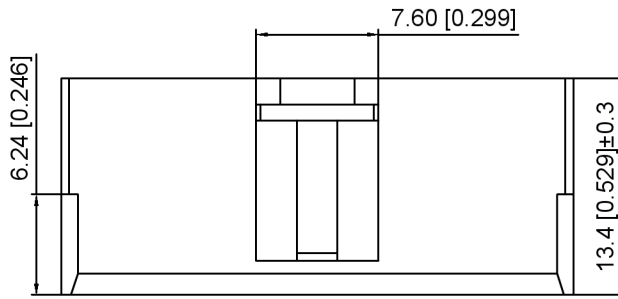
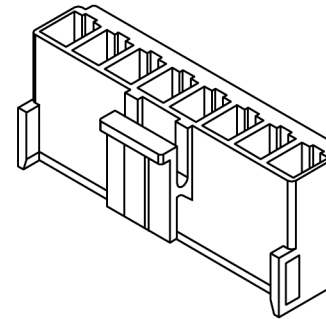
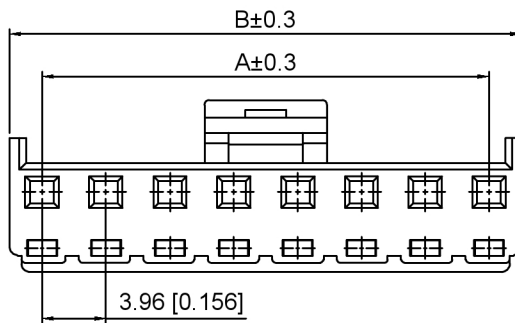
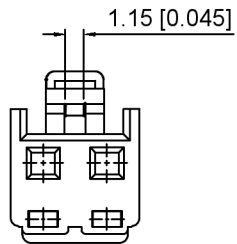
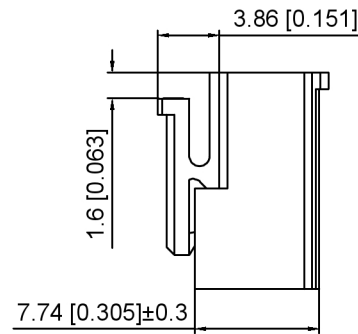


02 Pin



03 Pin以上



Specifications:

规格:

Voltage rating:250V AC/DC

额定电压: 250V AC/DC

Current rating:7A AC/DC

额定电流: 7A AC/DC

Withstanding voltage:1500V AC/minute

耐受电压: 1500V AC/分钟

Temperature range:-40℃~+125℃

温度范围:-40℃~+125℃

Insulation resistance:1000MΩ min

绝缘电阻: 1000MΩ Min

Contact resistance:10mΩ Max

接触电阻: 10mΩ Max

Material:过灼热丝85°

X9396 H - XX - N0 - U
① ② ③ ④ ⑤

1. Series No

2. Category:H-Housing

3. Row No.Pin No:XX-02~15P

4. Material:N0-PA66 UL94V-0

5. Social No:U- upgraded version

Poles	Dimensions(mm)		Poles	Dimensions(mm)	
	A	B		A	B
02	3.96	8.02	09	31.68	35.74
03	7.92	11.98	10	35.64	39.70
04	11.88	15.94	11	39.60	43.66
05	15.84	19.90	12	43.56	47.62
06	19.80	23.86	13	47.52	51.58
07	23.76	27.82	14	51.48	55.54
08	27.72	31.78	15	55.44	59.50

X9396H-XX-N0-U	PA66	X9396W	X9396T
PART NO	Material	Suitable XKB Wafer	Suitable XKB Terminal

DSND	SCALE: N/A	MODEL TYPE:
DWN <td>VIEW: </td> <td>3.96mm Crimp Style Connector</td>	VIEW:	3.96mm Crimp Style Connector
CHKD <td>UNIT: mm/in</td> <td>PART NO.: X9396H-XX-N0-U</td>	UNIT: mm/in	PART NO.: X9396H-XX-N0-U
APPD <td>SIZE: A4</td> <td>DWG NO.: X-X9396H-XX-N0-U</td>	SIZE: A4	DWG NO.: X-X9396H-XX-N0-U
		WEIGHT SHEET REVISION
		1/1 A0



XKB INDUSTRIAL PRECISION CO., LIMITED

ANGLAR	±5°
L ≤ 4	±0.2
4 < L ≤ 16	±0.3
16 < L ≤ 63	±0.4
L > 63	±0.5
UNSPECIFIED TOLERANCES	

MARK	DESCRIPTION	DATE	REVISED	APPROVED
ΔX				
ΔX				
ΔX				
REVISIONS				