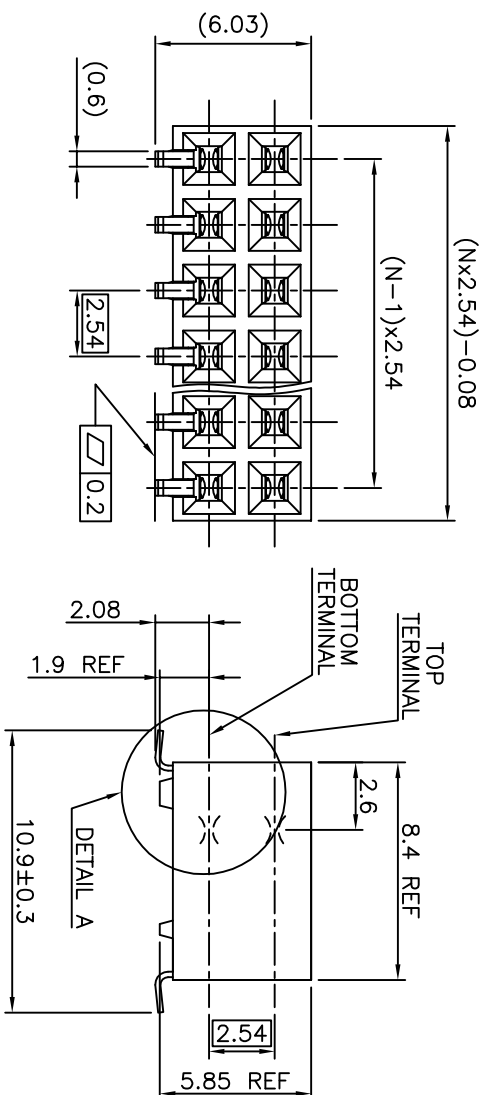


PRODUCT NUMBER
71609-XXXXLF

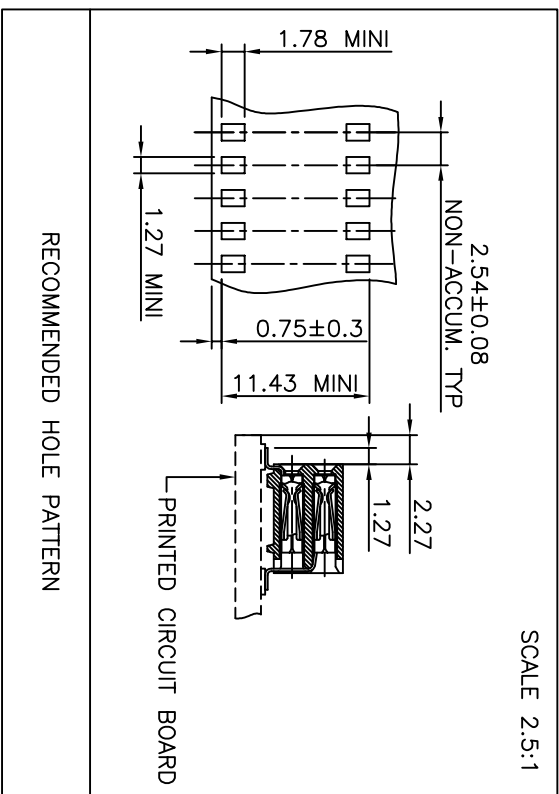
RoHS COMPATIBLE, SEE NOTE 6

OPTIONAL LETTER
A: PRODUCT PACKED IN TAPE & REEL, SEE TA856.
NUMBER OF POSITIONS PER ROW: 02 TO 40.

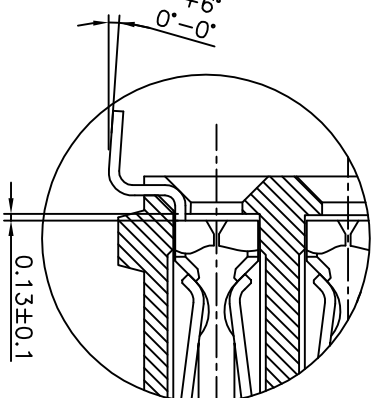
PLATING CODE
3 = 0.76µm GOLD ON CONTACT AREA.
2µm MIN MATTE TIN ON TAIL.
4 = 2µm MIN MATTE TIN FULL PLATED
8 = 0.38µm GOLD ON CONTACT AREA.
2µm MIN MATTE TIN ON TAIL.
1.27µm Ni MIN UNDERPLATING



DETAIL A
SCALE 20:1



SCALE 2.5:1



DETAIL A
SCALE 20:1

NOTES:

- 1 - HOUSING MAT'L: THERMOPLASTIC GLASS FILLED FLAME RETARDANT PER UL 94 V-0 COLOR: GREY.
- 2 - TERMINAL MATERIAL: PHOSPHOR BRONZE.
- 3 - 2 UP TO 4 POSITIONS PRODUCT PACKED IN PLASTIC BOX.
- 5 UP TO 40 POSITIONS PRODUCT PACKED IN TUBE.
- 4 - TO DETERMINE DIMENSIONS:
N = NUMBER OF POSITIONS PER ROW
EXAMPLE: 8 POS: (N x 2.54) - 0.08 = 20.24 mm
- 5 - RECOMMENDED IR PROFIL PER TA 842.
- 6 - RoHS COMPATIBLE PRODUCT SPECIFICATIONS
- d - PLATING:
- "LF" MEANS THE PRODUCT IS LEAD-FREE, 2µm MINIMUM MATTE TIN OVER 1.27µm MINIMUM NICKEL UNDERPLATE.
- b - MANUFACTURING PROCESS COMPATIBILITY
- THE HOUSING WILL WITHSTAND EXPOSURE TO 260°C PEAK TEMPERATURE FOR 30 SECONDS MAX IN A CONVECTION, INFRA-RED OR VAPOR PHASE OR REFLOW OVEN.
- c - LABELING:
- MEETS PACKAGING SPECS AS PER GS-14-920
- d - LEGAL STATEMENT: SEE GS-47-0004

mat'l. code	surface	tolerance	projection	product family
SEE NOTE 1	ISO 1302	ISO 406 ISO 1001	mm	DUBOX
ecr no	dr	date	ISO 406	ISO 1001
W F04-0347	DLE	04.11.08	40.3	
X F06-0204	DLE	06.06.10	linear	
Y B-17361	JCO	14.01.04	4#	
AA B-19123	LWU	14.10.21	dr	P.NIZZI
			engr	P NIZZI
			chr	JF NOTTEAU
			qppd	PNZ
				94.03.21
				99.06.08
				97.05.13
				99.06.08
sheet	revision			
index	sheet			
				title BtB RECEPT. HORIZ DR SMT product family DUBOX scale 10:1 type CUSTOMER Drawing
dwg no 71609 sheet 1 of 1 size A3				