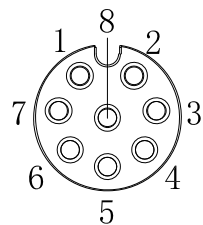
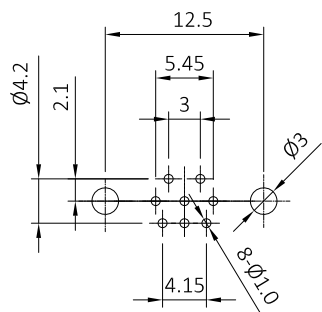
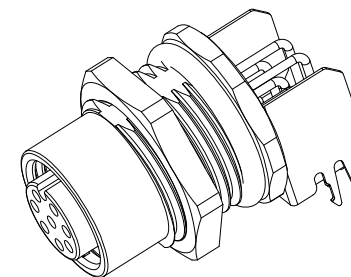
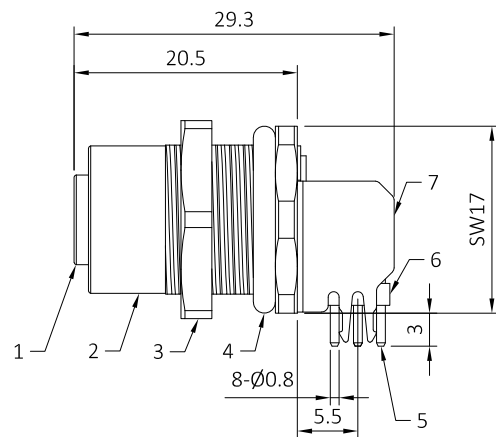
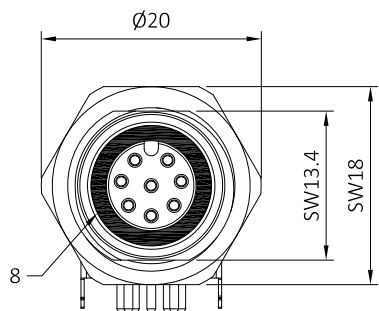




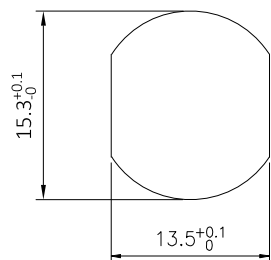
Product NO.		RHT-634-3201			
ISSUE	DESCRIPTION	DWN	DATE	APPROVEN	
R1.0	First issue	Ding	2022.10.06	JIM.KING	



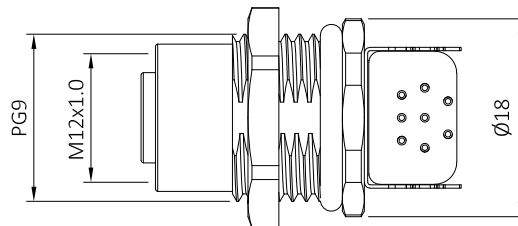
Pin Assignment Front View



PCB Layout



Recommended Panel cut-out



- Specifications:**
- 1.IP rating: IP67
 - 2.Ambient temperature: -25°C~+80°C
 - 3.Mating endurance: >500cycles
 - 4.Rated voltage: 60V AC/DC
 - 5.Rated current:4A
 - 6.Contact resistance: ≤5mΩ
 - 7.Insulation resistance: ≥ 100 MΩ

8	O-Ring	FKM,green	1
7	Shielded	Brass,Nikel-plated	1
6	Plastic parts	PA66,Black	1
5	Pin	Brass; Gold-plated	8
4	O-Ring	FKM, Black	1
3	Nut	Brass; Nickel plated	1
2	Body	M12 female Shell, Brass; Nickel plated	1
1	Housing	M12 8Pin female A-Coding,PA66,Black	1
No.	PART NAME	DESCRIPTION	Q'TY

-TOLERANCES- UNLESS OTHERWISE SPECIFIED	RENHOTEC GROUP					
	PART DESCRIPTION: R/A M12 A-code 8Pin Female PCB Socket					
UNLESS OTHERWISE SPECIFIED TOLERANCES FOR MILLIMETERS ARE: 0.5 - 8mm ± 0.20mm 8 - 30mm ± 0.25mm 30 - 120mm ± 0.30mm	Appr: JIM.KING	P/N: RHT-634-3201				
	Check:	Date	Scale	Unit	Type	Page
	Draw: DING	2022.10.06	Free	MM	Z	1/1