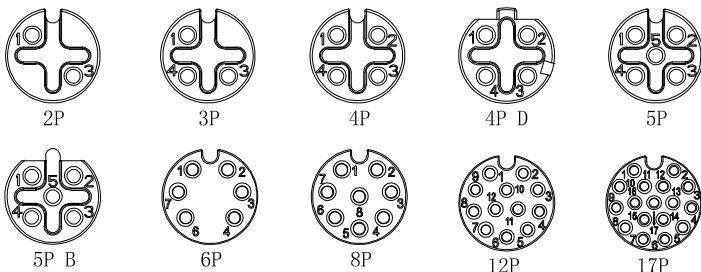


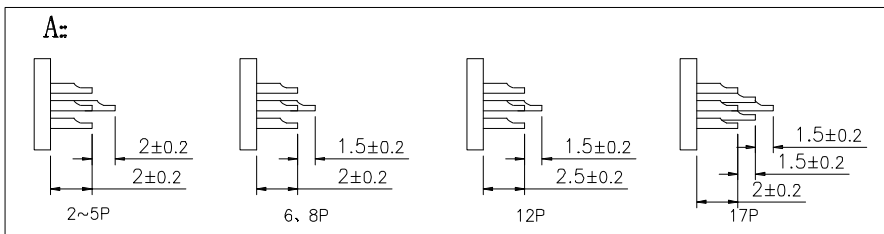
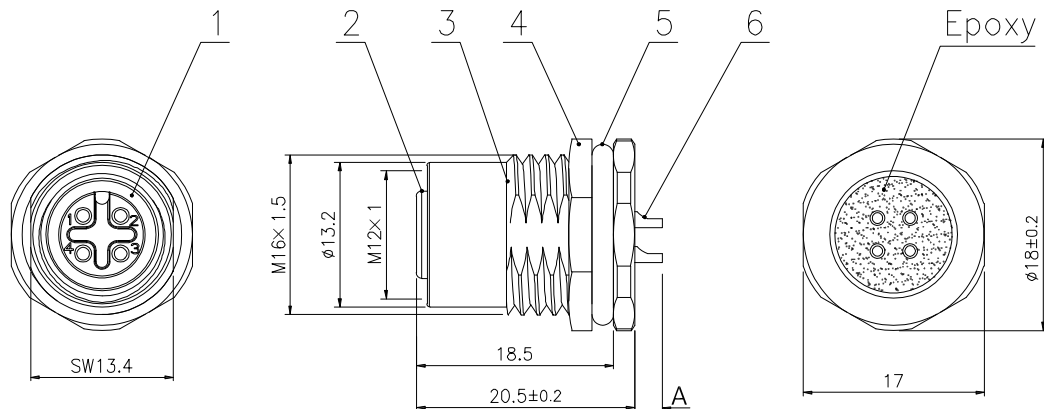
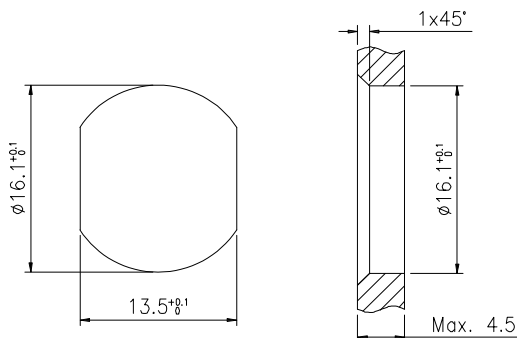
# Pin Layout



## Specifications

	Contacts	Product NO. RHT-634-3065										
		ISSUE R1.0						DESCRIPTION First issue		DWN Ding	DATE 2021/11/11	APPROVEN JIM.KING
		2	3	4	4D	5	5B	6	8	12	17	
Rated current/ Rated voltage		4A/250V	4A/250V	4A/250V	4A/250V	4A/60V	4A/60V	2A/30V	2A/30V	1.5A/30V	1.5A/3	
Rated pulse voltage		2500V	2500V	2500V	2500V	1500V	1500V	800V	800V	800V	800V	
Insulation resistance (MΩ)	≥100	≥100	≥100	≥100	≥100	≥100	≥100	≥100	≥100	≥100	≥10	
Contact resistance (mΩ)	≤5	≤5	≤5	≤5	≤5	≤5	≤5	≤5	≤5	≤5	≤5	

## Panel Cut-out Dimensions



6	Contacts	Brass	Gold plated	pc	2~17
5	O-ring	Rubber	/	pc	1
4	Nut	Brass	Nickel plated	pc	1
3	Body	Brass	Nickel plated	pc	1
2	Connector insert	PA66	/	pc	1
1	O-ring	Rubber	/	pc	1
No.	Specification	Material	Treat	Unit	O'tv

-TOLERANCES-  
UNLESS OTHERWISE  
SPECIFIED

UNLESS OTHERWISE SPECIFIED  
TOLERANCES FOR MILLIMETERS ARE:  
0.5 - 8mm ± 0.20mm  
8 - 30mm ± 0.25mm  
30 - 120mm ± 0.30mm

## RENHOTEC GROUP

PART DESCRIPTION:  
M12 Female, Panel Mount, Solder, Front fastened

Appr: JIM.KING  
Check: Date Scale Unit Type Page  
DING 2021.11.11 Free MM Z 1/1