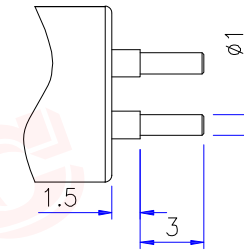
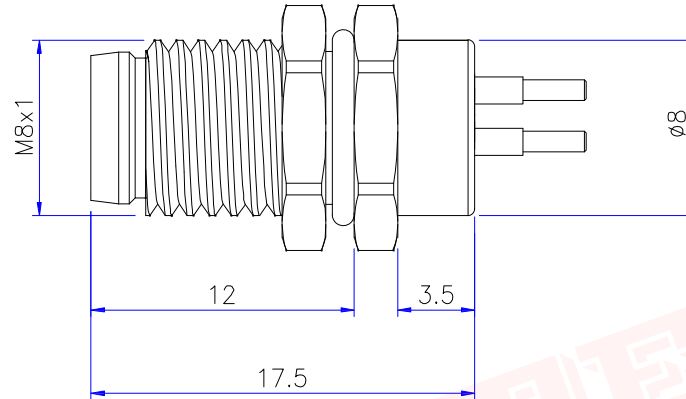
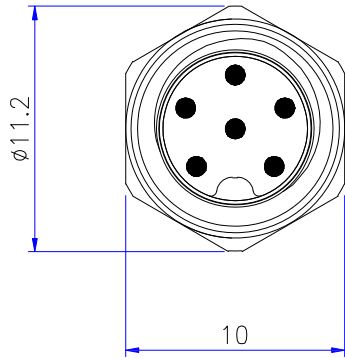
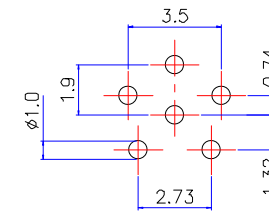
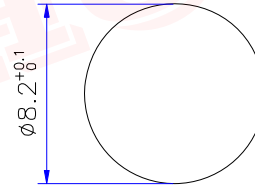
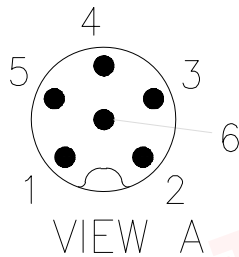




Product NO.		RHT-634-1218		
ISSUE	DESCRIPTION	DWN	DATE	APPROVEN
A	First issue	Gavin	2019/04/09	JIM. KING
B	M8 6P MALE Solder Pcb	Gavin	2019/04/09	JIM. KING



Solder Cup Extruded Dim.



P.C.B LAYOUT

Specifications

Connector locking system: Screw
 Termination: Solder
 Temperature range: -25°C ~ +80°C
 Mechanical mating: > 100

Contact resistance: ≤5mΩ
 Insulation resistance: >100 MΩ

Contact material: CuZn gold plated over nickel
 Insert material: PA66+GF
 Screw nut material: CuZn nickel plated
 Panel seal: NBR black

-TOLERANCES- UNLESS OTHERWISE SPECIFIED	RENHOTEC GROUP	
	PART DESCRIPTION: M8 6P MALE Solder Pcb Back Mount Connector	
UNLESS OTHERWISE SPECIFIED TOLERANCES FOR MILLIMETERS ARE: 0.5 - 8mm ± 0.20mm 8 - 30mm ± 0.25mm 30 - 120mm ± 0.30mm	Appr: JIM. KING	P/N: RHT-634-1218
	Check:	Date: 2019. 04. 10
Draw: Gavin	Scale: Free	Unit: MM
	Type: Z	Page: 1/1