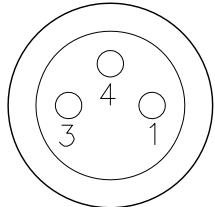
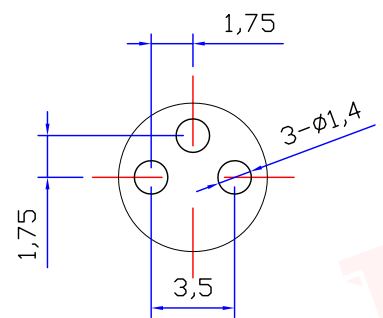




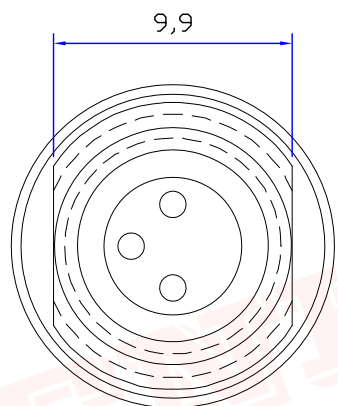
Product NO.		RHT-634-1097			
REV	DESCRIPTION	DWN	DATE	APPROVEN	
A	First issue	Gavin	2018/01/06	JIM.KING	



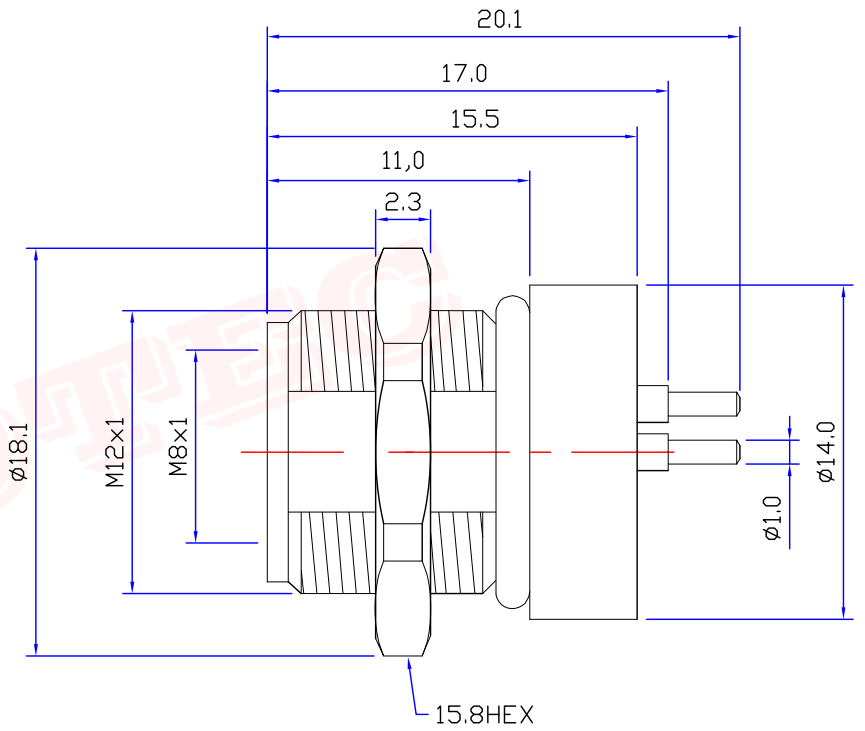
FEMALE END VIEW



PCB LAYOUT



END VIEW
LOCK NUT NOT SHOWN FOR CLARITY



SPECIFICATIONS:
 CONTACT CARRIER MATERIAL: NYLON OR TPU
 CONTACT MATERIAL/ PLATING: BRASS/GOLD
 HOUSING AND NUT MATERIAL/PLATING: BRASS/NICKEL
 RATED CURRENT [A]: 4.0A
 RATED VOLTAGE [V]: 30 V
 TEMPERATURE RANGE: -25 °C+85 °C(-13°F to+185°F)
 PROTECTION CLASS: MEETS NEMA IEC IP67

- TOLERANCES - UNLESS OTHERWISE SPECIFIED UNLESS OTHERWISE SPECIFIED TOLERANCES FOR MILLIMETERS ARE: 0.5 - 8mm ± 0.10mm 8 - 30mm ± 0.20mm 30 - 120mm ± 0.25mm	RENHOTEC GROUP www.renhotec.com		PART DESCRIPTION: M8 3P FEMALE PCB Mount Connector			
	Appd: JIM.KING		P/N: RHT-634-1097			
Check:	Date: 2018.01.06	Scale: Free	Unit: MM	Type: Z	Page: 1/1	
Draw: Gavin	Date: 2018.01.06	Scale: Free	Unit: MM	Type: Z	Page: 1/1	