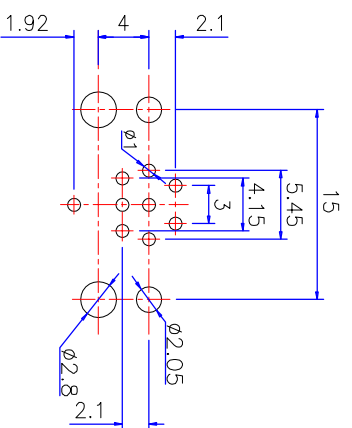
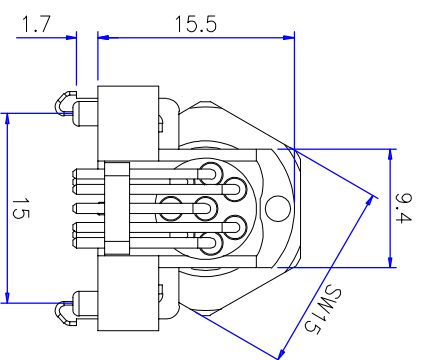
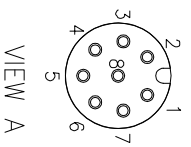
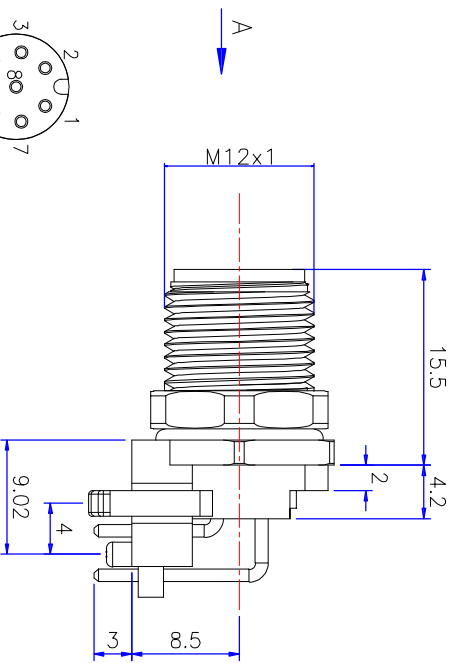




Product NO.		DOSIN-878-0033		
REV	DESCRIPTION	DWN	DATE	APPROVEN
A	First issue	Gavin	2020/11/24	John kine



General Specifications

Connector locking system: Screw
 Termination: Dip solder
 Type: Right angled
 Temperature range: -40°C ~ +85°C
 Mating cycles: > 200
 Coding: A
 Degree of protection: IP67 when mated
 Contact resistance: ≤5 mΩ
 Insulation resistance: ≥100 MΩ

Materials:

Contact: CuSn
 Contact plating: Gold plated
 Contact insert: PA66+GF UL94 black
 Shell A: CuZn nickel plated
 Shell B: CuZn nickel plated
 Sealing: NBR black
 Adhesive: Epoxy

NOTE:	Tolerance	0.5 - 8mm ± 0.15mm 8 - 30mm ± 0.20mm 30 - 120mm ± 0.30mm	Name:		M12 A Code 8Pin Male Mount Angled DIP Connector	
DRAWN Gavin	View		SIZE A	Product NO.	DOSIN-878-0033	REV A
CHECKED John kine	UNIT SCALE	MM 1:1	Date/Time	CAD FILE	D:\company drawings\BD	SHEET: 1 OF 1

DOSIN
 Dosin Industrial (H.K.) Co., Ltd
 东莞市德泰五金电子有限公司
 Dosin Hardware Electronics Co., Ltd
 dosin2005@dosin-china.com
 Web: http://www.china-guan.com
 TEL: (0086) 769-81153906
 FAX: (0086) 769-81875836