

**技术特性/Specifications:**

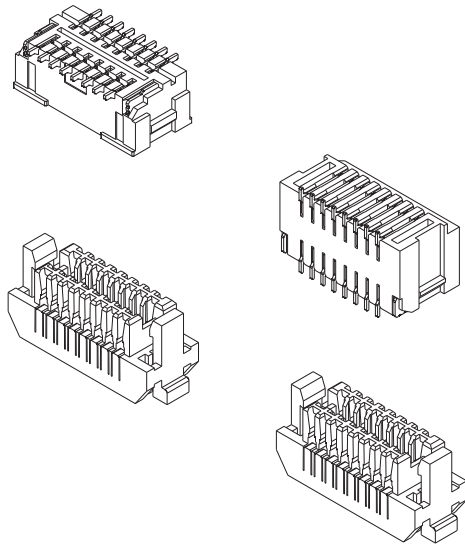
额定电压 Rated voltage: 50V AC, DC  
 额定电流 Rated current: 1A AC, DC  
 接触电阻 Contact resistance: 30mΩ max  
 绝缘电阻 Insulation resistance: 100MΩ min  
 耐压 Withstand voltage: 500V AC/minute  
 环境温度 Ambient temperature: -25°C~+85°C  
 适用线规 Wire range: AWG#32~#28

**标准/Standard:**



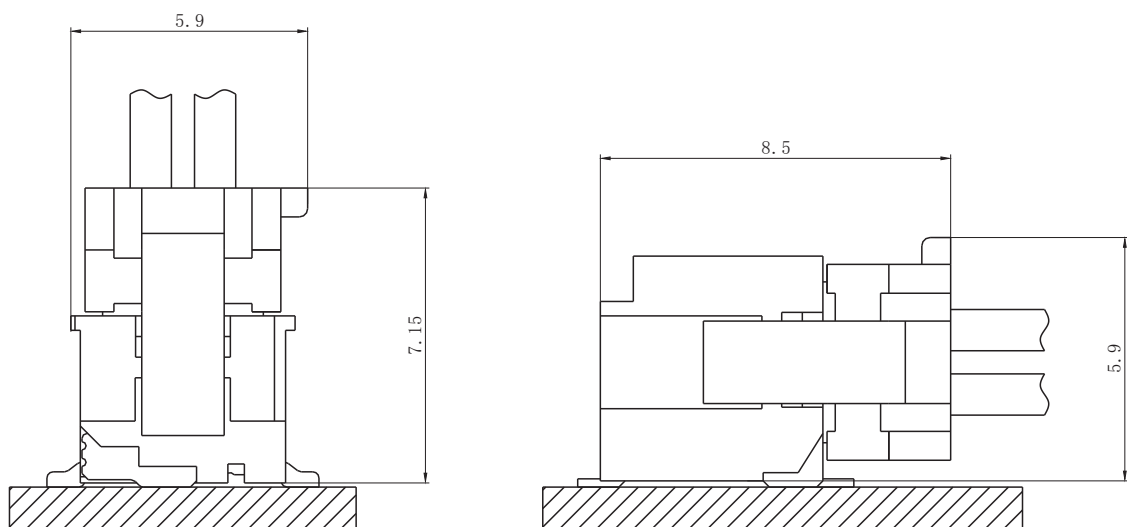
详细参数请咨询:

- E-mail: manager@zjdll.com
- E-mail: technical-support@zjdll.com
- WeChat: 13867778918



**PC电路板布局和组件布局 PC board layout and Assembly layout**

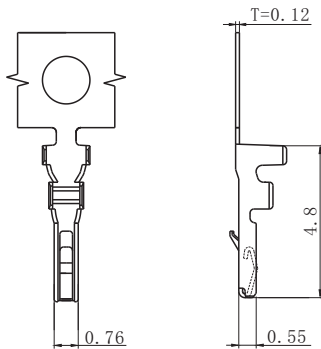
□ Assembly layout (装配布局)



上图为连接器安装侧观察图

Notes: The above figure is the figure viewed from the connector mounting side.

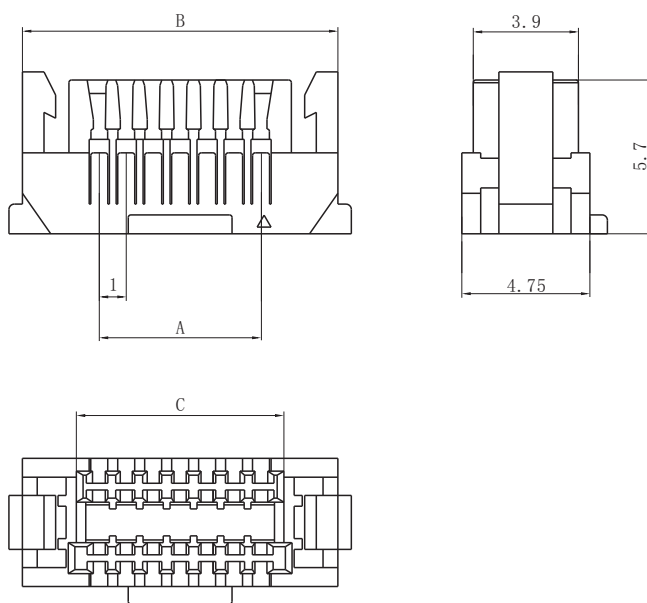
□ DL10009-T (SHC-T)



Model No. (型号)	Applicable wire (适用线规)			Material (材料)	Plating (电镀)	Qty/reel (数量/盘)
	mm <sup>2</sup>	AWG#	Insulation O.D. (绝缘外径mm)			
DL10009-T (SHC-T)	0.032~0.08	32~28	Φ 0.4~0.8	Phosphor bronze (磷青铜)	Tin Plated (镀锡)	15000

符合RoHS标准  
RoHS compliance

□ DL10009-Y (SHC-Y)



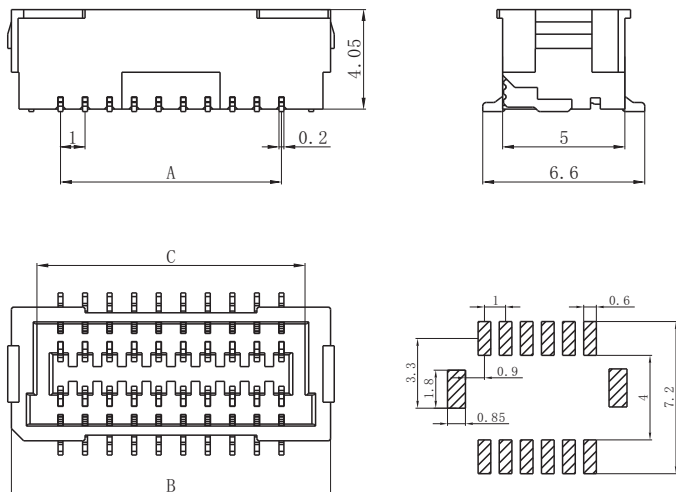
Circuits (电路)	Product name (产品名称)	Dimensions (尺寸mm)		
		A	B	C
2X2	SHC-4Y	1.00	6.70	2.70
2X3	SHC-6Y	2.00	7.70	3.70
2X4	SHC-8Y	3.00	8.70	4.70
2X5	SHC-10Y	4.00	9.70	5.70
2X6	SHC-12Y	5.00	10.70	6.70
2X7	SHC-14Y	6.00	11.70	7.70
2X8	SHC-16Y	7.00	12.70	8.70
2X9	SHC-18Y	8.00	13.70	9.70
2X10	SHC-20Y	9.00	14.70	10.70
2X11	SHC-22Y	10.00	15.70	11.70
2X12	SHC-24Y	11.00	16.70	12.70
2X13	SHC-26Y	12.00	17.70	13.70
2X14	SHC-28Y	13.00	18.70	14.70
2X15	SHC-30Y	14.00	19.70	15.70
2X16	SHC-32Y	15.00	20.70	16.70
2X17	SHC-34Y	16.00	21.70	17.70
2X18	SHC-36Y	17.00	22.70	18.70
~	~	~	~	~
2X30	SHC-60Y	29.00	34.70	30.70

Material (材料)

Housing (胶壳): Nylon (尼龙) UL94V-0 (2)

符合RoHS标准  
RoHS compliance

DL10009-AB (SHC-AB)



Circuits (电路)	Product name (产品名称)	Dimensions (尺寸mm)		
		A	B	C
2X2	SHC-4AB	1.00	5.00	2.90
2X3	SHC-6AB	2.00	6.00	3.90
2X4	SHC-8AB	3.00	7.00	4.90
2X5	SHC-10AB	4.00	8.00	5.90
2X6	SHC-12AB	5.00	9.00	6.90
2X7	SHC-14AB	6.00	10.00	7.90
2X8	SHC-16AB	7.00	11.00	8.90
2X9	SHC-18AB	8.00	12.00	9.90
2X10	SHC-20AB	9.00	13.00	10.90
2X11	SHC-22AB	10.00	14.00	11.90
2X12	SHC-24AB	11.00	15.00	12.90
2X13	SHC-26AB	12.00	16.00	13.90
2X14	SHC-28AB	13.00	17.00	14.90
2X15	SHC-30AB	14.00	18.00	15.90
2X16	SHC-32AB	15.00	19.00	16.90
2X17	SHC-34AB	16.00	20.00	17.90
2X18	SHC-36AB	17.00	21.00	18.90
~	~	~	~	~
2X30	SHC-60AB	29.00	33.00	30.90

Material (材料)

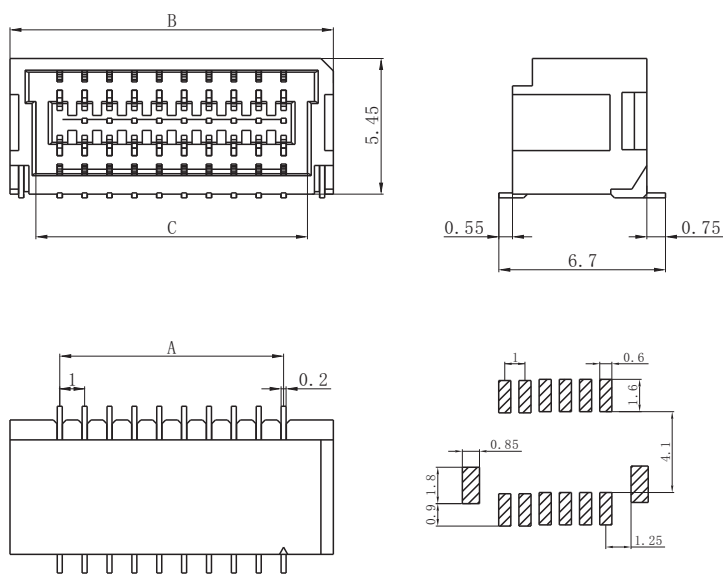
Housing (胶壳): LCP UL94V-0

Wafer (接触件): Phosphor bronze (磷青铜)/Tin plated (镀锡)

Solder tabs (焊片): Phosphor bronze (磷青铜)/Tin plated (镀锡)

符合RoHS标准  
RoHS compliance

DL10009-AWB (SHC-AWB)



Circuits (电路)	Product name (产品名称)	Dimensions (尺寸mm)		
		A	B	C
2X2	SHC-4AWB	1.00	5.50	2.90
2X3	SHC-6AWB	2.00	6.50	3.90
2X4	SHC-8AWB	3.00	7.50	4.90
2X5	SHC-10AWB	4.00	8.50	5.90
2X6	SHC-12AWB	5.00	9.50	6.90
2X7	SHC-14AWB	6.00	10.50	7.90
2X8	SHC-16AWB	7.00	11.50	8.90
2X9	SHC-18AWB	8.00	12.50	9.90
2X10	SHC-20AWB	9.00	13.50	10.90
2X11	SHC-22AWB	10.00	14.50	11.90
2X12	SHC-24AWB	11.00	15.50	12.90
2X13	SHC-26AWB	12.00	16.50	13.90
2X14	SHC-28AWB	13.00	17.50	14.90
2X15	SHC-30AWB	14.00	18.50	15.90
2X16	SHC-32AWB	15.00	19.50	16.90
2X17	SHC-34AWB	16.00	20.50	17.90
2X18	SHC-36AWB	17.00	21.50	18.90
~	~	~	~	~
2X30	SHC-60AWB	29.00	33.50	30.90

Material (材料)

Housing (胶壳): LCP UL94V-0

Wafer (接触件): Phosphor bronze (磷青铜)/Tin plated (镀锡)

Solder tabs (焊片): Phosphor bronze (磷青铜)/Tin plated (镀锡)

符合RoHS标准  
RoHS compliance