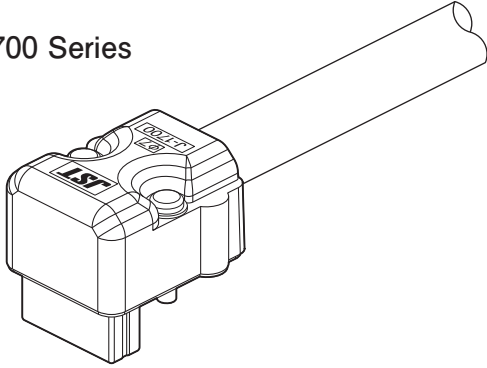


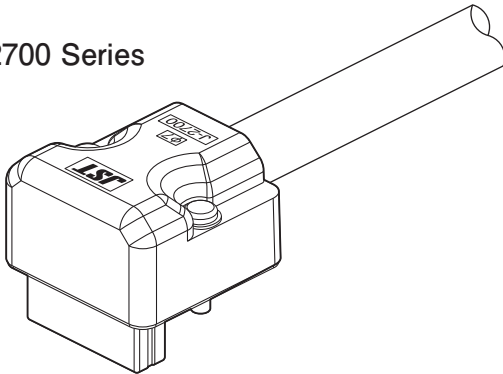
JFA CONNECTOR J1700/2700/3700 SERIES

Connector for motor

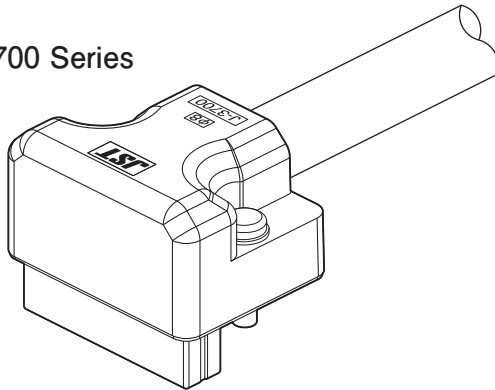
J1700 Series



J2700 Series



J3700 Series



- 6 circuit connector for power supply of servomotor
- Interchangeability with J1700M/2700M/3700M Series (EMI shielding product)

Standards

Ⓡ: Recognized E 60389

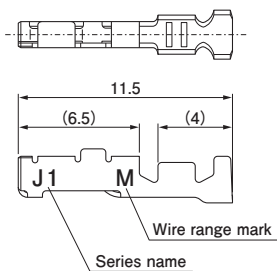
Specifications

- Current rating :
 - 5 A AC/DC J1700 Series 2.0 mm pitch
(When applying current to 3-circuit and using AWG #20.)
 - 7 A AC/DC J2700 Series 2.5 mm pitch
(When applying current to 3-circuit and using AWG #20.)
 - 10 A AC/DC J3700 Series 3.8 mm pitch
(When applying current to 3-circuit and using AWG #16.)
- Voltage rating: 250 V AC/DC
- Temperature range: -55°C to +105°C
(including temperature rise in applying electrical current)
- Applicable cable O.D.: $\phi 6 \pm 0.3$ mm (J1700 Series)
 $\phi 7 \pm 0.3$ mm (J1700/J2700 Series)
 $\phi 8 \pm 0.3$ mm (J3700 Series)
- Waterproof grade: JIS C 0920 Degree of protection 5
(Jet protection type)
[IPX5 of IEC 60529]
- * Model number of connector kits is only registered to UL standard. (Each part number except the receptacle contact is unregistered.)
- * In using the products, refer to "Handling Precaution for Terminals and Connectors" described on our website (Technical documents of Product information page).
- * RoHS2 Compliance
- * Dimensional unit: mm
- * Contact JST for details.

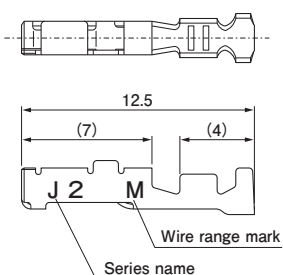
JFA CONNECTOR J1700/2700/3700 SERIES

Receptacle contact

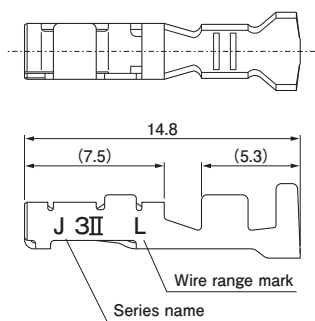
• J1000 Series



• J2000 Series



• J3000 Series



Series	Strip contact Model No.	Wire range mark	Applicable wire range		Insulation O.D. (mm)	Q'ty/ reel
			mm ²	AWG #		
J1000	SJ1F-002GF-P0.8	S	0.08 to 0.20	28 to 24	0.88 to 1.43	6,000
	SJ1F-01GF-P0.8	M	0.20 to 0.50	24 to 20	1.11 to 1.53	6,000
J2000	SJ2F-002GF-P1.0	S	0.08 to 0.20	28 to 24	0.88 to 1.43	6,000
	SJ2F-01GF-P1.0	M	0.20 to 0.50	24 to 20	1.11 to 1.53	6,000
J3000	SJ3F-002GF-P1.8	S	0.08 to 0.20	28 to 24	0.88 to 1.43	3,500
	SJ3F-01GF-P1.8	M	0.20 to 0.50	24 to 20	1.11 to 1.86	3,500
	SJ3F-41GF-P1.8	L	0.50 to 1.25	20 to 16	1.53 to 2.50	3,000

Material and Finish

Copper alloy (superior conductivity), nickel-undercoated, selective gold-plated

RoHS2 compliance

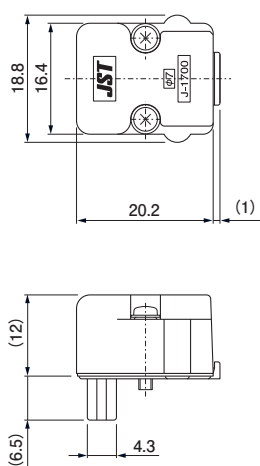
Note: Please note that the above applicable wire range may differ from the safety standards.

Crimping machine, Applicator

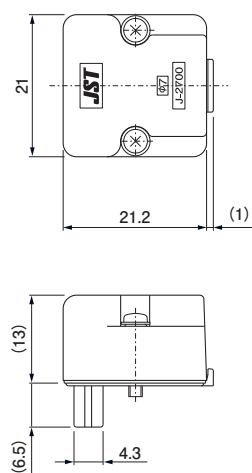
Series	Strip contact Model No.	Crimping machine	Crimp applicator	Applicator		Hand tools
				Dies	Crimp applicator with dies	
J1000	SJ1F-002GF-P0.8	AP-K2N	MKS-L	MK/SJ1F/M002-08	APLMK SJ1F/M002-08	YRS-8831
	SJ1F-01GF-P0.8			MK/SJ1F/M01-08	APLMK SJ1F/M01-08	YRS-8841
J2000	SJ2F-002GF-P1.0			MK/SF2F/M002-10	APLMK SF2F/M002-10	YRS-8851
	SJ2F-01GF-P1.0			MK/SF2F/M01-10	APLMK SF2F/M01-10	YRS-8861
J3000	SJ3F-002GF-P1.8			MK/SJ3F/M002-20	APLMK SJ3F/M002-20	YRF-882
	SJ3F-01GF-P1.8			MK/SJ3F/M01-20	APLMK SJ3F/M01-20	YRF-881
	SJ3F-41GF-P1.8			MK/SF3F/M41-20	APLMK SF3F/M41-20	YRF-880

Assembly layout

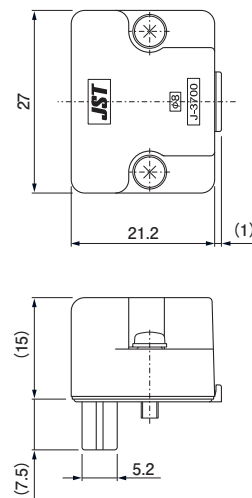
• J1700 Series



• J2700 Series

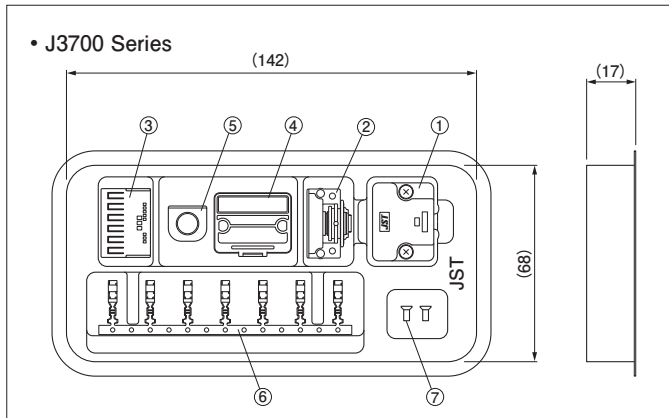
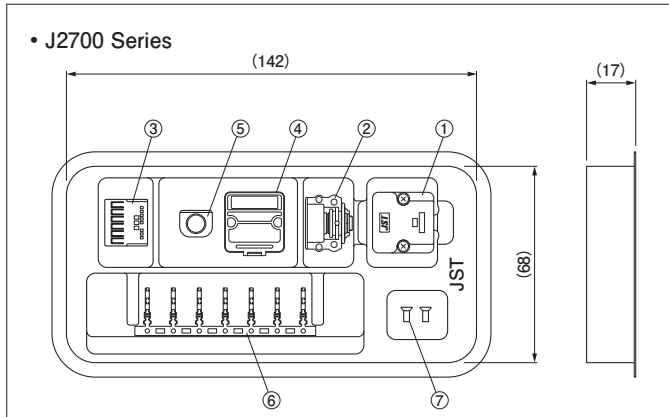
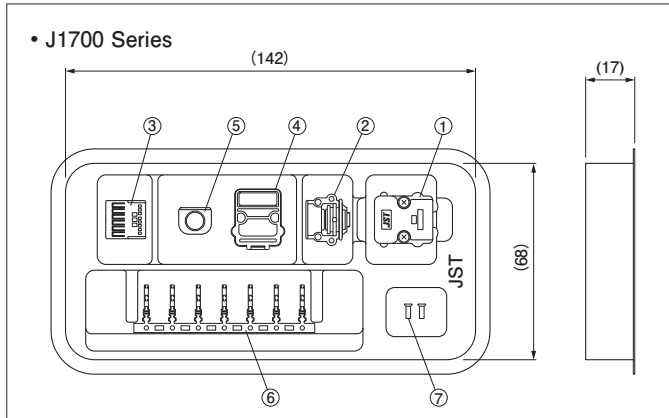


• J3700 Series



JFA CONNECTOR J1700/2700/3700 SERIES

Connector kits



Connector kits Model No.	Applicable cable O.D.	Wire range mark	Q'ty/box	No.	Part Name	Q'ty
J17-06FMH-6KL-1M-CF	φ6	M	13	①	Top cover assembly	1
				②	Bottom cover assembly	1
				③	Receptacle housing	1
				④	Seal rubber plate	1
J17-06FMH-7KL-1M-CF	φ7	M	13	⑤	Seal ring	1
				⑥	Receptacle contact	7
				⑦	Flat countersunk screw	2

RoHS2 compliance This product displays (PF) on a label.

Connector kits Model No.	Applicable cable O.D.	Wire range mark	Q'ty/box	No.	Part Name	Q'ty
J27-06FMH-7KL-1M-CF	φ7	M	13	①	Top cover assembly	1
				②	Bottom cover assembly	1
				③	Receptacle housing	1
				④	Seal rubber plate	1
				⑤	Seal ring	1
				⑥	Receptacle contact	7
				⑦	Flat countersunk screw	2

RoHS2 compliance This product displays (PF) on a label.

Connector kits Model No.	Applicable cable O.D.	Wire range mark	Q'ty/box	No.	Part Name	Q'ty
J37-06FMH-8KL-1M-CF	φ8	M	13	①	Top cover assembly	1
				②	Bottom cover assembly	1
				③	Receptacle housing	1
				④	Seal rubber plate	1
J37-06FMH-8KL-1L-CF	φ8	L	13	⑤	Seal ring	1
				⑥	Receptacle contact	7
				⑦	Flat countersunk screw	2

RoHS2 compliance This product displays (PF) on a label.

Connector parts

Components	J1700 Series				J2700 Series				J3700 Series			
	Model No.	Applicable cable O.D.	Wire range mark	Q'ty/box	Model No.	Applicable cable O.D.	Wire range mark	Q'ty/box	Model No.	Applicable cable O.D.	Wire range mark	Q'ty/box
Top cover assembly (Note3)	* J17-7TCA-KR-CF	φ7	—	180	* J27-7TCA-KR-CF	φ7	—	165	* J37-8TCA-KR-CF	φ8	—	120
Bottom cover assembly	* J17-7BCA-KR	φ7	—	504	* J27-7BCA-KR	φ7	—	462	* J37-8BCA-KR	φ8	—	315
Receptacle housing	* J1FSN-06V-K	—	—	350	* J2FSN-06V-K	—	—	300	* J3FSN-06V-K	—	—	150
Seal rubber plate	* J1SP-KN-1	—	—	350	* J2SP-KN-1	—	—	400	* J3SP-KN-1	—	—	300
Seal ring	* JSR-7KN-1	φ7	—	1,000 (bag)	* JSR-7KN-1	φ7	—	1,000 (bag)	* JSR-8KN-1	φ8	—	600 (bag)
Receptacle contact	SJ1F-002GF-P0.8	—	S	6,000 (reel)	SJ2F-002GF-P1.0	—	S	6,000 (reel)	SJ3F-002GF-P1.8	—	S	3,500 (reel)
	SJ1F-01GF-P0.8	—	M	—	SJ2F-01GF-P1.0	—	M	—	SJ3F-01GF-P1.8	—	M	3,000 (reel)
	—	—	—	—	—	—	—	—	SJ3F-41GF-P1.8	—	L	3,000 (reel)
Flat countersunk screw	* PM1.6-5KZ-CF	—	—	10,000	* PM2-5KZ-CF	—	—	6,000	* PM2-5KZ-CF	—	—	6,000

RoHS2 compliance

Note:1. *Marked products are unlisted in UL.

2. The J1700 series (Applicable cable O.D.: φ6 product) is only available to the connector kit.

3. This product displays (PF) on a label.

JFA CONNECTOR J1700/2700/3700 SERIES

Model number allocation

Receptacle contact

S J1 F - 01 GF - P 08

Form: S...Strip form

Series name: J1...J1000, J2...J2000, J3...J3000

Type of terminal: F...Receptacle contact

Applicable wire range: 01...AWG #24 to #20
41...AWG #20 to #16

Surface finish: GF...Nickel-undercoated,
0.38 μm selective gold-plated

Material: P...Copper alloy

Terminal size: 0.8...J1000, 1.0...J2000, 1.8...J3000

Kit

J17 - 06 FMH - 7 K L - 1 M - CF

Series name: J17...J1700,
J27...J2700, J37...J3700

No. of circuits: 6

Part name

Applicable cable O.D.: 6...φ6, 7...φ7, 8...φ8

Color: K...Black

Packaging form: L...Tray for kit

Supplementary symbol

Wire range mark: S...S type, M...M type, L...L type

Hexavalent chromium free

Top cover assembly

J17 - 7 TCA - K R - CF

Series name:
J17...J1700, J27...J2700, J37...J3700

Applicable cable O.D.: 7...φ7, 8...φ8

Part name

Color: K...Black

Packaging form: R...Tray

Hexavalent chromium free

Bottom cover assembly

J17 - 7 BCA - K R

Series name:
J17...J1700, J27...J2700, J37...J3700

Applicable cable O.D.: 7...φ7, 8...φ8

Part name

Color: K...Black

Packaging form: R...Tray

Receptacle housing

J1 F S N - 06 V - K

Series name: J1...J1700, J2...J2700, J3...J3700

Part name

Rows: S...Single-row

Mounting arrangement: N...Non-locking type

No. of circuits: 6

Flammability: V...VL94V-0

Color: K...Black

Seal rubber plate

J1 SP - K N - 1

Series name: J1...J1700, J2...J2700, J3...J3700

Part name

Color: K...Black

Material

Supplementary symbol

Seal ring

J SR - 7 K N - 1

Series name

Part name

Applicable cable O.D.: 7...φ7, 8...φ8

Color: K...Black

Material

Supplementary symbol

Flat countersunk screw

P M1.6 - 5 K Z - CF

Part name

Screw size: M1.6...M1.6 screw, M2...M2 screw

Screw length: 5... 5 mm

Color: K...Black

Surface finish: Z...Chromate treatment

Hexavalent chromium free