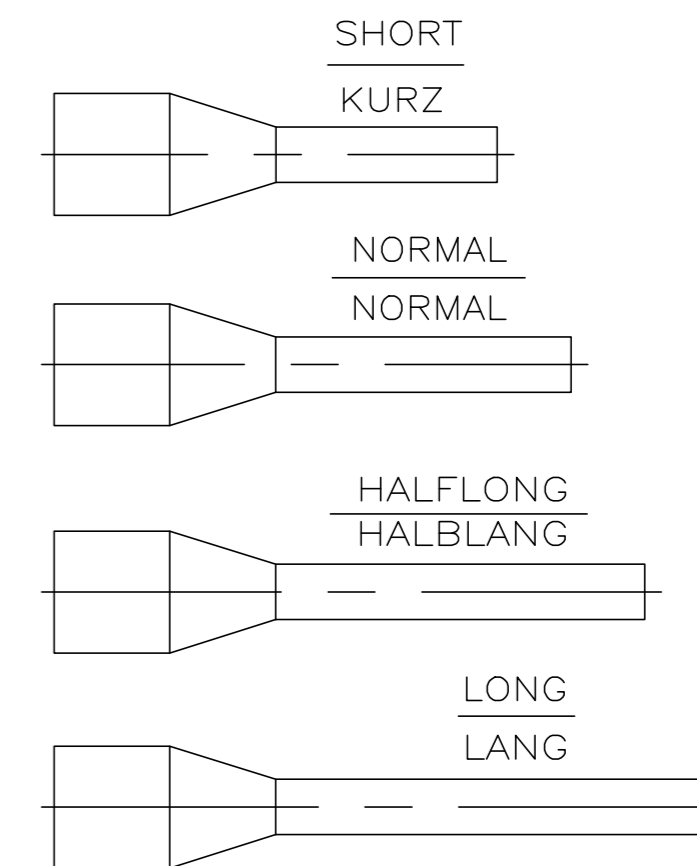
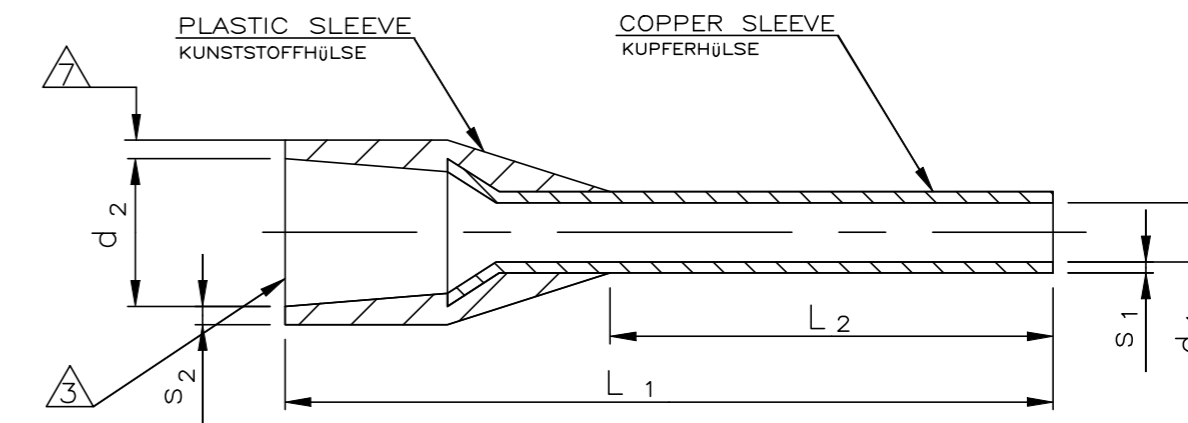


REVISIONS					
P	LTR	DESCRIPTION	DATE	DWN	APVD
	B5	PART NUMBER STATUS UPDATED	17FEB2014	KJK	JK
	B6	ECO-19-003069	01OCT2019	RS	DR

ORDER NO. BESTELL-NR.	CROSS SECTION QUERSCHNITT		STRIP LENGTH ABISOLIER-LÄNGE	TYPE AUSFÜHRUNG	COLOUR FARBE	L <sub>1</sub> /mm	L <sub>2</sub> /mm	d <sub>1</sub> /mm	s <sub>1</sub> /mm	d <sub>2</sub> /mm	s <sub>2</sub> /mm	PACKING UNIT VERPACKUNGSEINHEIT PARTS/STÜCK BAG/BEUTEL
	mm <sup>2</sup>	AWG										
966 067-1	0.50	20	8	SHORT KURZ	WHITE WEIß	12.0 ±1.5	6.0 ±0.4	1.0 +0.14	0.15 ±0.05	2.6 ±0.2	0.25 ±0.10	500
966 067-2	0.50	20	10	NORMAL NORMAL	WHITE WEIß	14.0 ±1.5	8.0 ±0.4	1.0 +0.14	0.15 ±0.05	2.6 ±0.2	0.25 ±0.10	500
966 067-3	0.50	20	12	HALFLONG HALBLANG	WHITE WEIß	16.0 ±1.5	10.0 ±0.4	1.0 +0.14	0.15 ±0.05	2.6 ±0.2	0.25 ±0.10	500
966 067-4	0.75	18	8	SHORT KURZ	GREY GRAU	12.0 ±1.5	6.0 ±0.4	1.2 +0.14	0.15 ±0.05	2.8 ±0.2	0.25 ±0.10	500
966 067-5	0.75	18	10	NORMAL NORMAL	GREY GRAU	14.0 ±1.5	8.0 ±0.4	1.2 +0.14	0.15 ±0.05	2.8 ±0.2	0.25 ±0.10	500
966 067-6	0.75	18	12	HALFLONG HALBLANG	GREY GRAU	16.0 ±1.5	10.0 ±0.4	1.2 +0.14	0.15 ±0.05	2.8 ±0.2	0.25 ±0.10	500
966 067-7	0.75	18	14	LONG LANG	GREY GRAU	18.0 ±1.5	12.0 ±0.6	1.2 +0.14	0.15 ±0.05	2.8 ±0.2	0.25 ±0.10	500
966 067-8	1.00	17	8	SHORT KURZ	RED ROT	12.0 ±1.5	6.0 ±0.4	1.4 +0.14	0.15 ±0.05	3.0 ±0.2	0.25 ±0.10	500
966 067-9	1.00	17	10	NORMAL NORMAL	RED ROT	14.0 ±1.5	8.0 ±0.4	1.4 +0.14	0.15 ±0.05	3.0 ±0.2	0.25 ±0.10	500
1-966 067-0	1.00	17	12	HALFLONG HALBLANG	RED ROT	16.0 ±1.5	10.0 ±0.4	1.4 +0.14	0.15 ±0.05	3.0 ±0.2	0.25 ±0.10	500
1-966 067-1	1.00	17	14	LONG LANG	RED ROT	18.0 ±1.5	12.0 ±0.6	1.4 +0.14	0.15 ±0.05	3.0 ±0.2	0.25 ±0.10	500
1-966 067-2	1.50	16	10	NORMAL NORMAL	BLACK SCHWARZ	14.0 ±1.5	8.0 ±0.4	1.7 +0.25	0.15 ±0.05	3.5 ±0.2	0.25 ±0.10	500
1-966 067-3	1.50	16	12	HALFLONG HALBLANG	BLACK SCHWARZ	16.0 ±1.5	10.0 ±0.4	1.7 +0.25	0.15 ±0.05	3.5 ±0.2	0.25 ±0.10	500
1-966 067-4	1.50	16	14	HALFLONG+ HALBLANG+	BLACK SCHWARZ	18.0 ±1.5	12.0 ±0.6	1.7 +0.25	0.15 ±0.05	3.5 ±0.2	0.25 ±0.10	500
1-966 067-6	2.50	14	10	NORMAL NORMAL	BLUE BLAU	14.0 ±1.5	8.0 ±0.4	2.2 +0.25	0.15 ±0.05	4.2 ±0.2	0.25 ±0.10	500
1-966 067-7	2.50	14	14	HALFLONG HALBLANG	BLUE BLAU	18.0 ±1.5	12.0 ±0.6	2.2 +0.25	0.15 ±0.05	4.2 ±0.2	0.25 ±0.10	500
1-966 067-8	2.50	14	20	LONG LANG	BLUE BLAU	24.0 ±2.0	18.0 ±0.6	2.2 +0.25	0.15 ±0.05	4.2 ±0.2	0.25 ±0.10	500
1-966 067-9	4.00	11	12	NORMAL NORMAL	GREY GRAU	17.0 ±1.5	10.0 ±0.4	2.8 +0.25	0.20 ±0.05	4.8 ±0.4	0.30 ±0.10	500
2-966 067-0	4.00	11	14	HALFLONG HALBLANG	GREY GRAU	20.0 ±1.5	12.0 ±0.6	2.8 +0.25	0.20 ±0.05	4.8 ±0.4	0.30 ±0.10	500
2-966 067-1	4.00	11	20	LONG LANG	GREY GRAU	26.0 ±2.0	18.0 ±0.6	2.8 +0.25	0.20 ±0.05	4.8 ±0.4	0.30 ±0.10	100
2-966 067-2	6.00	10	14	NORMAL NORMAL	YELLOW GELB	20.0 ±1.5	12.0 ±0.6	3.5 +0.30	0.20 ±0.05	6.3 ±0.4	0.30 ±0.10	100
2-966 067-3	6.00	10	20	LONG LANG	YELLOW GELB	26.0 ±2.0	18.0 ±0.6	3.5 +0.30	0.20 ±0.05	6.3 ±0.4	0.30 ±0.10	100
2-966 067-4	10.00	7	15	NORMAL NORMAL	RED ROT	22.0 ±2.0	12.0 ±0.6	4.5 +0.30	0.20 ±0.05	7.6 ±0.4	0.40 ±0.15	100
2-966 067-5	10.00	7	21	LONG LANG	RED ROT	28.0 ±2.0	18.0 ±0.6	4.5 +0.30	0.20 ±0.05	7.6 ±0.4	0.40 ±0.15	100
2-966 067-6	16.00	5	15	NORMAL NORMAL	BLUE BLAU	24.0 ±2.0	12.0 ±0.6	5.8 +0.30	0.20 ±0.05	8.8 ±0.4	0.40 ±0.15	100
2-966 067-7	16.00	5	21	LONG LANG	BLUE BLAU	28.0 ±2.0	18.0 ±0.6	5.8 +0.30	0.20 ±0.05	8.8 ±0.4	0.40 ±0.15	100



- ① THE AWG CROSS-SECTION CAN SLIGHT DEVIATING OF THE DIN-STANDARD CROSS-SECTION VALUES
  - ② RECOMMENDED STRIP LENGTH
  - ③ MAX. INSULATION-DIA. OF WIRE: d<sub>2</sub> MIN.- 0.1
  - ④ TUBULAR END-SLEEVE WITH PLASTIC SLEEVE ACCORDING TO DIN 46228 PART 4
  - + SPECIAL
  - 5. USE HAND TOOL 539660-1
  - 6. NOTE DELETED.
  - △ LENGTH "L1" INCLUDES MOLDING FLASH PRESENT IN THIS ZONE.
- ① DER AWG-QUERSCHNITT KANN VON DEN DIN-NORM QUERSCHNITTSWERTEN GERINGFÜGIG ABWEICHEN.
  - ② EMPFOHLENE ABISOLIERLÄNGE
  - ③ MAX. ISOLATIONS-Ø DER LEITUNG: d<sub>2</sub> MIN.- 0.1
  - ④ ADERENDHÜLSE MIT KUNSTSTOFFHÜLSE NACH DIN 46228 TEIL 4
  - + SPEZIAL
  - 5. BENUTZEN SIE HANDWERKZEUG 539660-1

THIS DRAWING IS A CONTROLLED DOCUMENT.		DWN R. SCHMIDT 13NOV1996		
DIMENSIONS: mm		CHK W. BOCK 13NOV1996		
TOLERANCES UNLESS OTHERWISE SPECIFIED:		APVD G. FELDMEIER 13NOV1996	NAME TUBULAR END-SLEEVE WITH PLASTIC SLEEVE ADERENDHÜLSE MIT KUNSTSTOFFHÜLSE	
0 PLC ± - 1 PLC ± - 2 PLC ± - 3 PLC ± - 4 PLC ± - ANGLES ± -		PRODUCT SPEC APPLICATION SPEC	SIZE A2	
MATERIAL -		WEIGHT -	CAGE CODE 00779	DRAWING NO. G=966067
		CUSTOMER DRAWING		RESTRICTED TO -
		SCALE 1:1		SHEET 1 of 1
				REV B6