

T-43-15-00

LS125A



54LS125A/DM54LS125A/DM74LS125A Quad TRI-STATE® Buffers

General Description

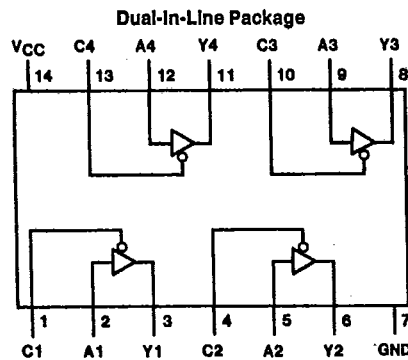
This device contains four independent gates each of which performs a non-inverting buffer function. The outputs have the TRI-STATE feature. When enabled, the outputs exhibit the low impedance characteristics of a standard LS output with additional drive capability to permit the driving of bus lines without external resistors. When disabled, both the output transistors are turned off presenting a high-impedance state to the bus line. Thus the output will act neither as a significant load nor as a driver. To minimize the possibility

that two outputs will attempt to take a common bus to opposite logic levels, the disable time is shorter than the enable time of the outputs.

Features

- Alternate Military/Aerospace device (54LS125) is available. Contact a National Semiconductor Sales Office/Distributor for specifications.

Connection Diagram



TL/F/6387-1

Order Number 54LS125ADMQB, 54LS125AFMQB, 54LS125ALMQB,
DM54LS125AJ, DM54LS125AW, DM74LS125AM or DM74LS125AN
See NS Package Number E20A, J14A, M14A, N14A or W14B

Function Table

$$Y = A$$

| Inputs | | Output |
|--------|---|--------|
| A | C | Y |
| L | L | L |
| H | L | H |
| X | H | HI-Z |

H = High Logic Level
L = Low Logic Level
X = Either Low or High Logic Level
HI-Z = TRI-STATE (Outputs are disabled)



LS125A

Absolute Maximum Ratings (Note)

T-43-15

If Military/Aerospace specified devices are required, please contact the National Semiconductor Sales Office/Distributors for availability and specifications.

Note: The "Absolute Maximum Ratings" are those values beyond which the safety of the device cannot be guaranteed. The device should not be operated at these limits. The parametric values defined in the "Electrical Characteristics" table are not guaranteed at the absolute maximum ratings. The "Recommended Operating Conditions" table will define the conditions for actual device operation.

| | |
|--------------------------------------|-----------------|
| Supply Voltage | 7V |
| Input Voltage | 7V |
| Operating Free Air Temperature Range | |
| DM54LS and 54LS | -55°C to +125°C |
| DM74LS | 0°C to +70°C |
| Storage Temperature Range | -65°C to +150°C |

Recommended Operating Conditions

| Symbol | Parameter | DM54LS125A | | | DM74LS125A | | | Units |
|-----------------|--------------------------------|------------|-----|-----|------------|-----|------|-------|
| | | Min | Nom | Max | Min | Nom | Max | |
| V _{CC} | Supply Voltage | 4.5 | 5 | 5.5 | 4.75 | 5 | 5.25 | V |
| V _{IH} | High Level Input Voltage | 2 | | | 2 | | | V |
| V _{IL} | Low Level Input Voltage | | | 0.7 | | | 0.8 | V |
| I _{OH} | High Level Output Current | | | -1 | | | -2.6 | mA |
| I _{OL} | Low Level Output Current | | | 12 | | | 24 | mA |
| T _A | Free Air Operating Temperature | -55 | | 125 | 0 | | 70 | °C |

Electrical Characteristics over recommended operating free air temperature range (unless otherwise noted)

| Symbol | Parameter | Conditions | Min | Typ (Note 1) | Max | Units |
|------------------|---|--|------|--------------|------|-------|
| V _I | Input Clamp Voltage | V _{CC} = Min, I _I = -18 mA | | | -1.5 | V |
| V _{OH} | High Level Output Voltage | V _{CC} = Min, I _{OH} = Max V _{IL} = Max, V _{IH} = Min | 2.4 | 3.4 | | V |
| V _{OL} | Low Level Output Voltage | V _{CC} = Min, I _{OL} = Max | DM54 | 0.25 | 0.4 | V |
| | | V _{IL} = Max | DM74 | 0.35 | 0.5 | |
| | | I _{OL} = 12 mA, V _{CC} = Min | DM74 | 0.25 | 0.4 | |
| I _I | Input Current @ Max Input Voltage | V _{CC} = Max, V _I = 7V | | | 0.1 | mA |
| I _{IH} | High Level Input Current | V _{CC} = Max, V _I = 2.7V | | | 20 | μA |
| I _{IL} | Low Level Input Current | V _{CC} = Max, V _I = 0.4V | | | -0.4 | mA |
| I _{ozH} | Off-State Output Current with High Level Output Voltage Applied | V _{CC} = Max, V _O = 2.4V V _{IH} = Min, V _{IL} = Max | | | 20 | μA |
| I _{ozL} | Off-State Output Current with Low Level Output Voltage Applied | V _{CC} = Max, V _O = 0.4V V _{IH} = Min, V _{IL} = Max | | | -20 | μA |
| I _{os} | Short Circuit Output Current | V _{CC} = Max (Note 2) | DM54 | -20 | -100 | mA |
| | | | DM74 | -20 | -100 | |
| I _{CC} | Supply Current | V _{CC} = Max (Note 3) | | 11 | 20 | mA |

Note 1: All typicals are at V_{CC} = 5V, T_A = 25°C.

Note 2: Not more than one output should be shorted at a time, and the duration should not exceed one second.

Note 3: I_{CC} is measured with the data control (C) inputs at 4.5V and the data inputs grounded.

T-43-15

Switching Characteristics at $V_{CC} = 5V$ and $T_A = 25^\circ C$ (See Section 1 for Test Waveforms and Output Load)

LS125A

| Symbol | Parameter | $R_L = 667\Omega$ | | | | Units |
|-----------|---|----------------------|-----|-----------------------|-----|-------|
| | | $C_L = 50\text{ pF}$ | | $C_L = 150\text{ pF}$ | | |
| | | Min | Max | Min | Max | |
| t_{PLH} | Propagation Delay Time Low to High Level Output | | 15 | | 21 | ns |
| t_{PHL} | Propagation Delay Time High to Low Level Output | | 18 | | 22 | ns |
| t_{pZH} | Output Enable Time to High Level Output | | 25 | | 35 | ns |
| t_{pZL} | Output Enable Time to Low Level Output | | 25 | | 40 | ns |
| t_{PHZ} | Output Disable Time from High Level Output (Note 1) | | 20 | | | ns |
| t_{PLZ} | Output Disable Time from Low Level Output (Note 1) | | 20 | | | ns |

Note 1: $C_L = 5\text{ pF}$.

2*