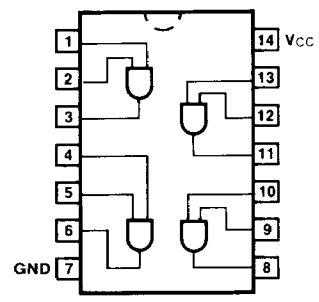


✓ 54/7408 011038
 ✓ 54H/74H08 011042
 ✓ 54S/74S08 011043
 ✓ 54LS/74LS08 011041
 QUAD 2-INPUT AND GATE

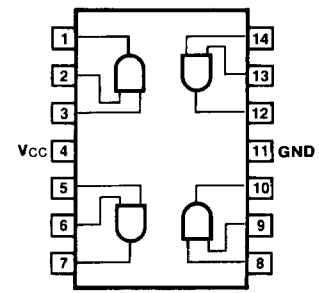
CONNECTION DIAGRAMS
PINOUT A



ORDERING CODE: See Section 9

PKGS	PIN OUT	COMMERCIAL GRADE	MILITARY GRADE	PKG TYPE
		V _{CC} = +5.0 V ±5%, T _A = 0°C to +70°C	V _{CC} = +5.0 V ±10%, T _A = -55°C to +125°C	
Plastic DIP (P)	A	7408PC, 74H08PC 74S08PC, 74LS08PC		9A
Ceramic DIP (D)	A	7408DC, 74H08DC 74S08DC, 74LS08DC	5408DM, 54H08DM 54S08DM, 54LS08DM	6A
Flatpak (F)	A	7408FC, 74S08FC 74LS08FC	5408FM, 54S08FM 54LS08FM	3I
	B	74H08FC	54H08FM	

PINOUT B



INPUT LOADING/FAN-OUT: See Section 3 for U.L. definitions

PINS	54/74 (U.L.) HIGH/LOW	54/74H (U.L.) HIGH/LOW	54/74S (U.L.) HIGH/LOW	54/74LS (U.L.) HIGH/LOW
Inputs	1.0/1.0	1.25/1.25	1.25/1.25	0.5/0.25
Outputs	20/10	12.5/12.5	25/12.5	10/5.0 (2.5)

DC AND AC CHARACTERISTICS: See Section 3*

SYMBOL	PARAMETER	54/74	54/74H	54/74S	54/74LS	UNITS	CONDITIONS
		Min Max	Min Max	Min Max	Min Max		
I _{CC} H	Power Supply	21	40	32	4.8	mA	V _{IN} = Open V _{CC} = Max
I _{CC} L	Current	33	64	57	8.8		V _{IN} = Gnd
t _{PLH}	Propagation Delay	27	12	2.5 7.0	13	ns	Fig. 3-1, 3-5
t _{PHL}		19	12	2.5 7.5	11		

*DC limits apply over operating temperature range; AC limits apply at T_A = +25°C and V_{CC} = +5.0 V.