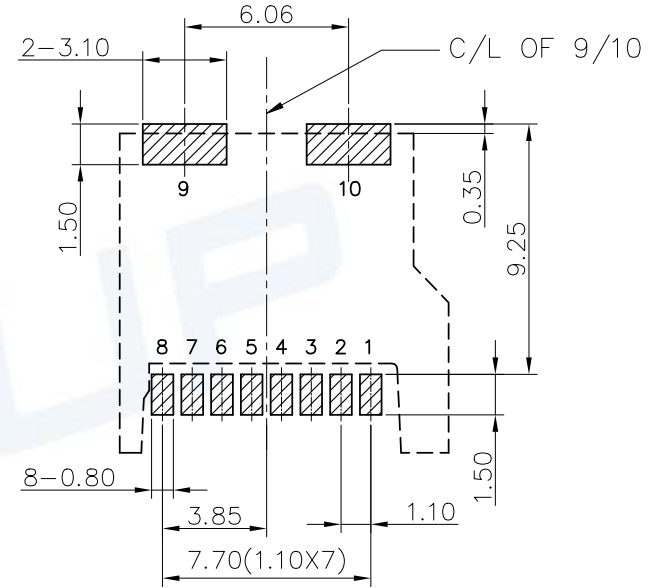
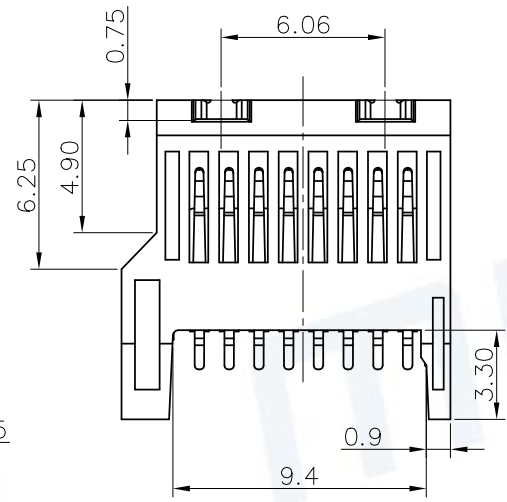
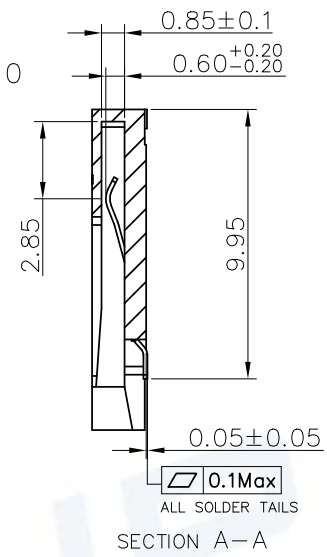
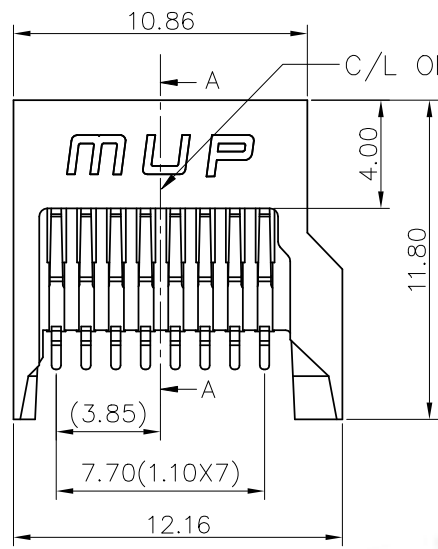
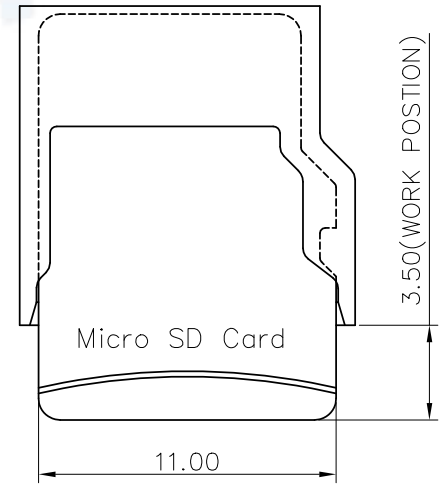
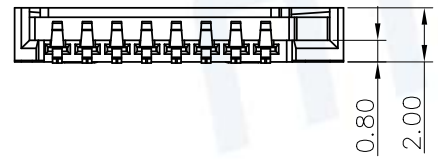


| REV. | DESCRIPTION OF REVISIONS | APPR. | CHKD. | DRAW. | DATE       |
|------|--------------------------|-------|-------|-------|------------|
| ①    | NEW                      |       |       | HUABO | 2021/9/7   |
| ②    | Original Model:M621-1    |       |       | HUABO | 2023/10/31 |



RECOMMENDED P.C.B LAYOUT  
COMPONENT SIDE(TOLERANCE ±0.05)



**TECHNICAL CHARACTERISTICS**

- General Characteristics**  
Durability: 5,000 cycles min.
- Electrical Characteristics**  
Contact resistance: Initial: 80mΩ Max.  
After Test: 100mΩ Max.  
Insulation resistance: >1000MΩ/500V DC
- Solderability**  
IR reflow: 250°C, 5sec. Max  
Manual soldering: 370°C, 3sec. Max
- Environmental Characteristics**  
Operating temperature: -40°C ~ +85°C  
Operating humidity: 10% ~ +95%RH

| ITEM | PART NAME    | Q'TY | MATERIAL                | FINISH                             |
|------|--------------|------|-------------------------|------------------------------------|
| 1    | BASE         | 1    | LCP                     | LCP Black UL94V-0 GF.30%           |
| 2    | DATA CONTACT | 8    | Copper Alloy (C5210R-H) | Contact area: 1 μ" Gold plated     |
| 3    | LATCH        | 2    | Copper Alloy (C5210R-H) | Soldertails area: 80 μ" Tin plated |

Unless otherwise specified, other tolerance are:

|       |       |        |     |
|-------|-------|--------|-----|
| X     | ±0.35 | X'     | ±5' |
| X.X   | ±0.30 | X.X'   | ±4' |
| X.XX  | ±0.20 | X.XX'  | ±3' |
| X.XXX | ±0.10 | X.XXX' | ±2' |

**MUP** MUP INDUSTRIAL CO.,LTD.

NAME: **Micro SD Card Connector**  
MODEL NO: **MUP-M6021-01**  
TYPE: **H2.0 Without post 8p**

|                  |      |       |                  |                 |
|------------------|------|-------|------------------|-----------------|
| PROJ.            | UNIT | SCALE | DRAWN            | DWG NO.:        |
| ①                | MM   | 1:1   | huabo Sep.7.2021 | DWG-M6021-01-02 |
| CUSTOMER DRAWING |      |       | CHECKED          | SHEET           |
|                  |      |       | Simon Sep.7.2021 | 1/1             |
|                  |      |       | APPROVAL         | REVISION        |
|                  |      |       |                  | 2               |

