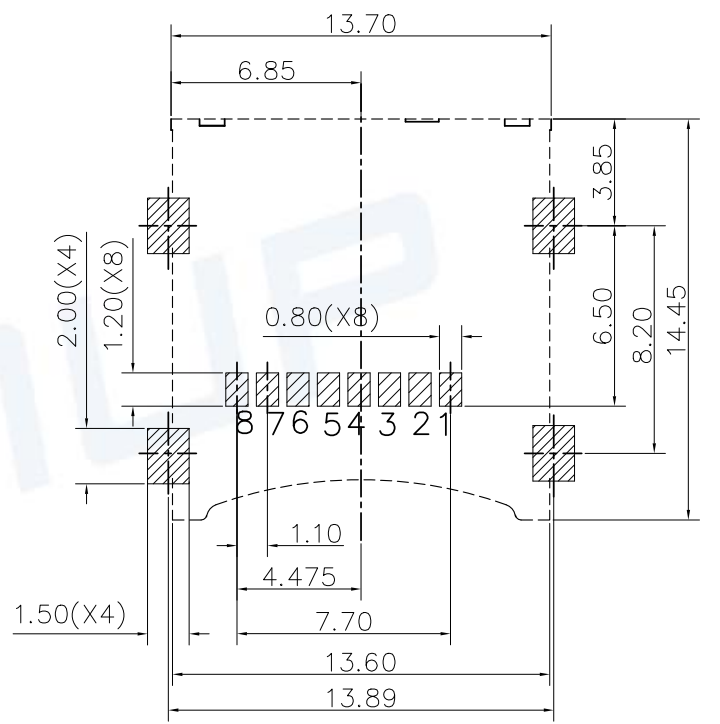
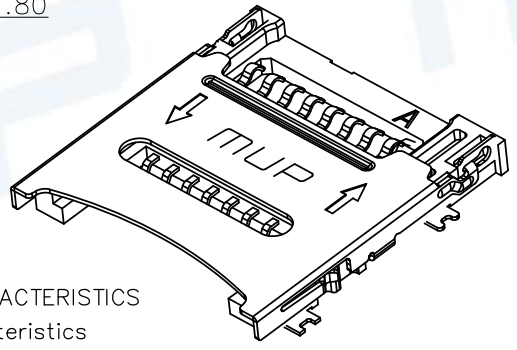
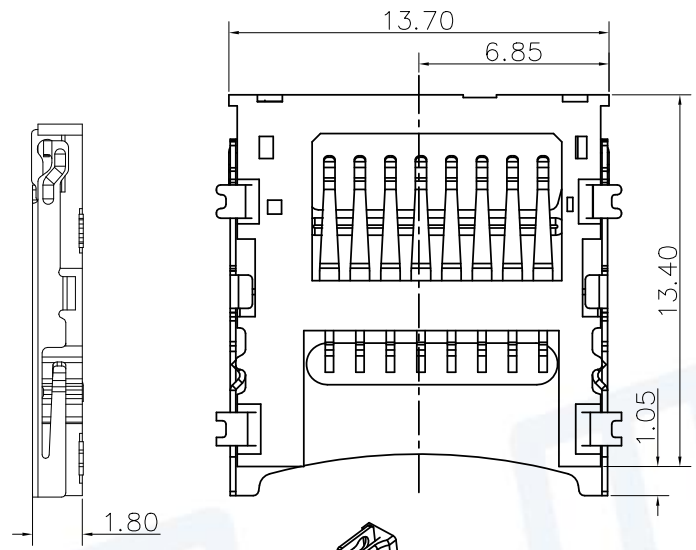
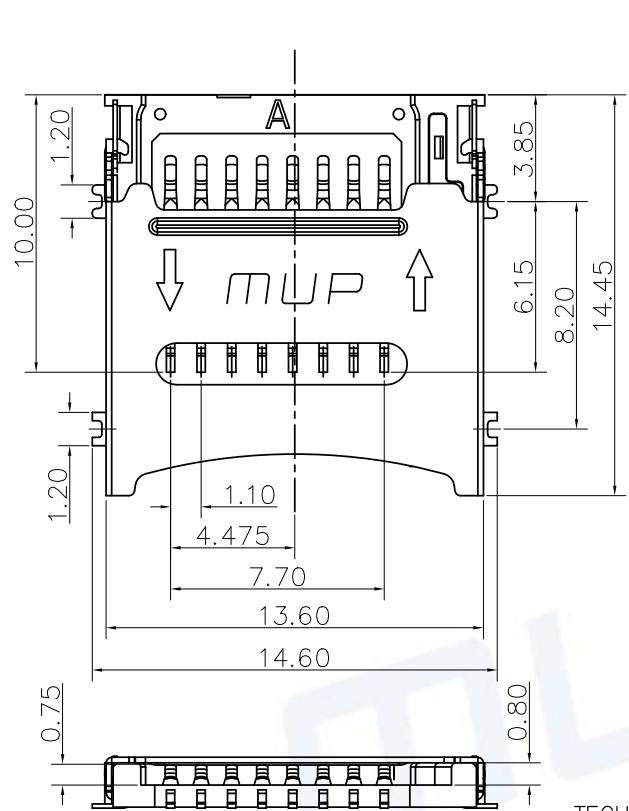


| REV. | DESCRIPTION OF REVISIONS | APPR. | CHKD. | DRAW. | DATE |
|------|--------------------------|-------|-------|-------|------------|
| △ | NEW | | | Henry | 2015/07/21 |
| △ | Original Model M616-1 | | | Henry | 2023/10/24 |



RECOMMENDED P.C.B LAYOUT
COMPONENT SIDE(TOLERANCE ±0.05)

| MicroSD CARD | |
|--------------|---------|
| Pin No. | NAME |
| 1 | DAT2 |
| 2 | CD/DAT3 |
| 3 | CMD |
| 4 | VDD |
| 5 | CLK |
| 6 | VSS |
| 7 | DAT0 |
| 8 | DAT1 |

TECHNICAL CHARACTERISTICS

1.General Characteristics

Dimensions: 14.50LX13.60WX1.80H mm
Weight: Approx0.70g
Durability: 5000 cycles min.

2.Electrical Characteristics

Contact resistance: 50mΩ typical,100mΩ max
Insulation resistance: >1000MΩ/500V DC

3.Solderability

Vaporphase: 215°C,30sec.Max
IR reflow: 250°C,5sec.Max
Manual soldering: 370°C,3sec.Max

4.Environmental Characteristics

Operating temperature: -40°C~+85°C
Operating humidity: 10%~+95%RH

| ITEM | PART NAME | Q'TY | MATERIAL | FINISH |
|------|--------------|------|-----------------------|--------------------------|
| 1 | HOUSING | 1 | Hi-temp Thermoplastic | Black UL94V-0 |
| 2 | DATA CONTACT | 8 | Copper Alloy | Contact area:Gold plated |
| 3 | SHELL | 1 | Stainless Steel | |

Unless otherwise specified, other tolerance are:

| | | | |
|-------|-------|--------|-----|
| X | ±0.35 | X* | ±5* |
| X.X | ±0.25 | X.X* | ±4* |
| X.XX | ±0.15 | X.XX* | ±3* |
| X.XXX | ±0.10 | X.XXX* | ±2* |

MUP MUP INDUSTRIAL CO.,LTD.

NAME: **MicorSD Card Connector**

MODEL NO: **MUP-M6016-01**

TYPE: **H1.80 mm**

| | | | | | | |
|------------------|------|-------|----------|-------------------|----------|-----------------|
| PROJ. | UNIT | SCALE | DRAWN | Henry Jul.21.2015 | DWG NO.: | DWG-M6016-01-01 |
| CUSTOMER DRAWING | mm | 1:1 | CHECKED | Henry Jul.21.2015 | SHEET | 1/1 |
| | | | APPROVAL | Simon Jul.21.2015 | REVISION | 2 |

