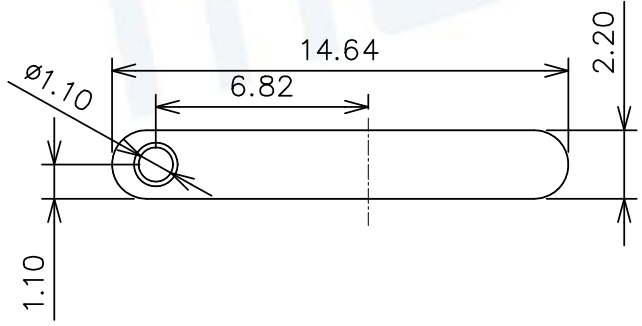
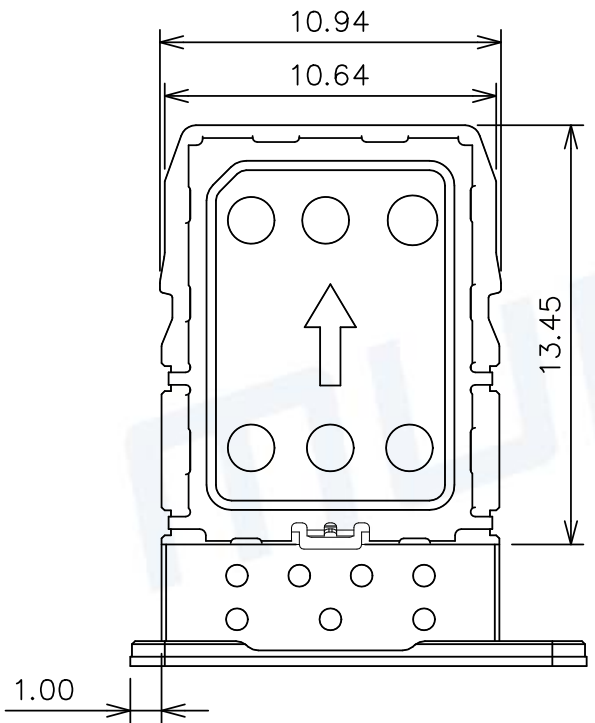
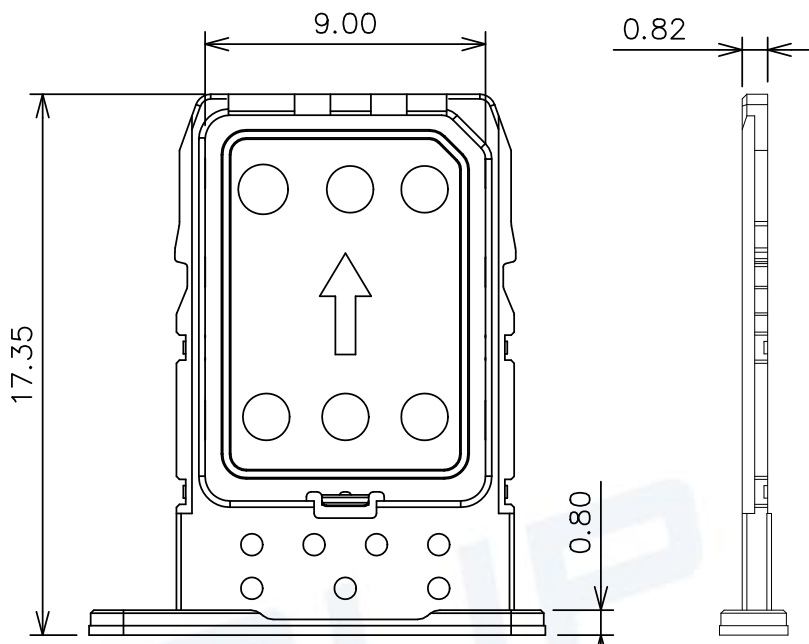


REV.	DESCRIPTION OF REVISIONS	APPR.	CHKD.	DRAW.	DATE
△	NEW			HUABO	2021/11/29
△					



MODEL NO:	Colour
MUP-C7808-31	Black
MUP-C7808-35	White

ITEM	PART NAME	Q'TY	MATERIAL	FINISH
1	HOUSING	1	ABS+PC	UL94V-0
2	METAL SHEET	1	STAINLESS STEEL	No plated
3				

Unless otherwise specified, other tolerance are:

MUP MUP INDUSTRIAL CO.,LTD.

X ±0.35	X* ±5'	NAME: NANO SIM CARD TRAY	
X.X ±0.25	X.X* ±4'	MODEL NO: MUP-C7808-31	
X.XX ±0.15	X.XX* ±3'	TYPE: Card tray	
X.XXX ±0.10	X.XXX* ±2'		
PROJ.	UNIT mm	SCALE 1:1	DRAWN HUABO NOV.29.2021
CUSTOMER DRAWING			CHECKED Henry NOV.29.2021
			APPROVAL Simon NOV.29.2021
		DWG NO.:	DWG-C7808-31-01
		SHEET	1/1
		REVISION	1

