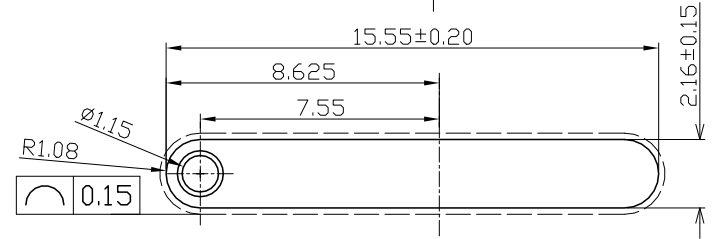
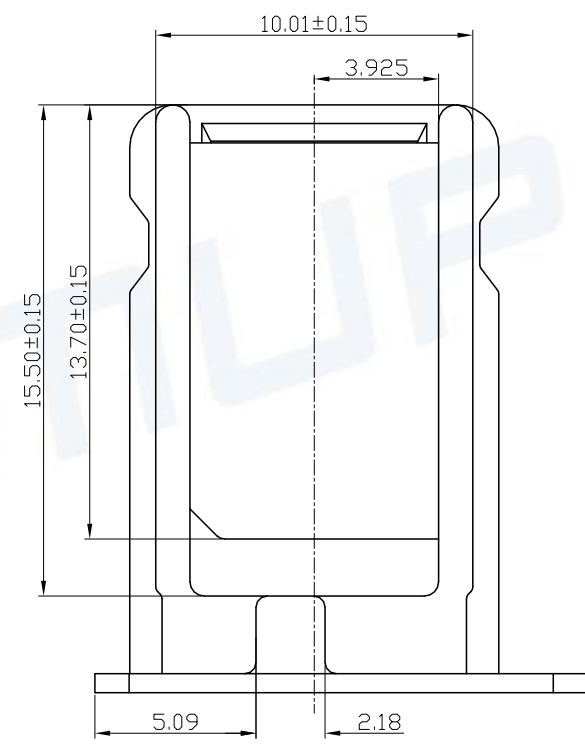
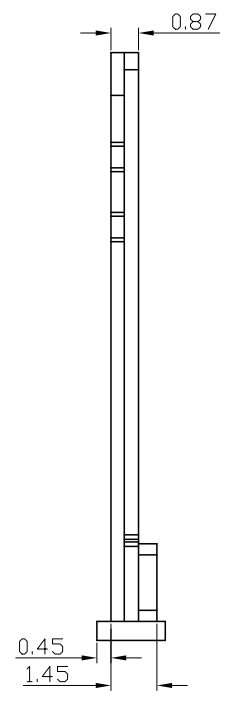
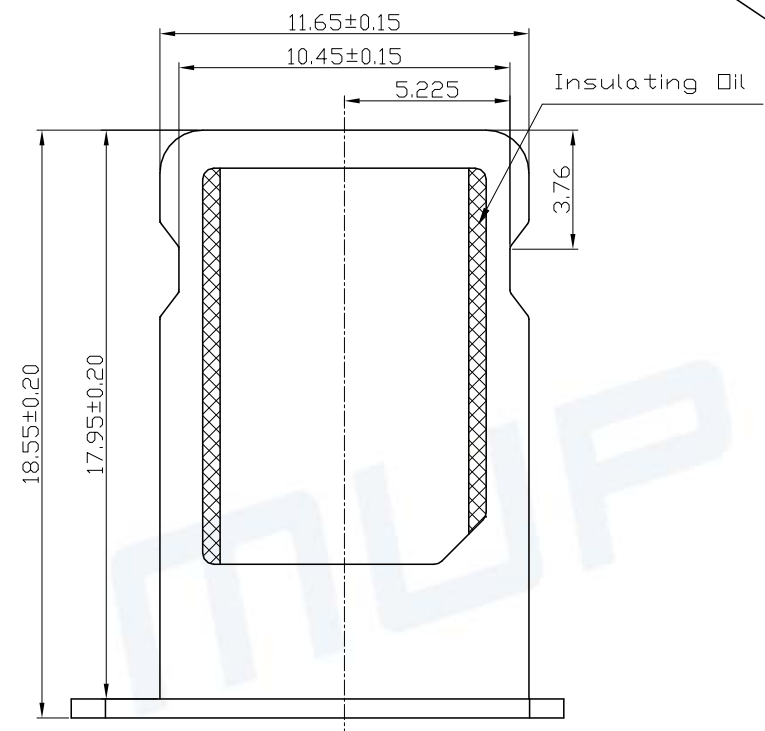
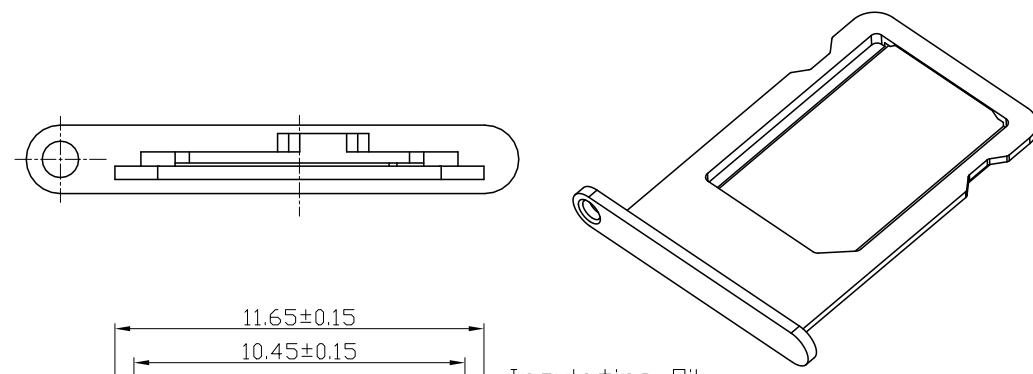


REV.	DESCRIPTION OF REVISIONS	APPR.	CHKD.	DRAW.	DATE
△	NEW			Henry	2019/03/12
△	Original Model C7804-32A			Henry	2023/10/23



NOTE:
 1.Powder Metallurgy Material: Stainless Steel (e.g. 17-4PH F)
 2.Finish: PVD/Electrophoresis
 3.Appearance is not Acceptable: Corrosion,Poor Coating ,Scratches, Warping Sharp Edges(saw burrs),Bumps,Poor Plating, Stains
 4.Surface needs to be Done to Deal with Passivation
 5.Unless otherwise 0.10mm Round;
 6.Please Contact PROMAX Sales Representative to Verify Product Details.

ITEM	PART NAME	Q'TY	MATERIAL	FINISH
1	METAL BODY	1	STAINLESS STEEL	PVD/Electrophoresis
2		1		

Unless otherwise specified, other tolerance are:

MUP MUP INDUSTRIAL CO.,LTD.

X ±0.35	X* ±5*	NAME:	SIM CARD TRAY	
X.X ±0.25	X.X* ±4*	MODEL NO:	MUP-C7804-32	
X.XX ±0.15	X.XX* ±3*	TYPE :	With Cap of the card tray / Silvery white	
X.XXX ±0.10	X.XXX* ±2*			

PROJ.	UNIT	SCALE	DRAWN	Henry Mar.12.2019	DWG NO.:	DWG-C7804-32-01	
①	mm	1:1	CHECKED	Henry Mar.12.2019	SHEET	1/1	REVISION
CUSTOMER DRAWING			APPROVAL	Simon Mar.12.2019			2

