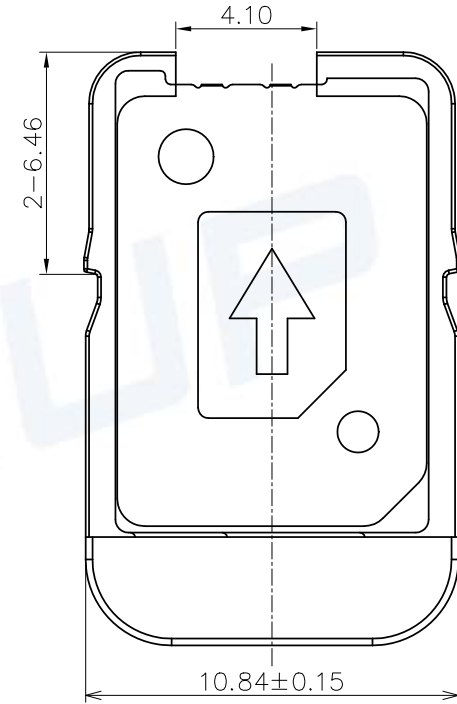
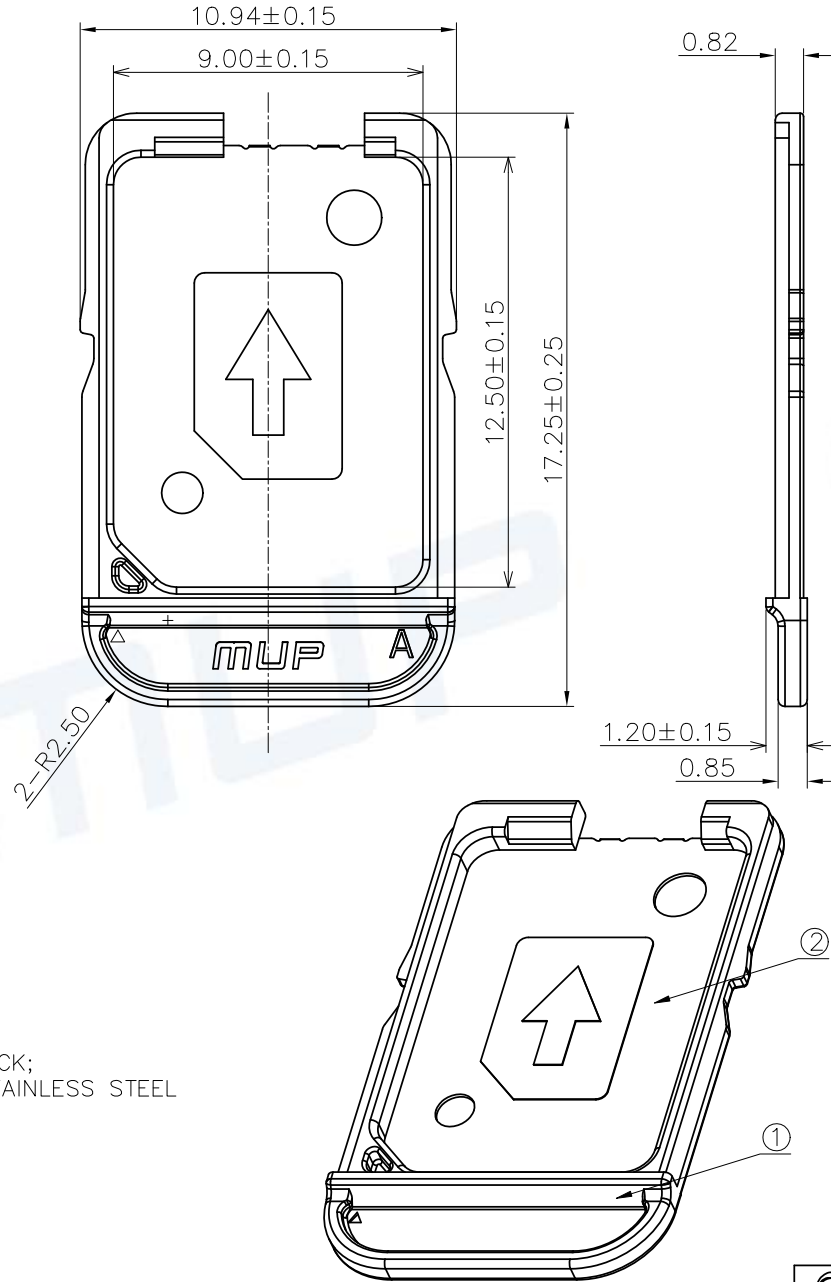


REV.	DESCRIPTION OF REVISIONS	APPR.	CHKD.	DRAW.	DATE
△	NEW			Henry	2019/01/07
△					



NOTES:
MATERIAL:
HOUSING: PC,BLACK;
SHEET METAL: STAINLESS STEEL

ITEM	PART NAME	Q'TY	MATERIAL	FINISH
1	HOUSING	1	PC+ABS	Black UL94V-0
2	METAL SHEET	1	STAINLESS STEEL	No plated

Unless otherwise specified, other tolerance are:

X	±0.35	X*	±5*
X.X	±0.25	X.X*	±4*
X.XX	±0.15	X.XX*	±3*
X.XXX	±0.10	X.XXX*	±2*

MUP MUP INDUSTRIAL CO.,LTD.

NAME: **SIM CARD TRAY**

MODEL NO: **MUP-C7803-31**

TYPE: **Without Cap of the Card tray**

PROJ.	UNIT	SCALE	DRAWN	DWG No.:
①	mm	1:1	Henry Jul.07.2019	DWG-C7803-31-01
CUSTOMER DRAWING			CHECKED	REVISION
			Simon Jul.07.2019	1/1 1

