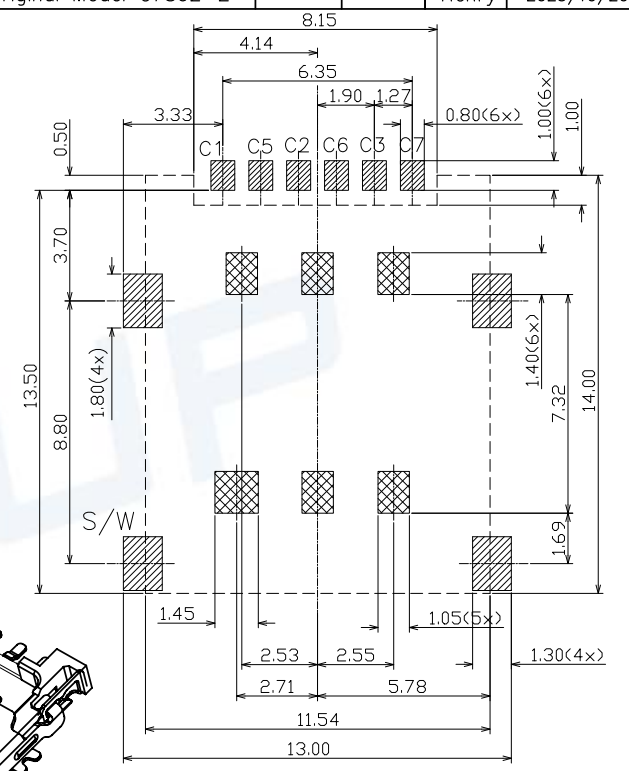
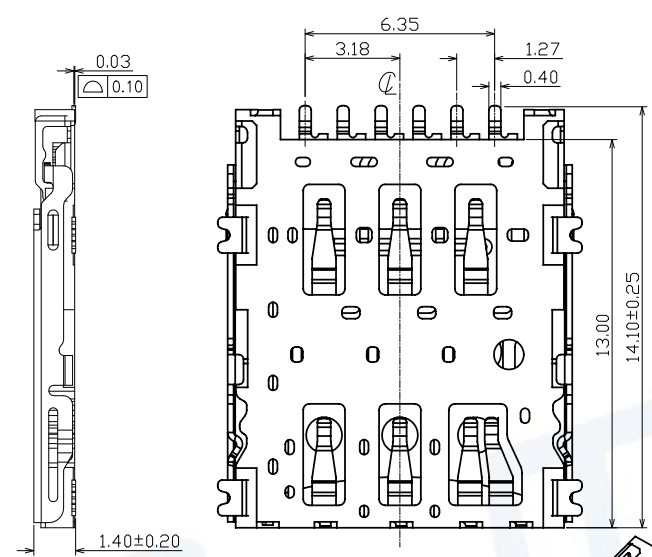
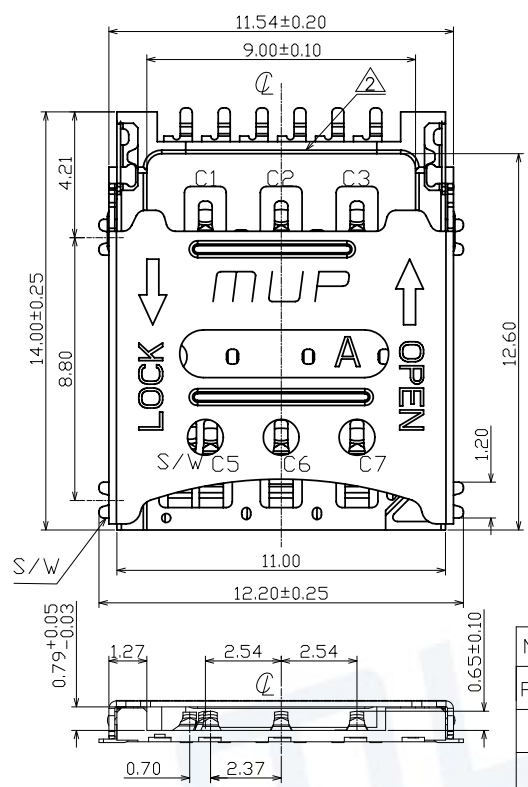
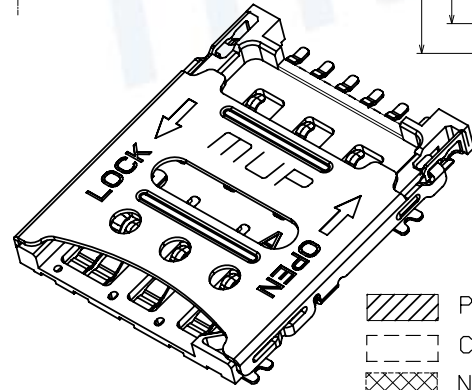


REV.	DESCRIPTION OF REVISIONS	APPR.	CHKD.	DRAW.	DATE
△	NEW			Henry	2018/03/14
△	Plastic structure change			Henry	2020/10/08
△	Original Model C7802-2			Henry	2023/10/20



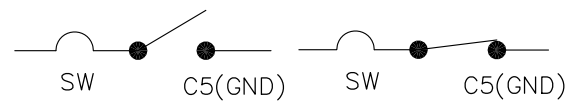
RECOMMENDED P.C.B LAYOUT
COMPONENT SIDE(TOLERANCE ±0.05)

- PAD AREA
- CONNECTOR OUTLINE
- NO PATTERN AND VIA HOLE IN THIS AREA



Pin No.	ASSIGNMENT
C1	VCC(SUPPLY VOLTAGE)
C2	RST(RESET SIGNAL)
C3	CLK(CLOCK SIGNAL)
SW	DETECTION SWITCH
C5	GND
C6	VPP(VARIABLE SUPPLY VOLTAGE)
C7	I/O(DATA INPUT/OUTPUT)

ELECTRIC FUNCTION	DETECT SWITCH
WITHOUT CARD	OPEN
CARD INSERTED	CLOSED



SWITCH OPERATION DIAGRAM

TECHNICAL CHARACTERISTICS
 1.General Characteristics
 Dimensions:14.00LX11.54WX1.40H mm
 Weight:Approx 0.50±0.2g
 Durability:2,500 cycles min.
 2.Electrical Characteristics
 Contact resistance:50mΩ typical,
 100mΩMax
 Insulation resistance:>1000MΩ/500V DC
 3.Solderability
 Vaporphase:215°C, 30sec.Max
 IR reflow:250°C,5sec.Max
 Manual soldering:370°C.3sec.Max
 4.Environmental Characteristics
 Operating temperature:-40°C~+85°C
 Operating humidity:10%~+95%RH

ITEM	PART NAME	Q'TY	MATERIAL	FINISH
1	HOUSING	1	Hi-temp Thermoplastic	Black UL94V-0
2	DATA CONTACT	6	Copper Alloy	Contact area:Gold plated
3	SHELL	1	Stainless Steel	

Unless otherwise specified, other tolerance are:

X	±0.35	X'	±5'
X.X	±0.25	X.X'	±4'
X.XX	±0.15	X.XX'	±3'
X.XXX	±0.10	X.XXX'	±2'

MUP MUP INDUSTRIAL CO.,LTD.

NAME: **Hinge Type NANO-SIM Card Connector**
 MODEL NO: **MUP-C7802-02**
 TYPE: **6PIN,H1.35mm WITH SWITCH PIN**

PROJ.	UNIT	SCALE	DRAWN	DWG NO.:
	mm	1:1	Henry Ou.03.2018	DWG-C7802-02-01
CUSTOMER DRAWING			CHECKED	SHEET
			Simon 03.2018	1/1
			APPROVAL	REVISION
				3

