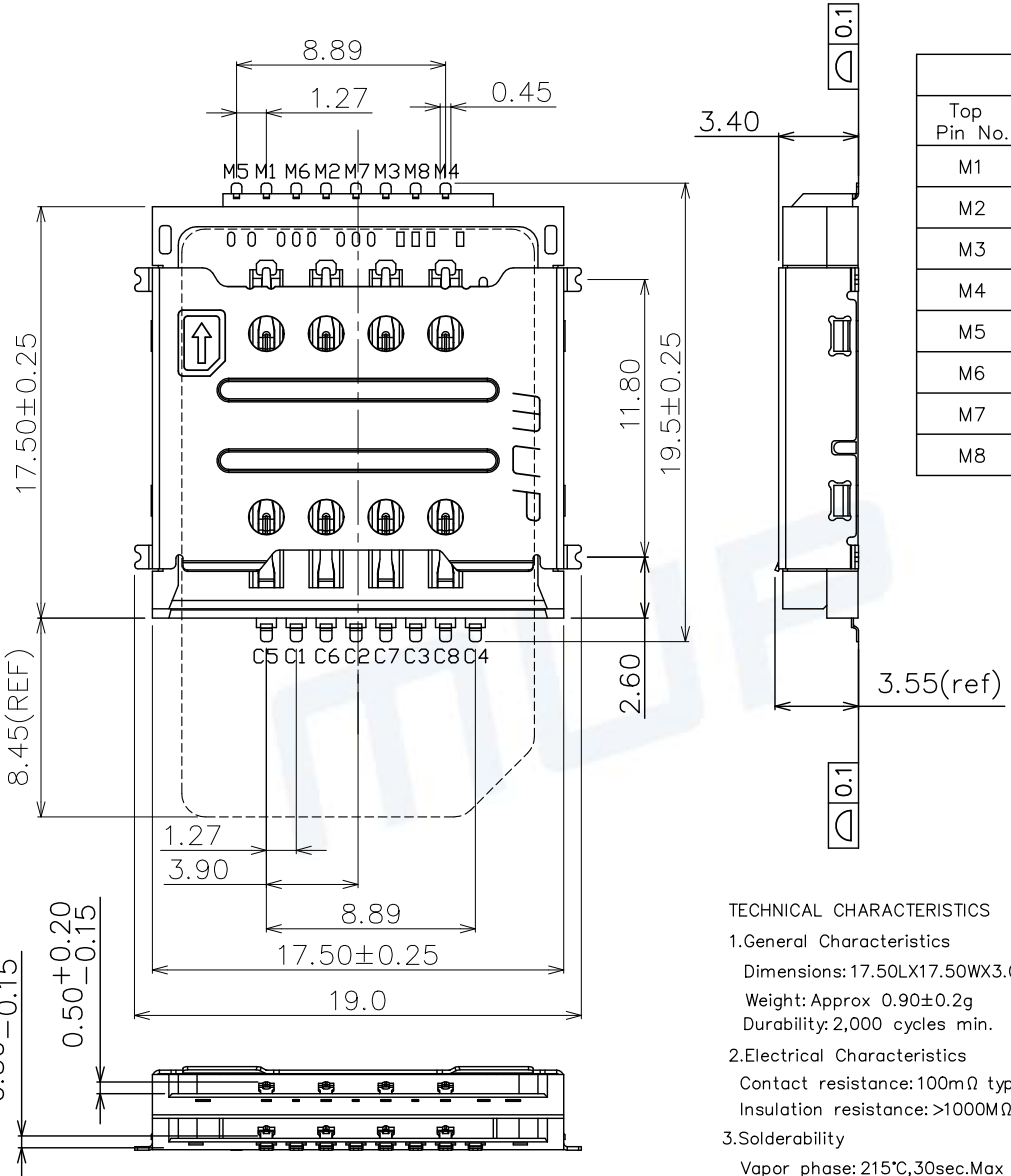
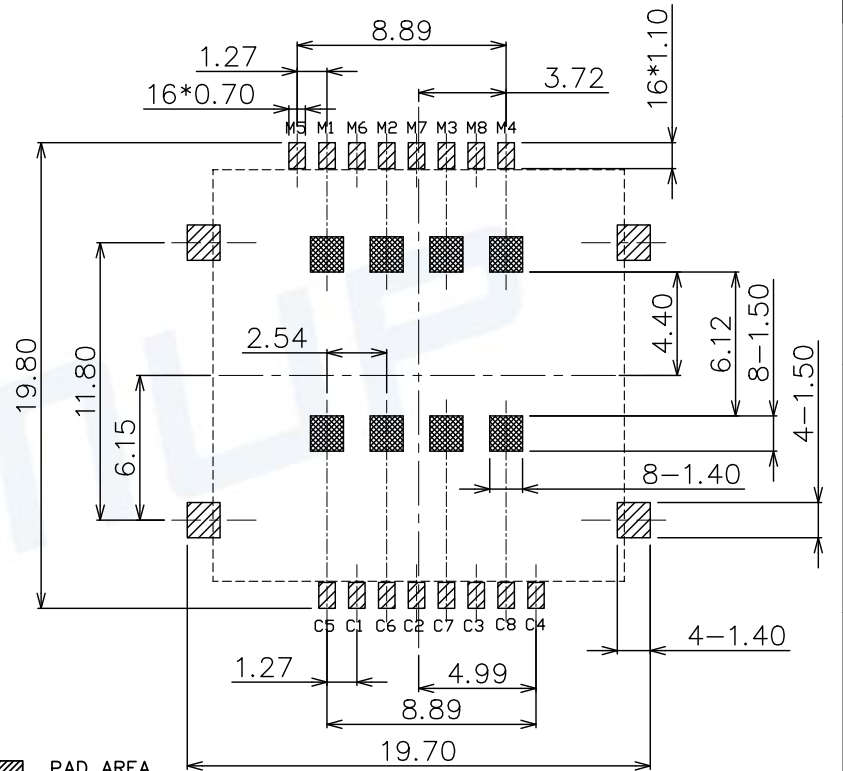


| REV. | DESCRIPTION OF REVISIONS | APPR. | CHKD. | DRAW. | DATE |
|------|--------------------------|-------|-------|-------|------------|
| ① | NEW | | | HUABO | 2022/7/19 |
| ② | Original Model: C7406-1 | | | HUABO | 2023/10/28 |



| SIM CARD | | |
|-------------|----------------|------------|
| Top Pin No. | Bottom Pin No. | Assignment |
| M1 | C1 | VCC |
| M2 | C2 | RST |
| M3 | C3 | CLK |
| M4 | C4 | RFU |
| M5 | C5 | GND |
| M6 | C6 | VPP |
| M7 | C7 | I/O |
| M8 | C8 | RFU |



PAD AREA
 KEEP AREA
 KEEP OUT AREA

RECOMMENDED P.C.B LAYOUT
COMPONENT SIDE(TOLERANCE ±0.05)

TECHNICAL CHARACTERISTICS

1.General Characteristics
 Dimensions: 17.50LX17.50WX3.00H mm
 Weight: Approx 0.90±0.2g
 Durability: 2,000 cycles min.

2.Electrical Characteristics
 Contact resistance: 100mΩ typical, 200mΩ max
 Insulation resistance: >1000MΩ/500V DC

3.Solderability
 Vapor phase: 215°C, 30sec.Max
 IR reflow: 250°C, 5sec.Max
 Manual soldering: 370°C, 3sec.Max

4.Environmental Characteristics
 Operating temperature: -40°C~+85°C
 Operating humidity: 10%~+95%RH

| ITEM | PART NAME | Q'TY | MATERIAL | FINISH |
|------|--------------|------|-----------------------|--|
| 1 | BASE | 2 | Hi-temp Thermoplastic | Black UL94V-0 |
| 2 | SHELL | 1 | Stainless steel | Solder area:Gold plated |
| 3 | DATA CONTACT | 16 | Copper Alloy | Contact area:Gold plated Solder area:Tin plated |

Unless otherwise specified, other tolerance are:

| | | | |
|-------|-------|--------|-----|
| X | ±0.35 | X' | ±5' |
| X.X | ±0.25 | X.X' | ±4' |
| X.XX | ±0.15 | X.XX' | ±3' |
| X.XXX | ±0.10 | X.XXX' | ±2' |

MUP[®] MUP INDUSTRIAL CO.,LTD.

NAME: **SIM Card Connector**
 MODEL NO: **MUP-C7406-01**
 TYPE: **H3.4 without post 8p**

| | | | | | | |
|------------------|------|-------|----------|-------|-----------|-----------------|
| PROJ. | UNIT | SCALE | DRAWN | HUABO | 2022/7/19 | DWG NO.: |
| ① | mm | 1:1 | CHECKED | HUABO | 2022/7/19 | DWG-C7406-01-01 |
| CUSTOMER DRAWING | | | APPROVAL | Zoey | 2022/7/19 | SHEET |
| | | | | | 1/1 | REVISION |
| | | | | | | 2 |

