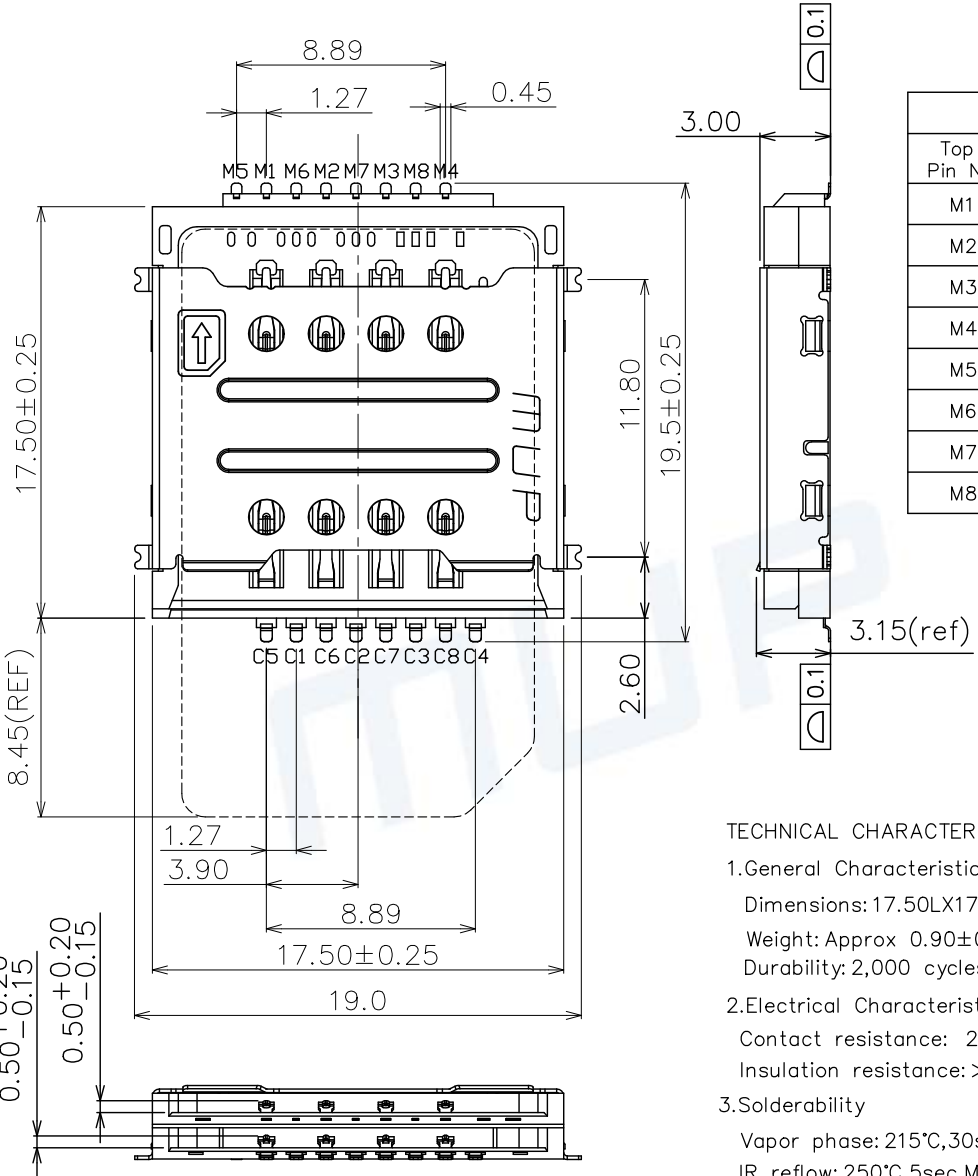
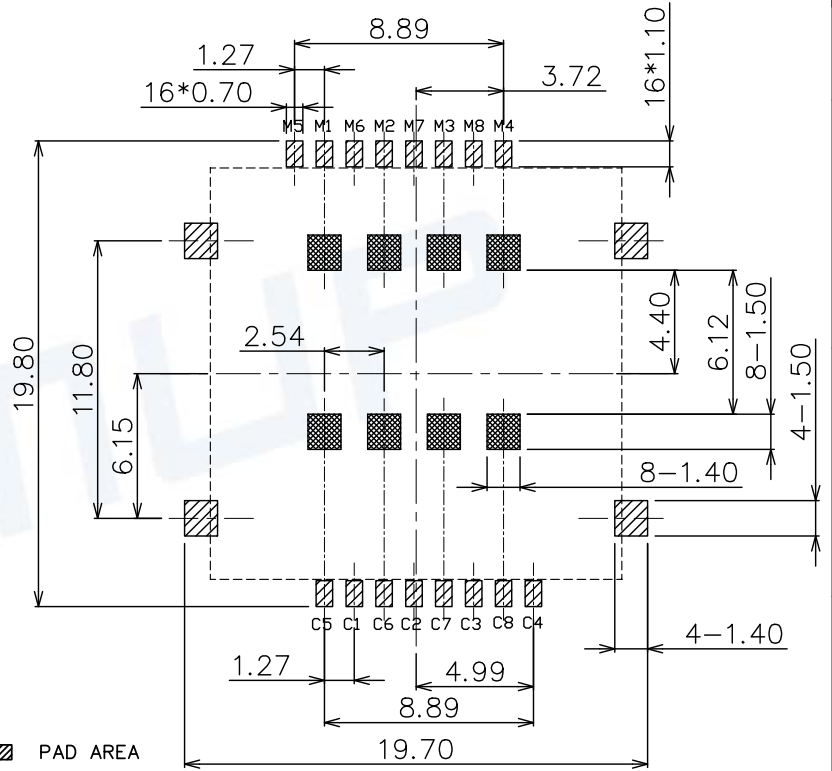


REV.	DESCRIPTION OF REVISIONS	APPR.	CHKD.	DRAW.	DATE
①	NEW			HUABO	2022/7/19
②	Original Model: C7405-1			HUABO	2023/10/28



SIM CARD		
Top Pin No.	Bottom Pin No.	Assignment
M1	C1	VCC
M2	C2	RST
M3	C3	CLK
M4	C4	RFU
M5	C5	GND
M6	C6	VPP
M7	C7	I/O
M8	C8	RFU



PAD AREA
 KEEP AREA
 KEEP OUT AREA

RECOMMENDED P.C.B LAYOUT
COMPONENT SIDE(TOLERANCE ±0.05)

TECHNICAL CHARACTERISTICS

- General Characteristics
 - Dimensions: 17.50LX17.50WX3.00H mm
 - Weight: Approx 0.90±0.2g
 - Durability: 2,000 cycles min.
- Electrical Characteristics
 - Contact resistance: 200mΩ max
 - Insulation resistance: >1000MΩ/500V DC
- Solderability
 - Vapor phase: 215°C, 30sec. Max
 - IR reflow: 250°C, 5sec. Max
 - Manual soldering: 370°C, 3sec. Max
- Environmental Characteristics
 - Operating temperature: -40°C~+85°C
 - Operating humidity: 10%~+95%RH

ITEM	PART NAME	Q'TY	MATERIAL	FINISH
1	BASE	2	Hi-temp Thermoplastic	Black UL94V-0
2	SHELL	1	Stainless steel	Solder area: Gold plated
3	DATA CONTACT	16	Copper Alloy	Contact area: Gold plated Solder area: Tin plated

Unless otherwise specified, other tolerance are:

MUP® MUP INDUSTRIAL CO.,LTD.

NAME: **SIM Card Connector**

MODEL NO: **MUP-C7405-01**

TYPE: **H3.0 without post 8p**

PROJ.	UNIT	SCALE	DRAWN	HUABO	2022/7/19	DWG NO.:
	mm	1:1	CHECKED	HUABO	2022/7/19	DWG-C7405-01-01
CUSTOMER DRAWING			APPROVAL	Zoey	2022/7/19	SHEET
					1/1	REVISION
						2

