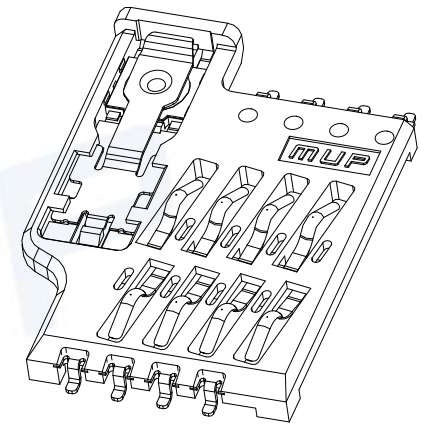
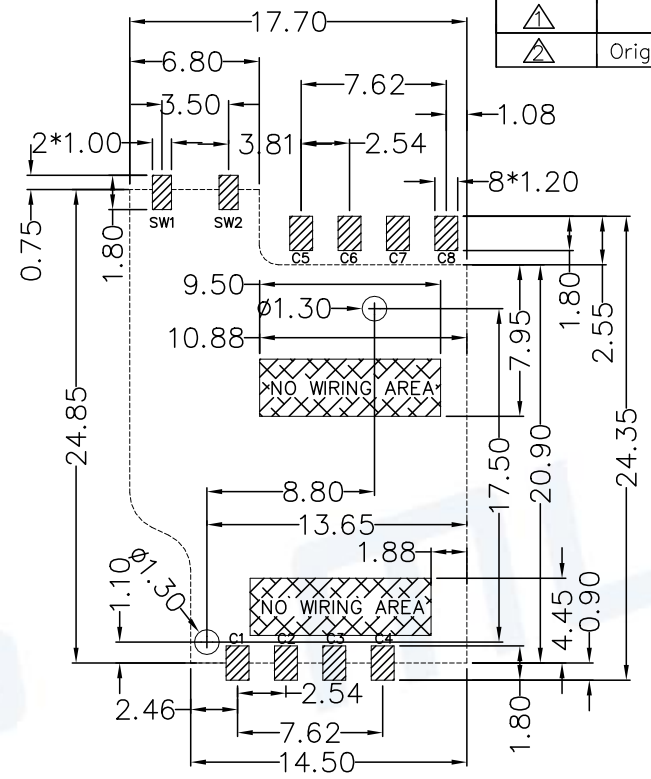
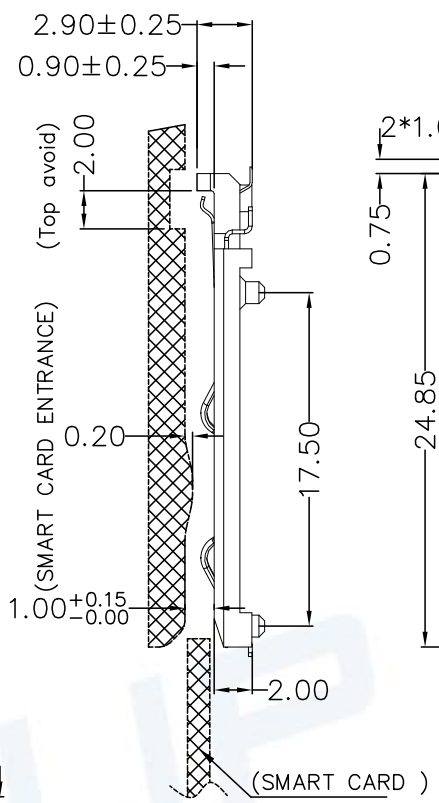
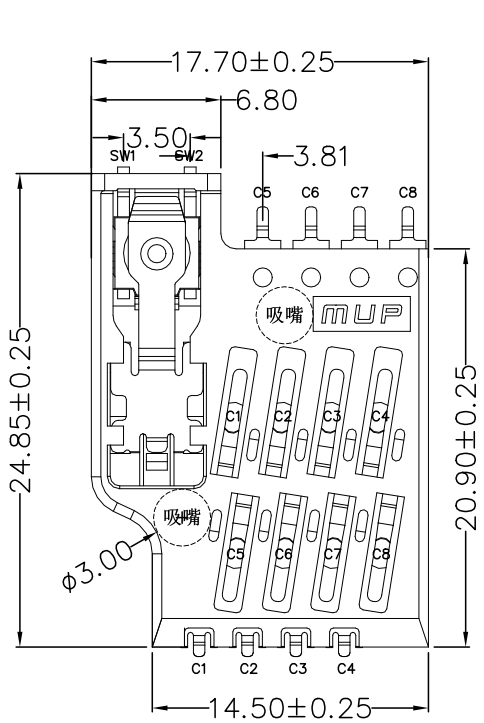
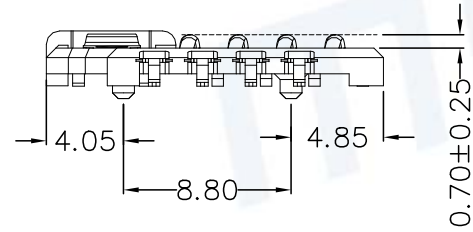


REV.	DESCRIPTION OF REVISIONS	APPR.	CHEC.	DRAW.	DATE
△	NEW			Zoey	2023/03/23
△	Original Model C7310-3			Jicks	2023/10/19



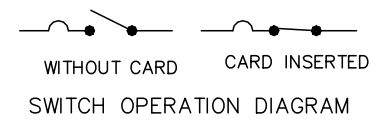
RECOMMENDED P.C.B LAYOUT  
 COMPONENT SIDE(TOLERANCE ±0.05)  
 Coplanarity of metal solder pins 0.15mm  
 Recommending of solder paste thickness > 0.15mm  
 ▨ PAD AREA    ▩ STAND OFF AREA



TECHNICAL CHARACTERISTICS

- General Characteristics  
 Dimensions: 24.85LX17.70WX2.00H mm  
 Weight: Approx0.95±0.3g  
 Durability: 300,000 cycles min.
- Electrical Characteristics  
 Contact resistance: 50mΩ typical, 100mΩ max  
 Insulation resistance: >1000MΩ/500V DC  
 Switch Contact resistance: 100mΩ typical, 200mΩ max  
 Switch Insulation resistance: 100MΩ min
- Solderability  
 Vapor phase: 215°C.30sec.Max  
 IR reflow: 260°C.10sec.Max  
 Manual soldering: 370°C, 3sec.Max
- Environmental Characteristics  
 Operating temperature: -40°C~+85°C  
 Operating humidity: 10%~+95%RH

ELECTRIC FUNCTION	DETECT SWITCH
WITHOUT CARD	OPEN
CARD INSERTED	CLOSED



ITEM	PART NAME	Q'TY	MATERIAL	FINISH
1	BASE	1	Hi-temp Thermoplastic	Black UL94V-0
2	DATA CONTACT	8	Copper Alloy	Contact area:Gold plated
3	SWITCH CONTACT	1		Contact area:Silver plated
4	FLAKE	1	SUS	

Unless otherwise specified, other tolerance are:

X ±0.45	X* ±5°	<b>MUP</b> <sup>®</sup> MUP INDUSTRIAL CO.,LTD. NAME: <b>Smart Card Acceptor</b> MODEL NO: <b>MUP-C7310-03</b> TYPE: <b>Normally open(H2.0/8P)</b>
X.X ±0.35	X.X* ±4°	
X.XX ±0.25	X.XX* ±3°	
X.XXX ±0.10	X.XXX* ±2°	

PROJ.	UNIT	SCALE	DRAWN	Zoey	2023/03/23	DWG NO.:	DWG-C7310-03-01
①	mm	1:1	CHECKED	Keey	2023/03/23	SHEET	1/1
CUSTOMER DRAWING			APPROVAL	Simon	2023/03/23	REVISION	2

