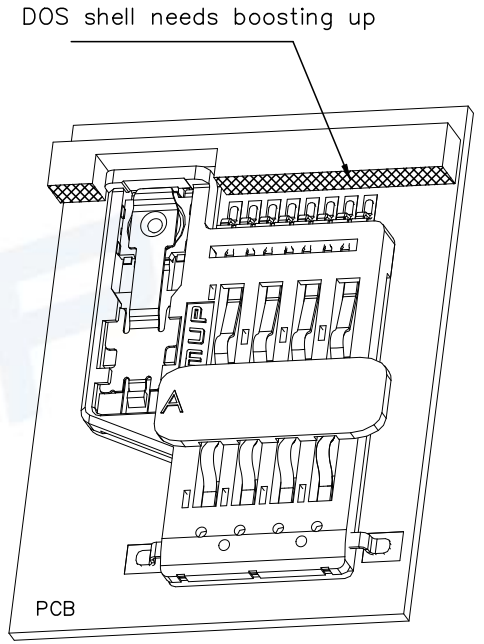
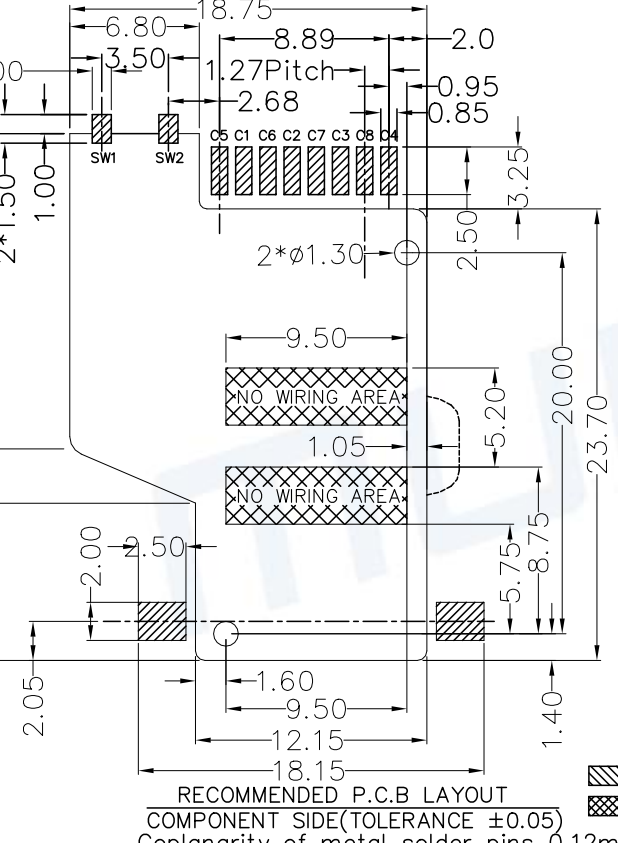
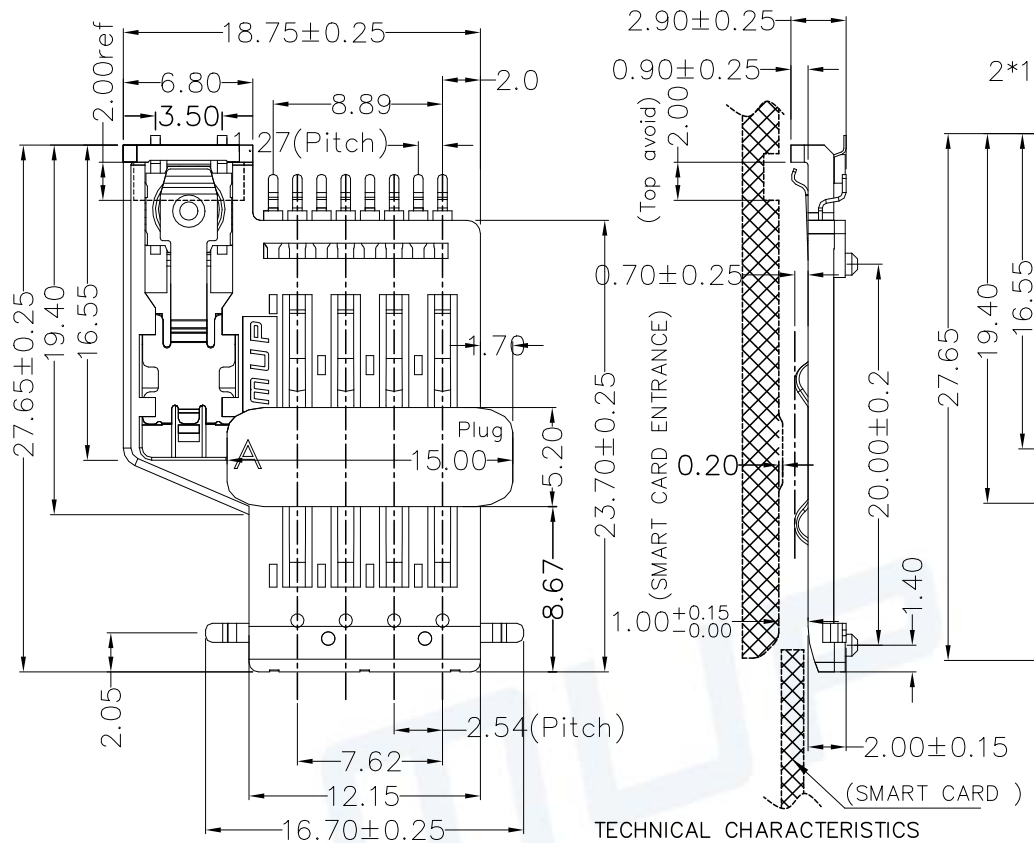


REV.	DESCRIPTION OF REVISIONS	APPR.	CHEC.	DRAW.	DATE
△	NEW			Zoey	2023/03/07
△	Original Model C7309-2			Jicks	2023/10/19

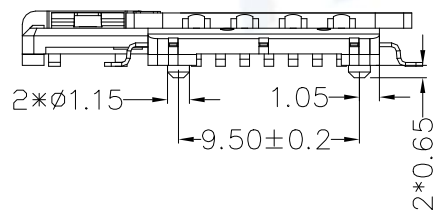


**TECHNICAL CHARACTERISTICS**

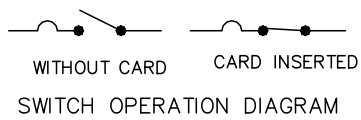
- General Characteristics**  
 Dimensions: 27.65LX18.75WX2.00H mm  
 Weight: Approx.0.95±0.3g  
 Durability: 300,000 cycles min  
 (The height of the bayonet directly affects the service life)
- Electrical Characteristics**  
 Contact resistance: 50mΩ typical, 100mΩ max  
 Insulation resistance: >1000MΩ/500V DC  
 Switch Contact resistance: 100mΩ typical, 200mΩ max  
 Switch Insulation resistance: 100MΩ min
- Solderability**  
 Vapor phase: 215°C.30sec.Max  
 IR reflow: 260°C.10sec.Max  
 Manual soldering: 370°C, 3sec.Max
- Environmental Characteristics**  
 Operating temperature: -40°C~+85°C  
 Operating humidity: 10%~+95%RH

**RECOMMENDED P.C.B LAYOUT**  
 COMPONENT SIDE(TOLERANCE ±0.05)  
 Coplanarity of metal solder pins 0.12mm  
 Recommending of solder paste thickness > 0.15mm

▨ PAD AREA  
 ▩ STAND OFF AREA



ELECTRIC FUNCTION	DETECT SWITCH
WITHOUT CARD	OPEN
CARD INSERTED	CLOSED



ITEM	PART NAME	Q'TY	MATERIAL	FINISH
1	BASE	1	Hi-temp Thermoplastic	Black UL94V-0
2	DATA CONTACT	8	Copper Alloy	Contact area:Gold plated
3	SWITCH CONTACT	1		Contact area:Silver plated
4	LATCH	1	Brass	Plated: Tin over all
5	FLAKE	1	SUS	

Unless otherwise specified, other tolerance are:

**MUP** MUP INDUSTRIAL CO.,LTD.

NAME: **Smart Card Acceptor**  
 MODEL NO: **MUP-C7309-02**  
 TYPE: **Normally open H2.00**

PROJ.	UNIT	SCALE	DRAWN	Zoey	2023/03/07	DWG NO.:	DWG-C7309-02-01
		mm	CHECKED	Keey	2023/03/07	SHEET	1/1
CUSTOMER DRAWING			APPROVAL	Simon	2023/03/07	REVISION	2

