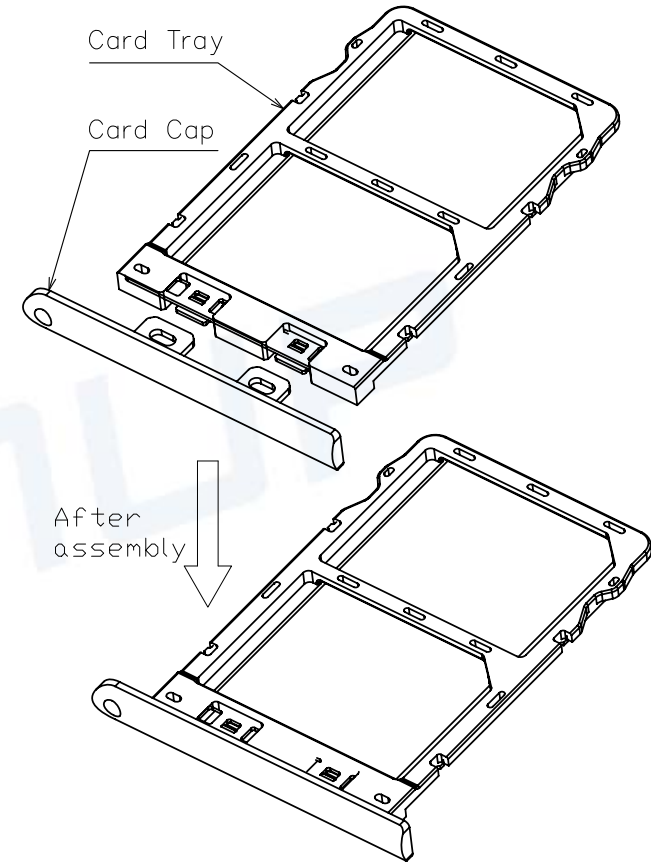
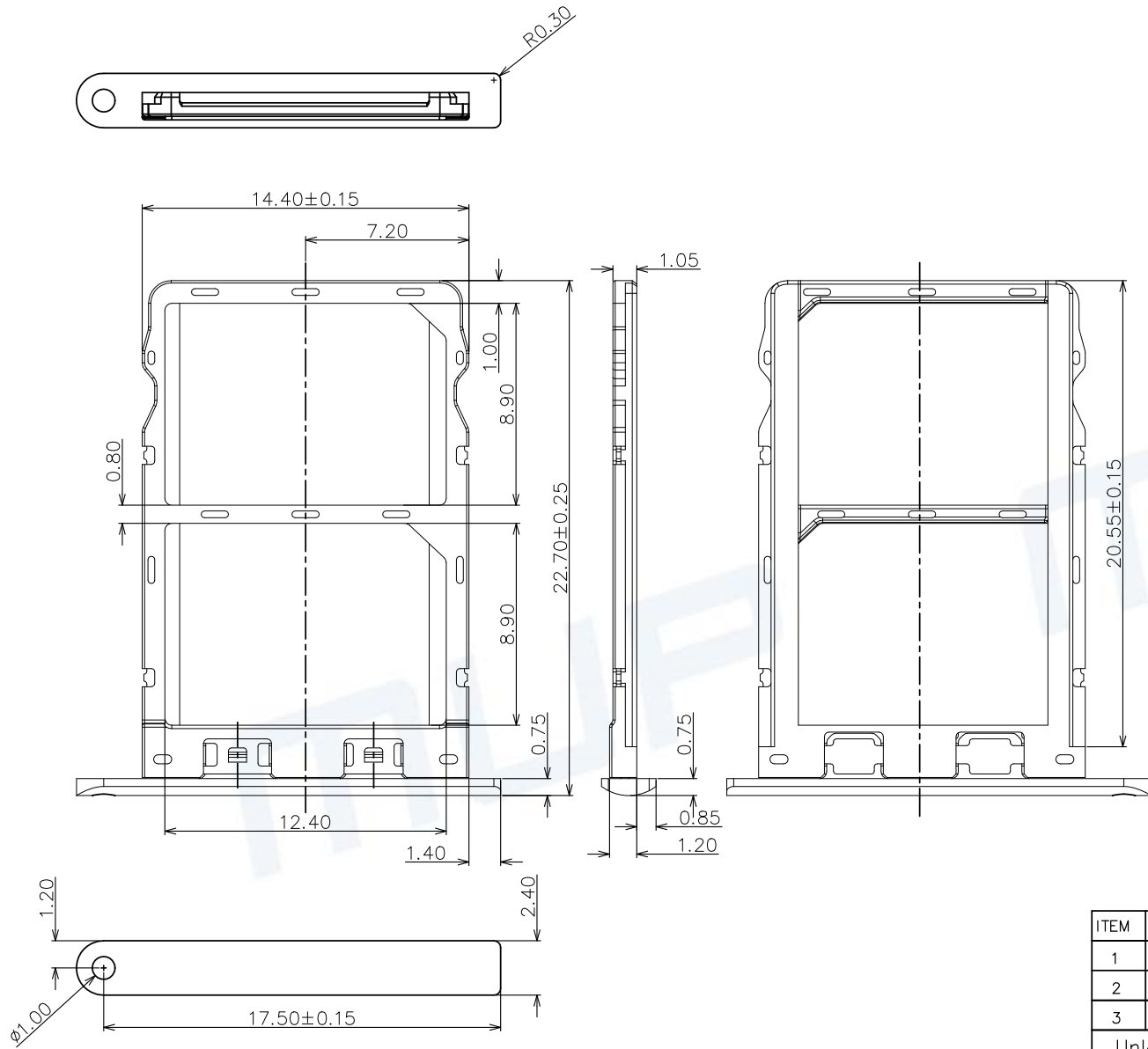


REV.	DESCRIPTION OF REVISIONS	APPR.	CHKD.	DRAW.	DATE
△	NEW			Henry	2018/11/14
△	Original Model C787-31			Henry	2023/10/19



NOTES:  
MATERIAL:  
HOUSING: LCP, BLACK;  
Cap: Aluminum alloy, Silvery white  
SHEET METAL: STAINLESS STEEL

ITEM	PART NAME	Q'TY	MATERIAL	FINISH
1	HOUSING	1	Hi-temp Thermoplastic	Black UL94V-0
2	SHEET METAL	1	Stainless Steel	
3	SIM CARD CAP	1	Aluminium Alloy	

Unless otherwise specified, other tolerance are:

X	±0.35	X°	±5°
X.X	±0.25	X.X°	±4°
X.XX	±0.15	X.XX°	±3°
X.XXX	±0.10	X.XXX°	±2°

**MUP MUP INDUSTRIAL CO.,LTD.**

NAME: **DUAL NANO-SIM Card Tray**

MODEL NO: **MUP-C7087-31**

TYPE: **Tray With cap for Assembled Type**

PROJ.	UNIT	SCALE	DRAWN	Henry Nov.14.2018	DWG NO.:	DWG-C7087-31-01
①	mm	1:1	CHECKED	Henry Nov.14.2018	SHEET	1/1
CUSTOMER DRAWING			APPROVAL	Simon Nov.14.2018	REVISION	2

