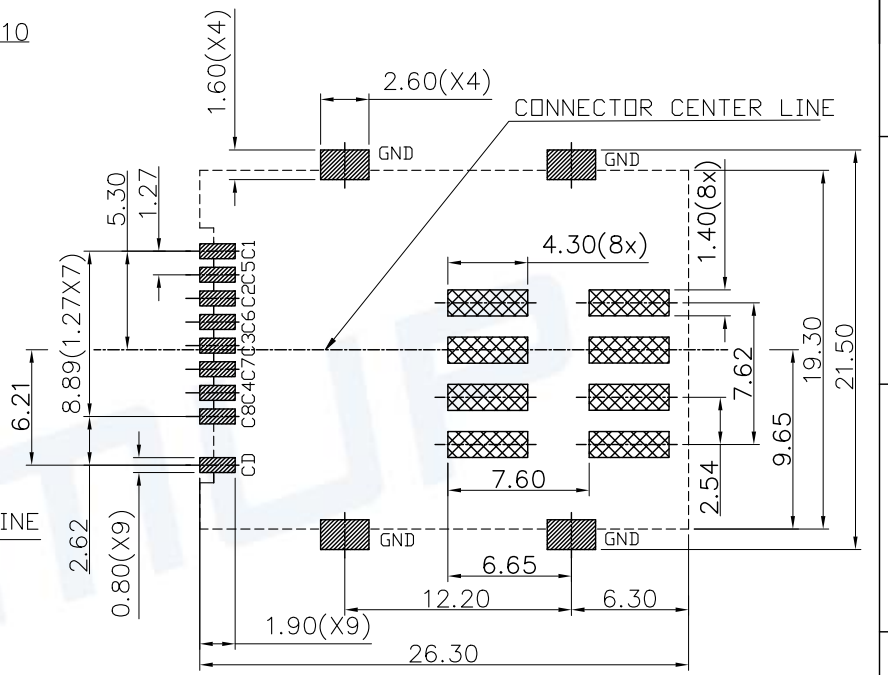
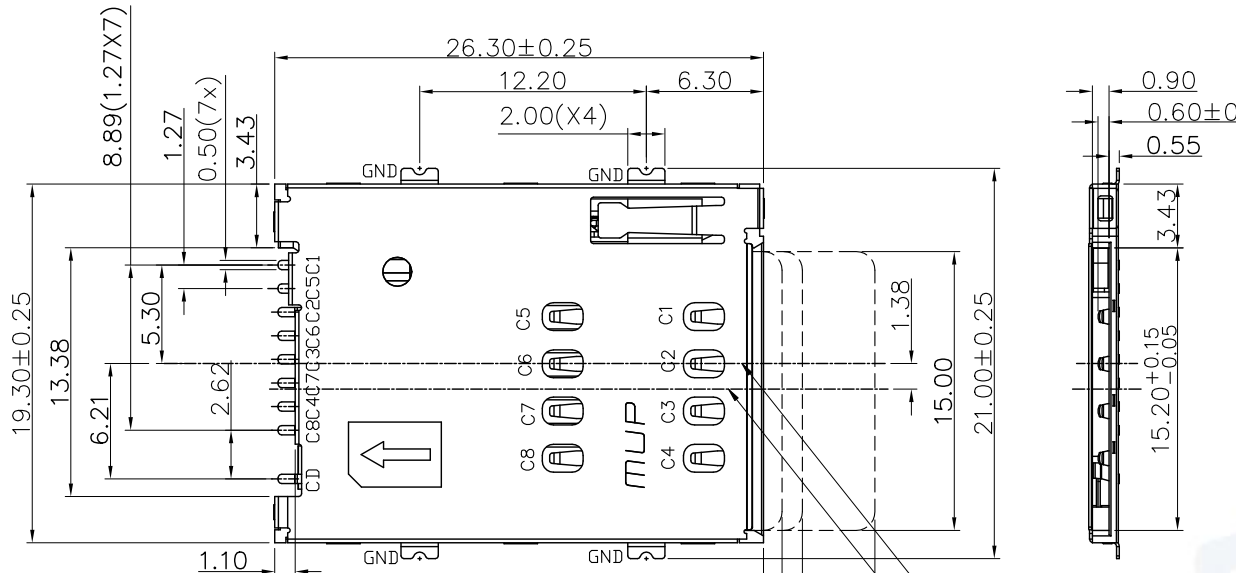
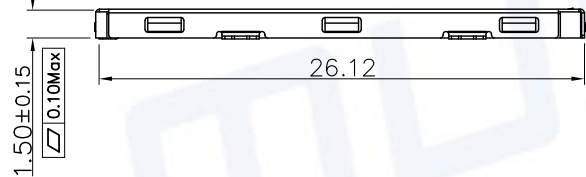


REV.	DESCRIPTION OF REVISIONS	APPR.	CHKD.	DRAW.	DATE
△	NEW			Henry	2014/07/08
△	Original Model C752-1			Henry	2023/10/18



(LOCATION OF CARD PUSHED) 1.00REF  
 (LOCATION OF CARD LOCKED) 2.10REF  
 (LOCATION OF CARD EJECTED) 6.00REF



RECOMMENDED P.C.B LAYOUT  
 COMPONENT SIDE (TOLERANCE ±0.05)  
 ▨ PAD AREA  
 - - - CONNECTOR OUTLINE  
 ▩ NO PATTERN AND VIA HOLE IN THIS AREA

**TECHNICAL CHARACTERISTICS**

**1.General Characteristics**

Dimensions: 26.30LX19.30WX1.50H mm  
 Weight: Approx 1.50±0.1g  
 Durability: 2,500 cycles min.

**2.Electrical Characteristics**

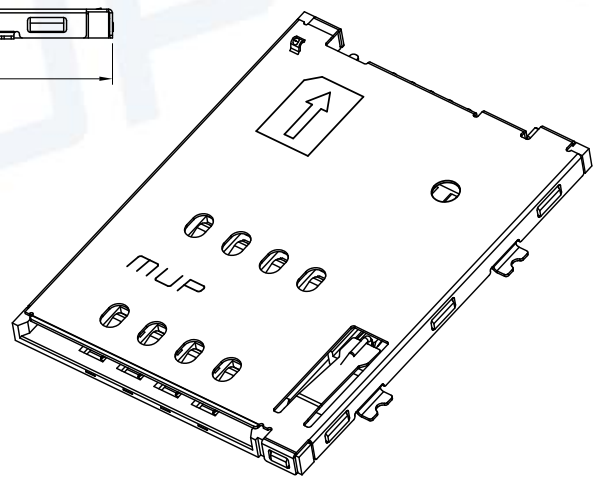
Contact resistance: 50mΩ typical, 100mΩ max  
 Insulation resistance: >1000MΩ/500V DC

**3.Solderability**

Vapor phase: 215°C, 30sec.Max  
 IR reflow: 260°C, 10sec.Max  
 Manual soldering: 370°C, 3sec.Max

**4.Environmental Characteristics**

Operating temperature: -40°C~+85°C  
 Operating humidity: 10%~+95%RH



ELECTRIC FUNCTION	DETECT SWITCH
WITHOUT CARD	CLOSED
CARD INSERTED	OPEN



ITEM	PART NAME	Q'TY	MATERIAL	FINISH
1	HOUSING	1	Hi-temp Thermoplastic	Black UL94V-0
2	DATA CONTACT	8	Copper Alloy	Contact plated: 3u" Au Plated, Under plated: 50u" Ni plated all over
3	SHELL	1	Stainless Steel	Solder Tall: 1u" Au plated over Nickel Under plated: 30~50u" Ni plated all over
4	COIL SPRING	1	SWP	
5	HEART CAM	1	Hi-temp Thermoplastic	Black UL94V-0
6	CAM PIN	1	Stainless Steel	
7	SWITCH CONTACT	1	Copper Alloy	Contact area: Gold plated

Unless otherwise specified, other tolerance are:

X ±0.35	X' ±5'
X.X ±0.25	X.X' ±4'
X.XX ±0.15	X.XX' ±3'
X.XXX ±0.10	X.XXX' ±2'

**MUP<sup>®</sup> MUP INDUSTRIAL CO.,LTD.**  
**Smart Card Acceptor**  
**MODEL NO: MUP-C7052-01**  
**TYPE: H1.50 Without post 8PIN**

PROJ.	UNIT	SCALE	DRAWN	Henry Jul.08.2014	DWG NO.:
⊕	mm	1:1	CHECKED	Henry Jul.08.2014	DWG-C7052-01-01
CUSTOMER DRAWING			APPROVAL	Simon Jul.08.2014	SHEET 1/1
					REVISION 2