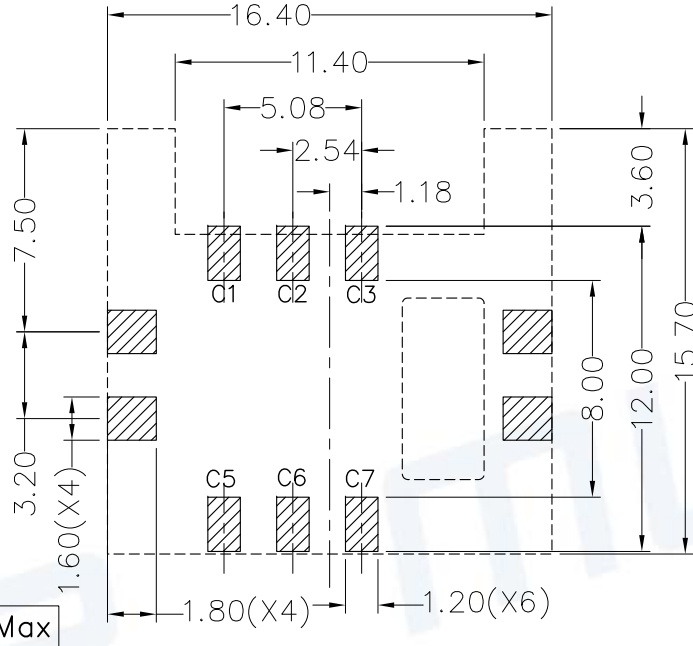
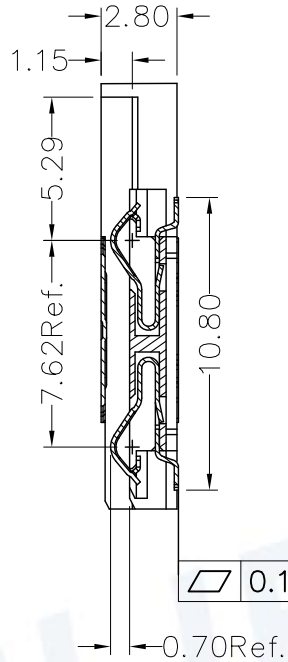
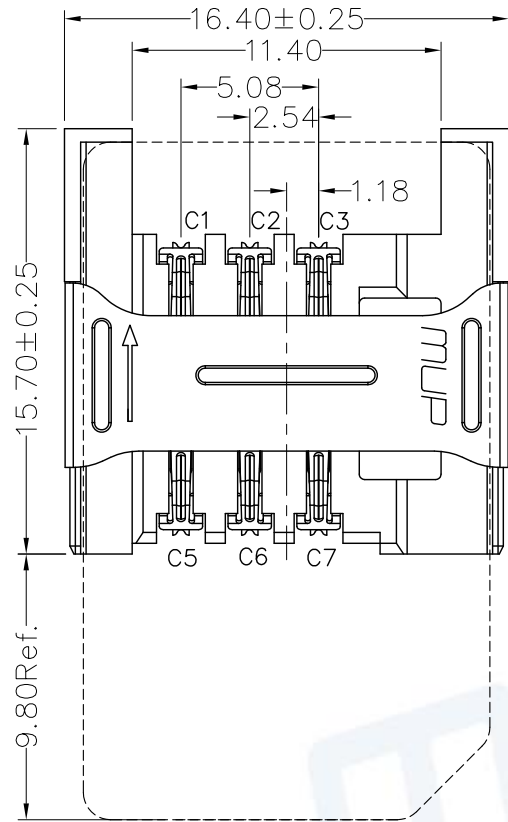
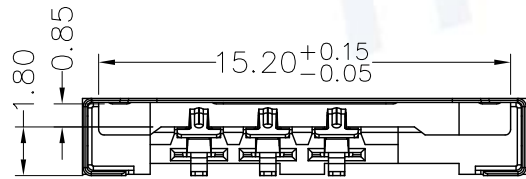
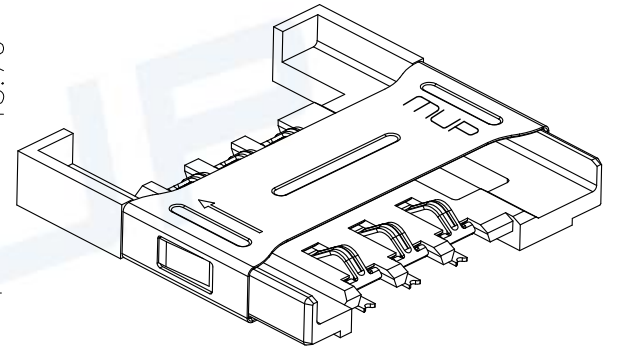


REV.	DESCRIPTION OF REVISIONS	APPR.	CHKD.	DRAW.	DATE
△	NEW			Zoey	2009/12/7
△	Original Model C742-2			HXR	2023/10/17



RECOMMENDED P.C.B LAYOUT
COMPONENT SIDE(TOLERANCE ±0.05)



TECHNICAL CHARACTERISTICS

1.General Characteristics

Dimensions: 15.70LX16.40WX2.80H mm

Weight: Approx 0.53±0.2g

Durability: 5,000 cycles min.

2.Electrical Characteristics

Contact resistance: 50mΩ typical, 100mΩ max

Insulation resistance: >1000MΩ/500V DC

3.Solderability

Vaporphase: 215°C, 30sec. Max

IR reflow: 250°C, 5sec. Max

Manual soldering: 370°C, 3sec. Max

4.Environmental Characteristics

Operating temperature: -40°C~+85°C

Operating humidity: 10%~+95%RH

ITEM	PART NAME	Q'TY	MATERIAL	FINISH
1	HOUSING	1	Hi-temp Thermoplastic	Black UL94V-0
2	DATA CONTACT	6	Copper Alloy	Contact area: Gold plated
3	SHELL	1	Stainless Steel	SMT area: Gold plated

Unless otherwise specified, other tolerance are:			MUP INDUSTRIAL CO.,LTD.		
X	±0.35	X*			±5*
X.X	±0.25	X.X*			±4*
X.XX	±0.15	X.XX*			±3*
X.XXX	±0.10	X.XXX*	±2*		
NAME:			SIM Card Connector		
MODEL NO:			MUP-C7042-02		
TYPE :			H2.80 Without post 6p		
PROJ.	UNIT	SCALE	DRAWN	DWG NO.:	
①	mm	1:1	Zoey Dec.07.2009	DWG-C7042-02-01	
CHECKED			Sean Dec.07.2009	SHEET	
APPROVAL			Jun Dec.07.2009	REVISION	
			1/1	2	



CUSTOMER DRAWING