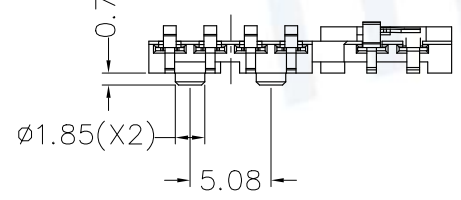
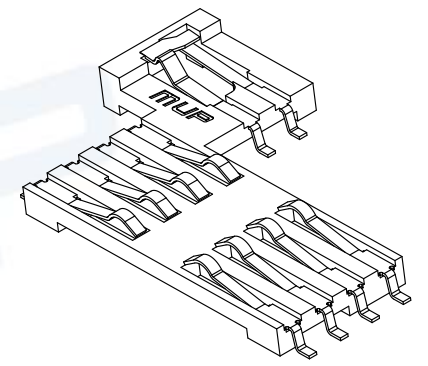
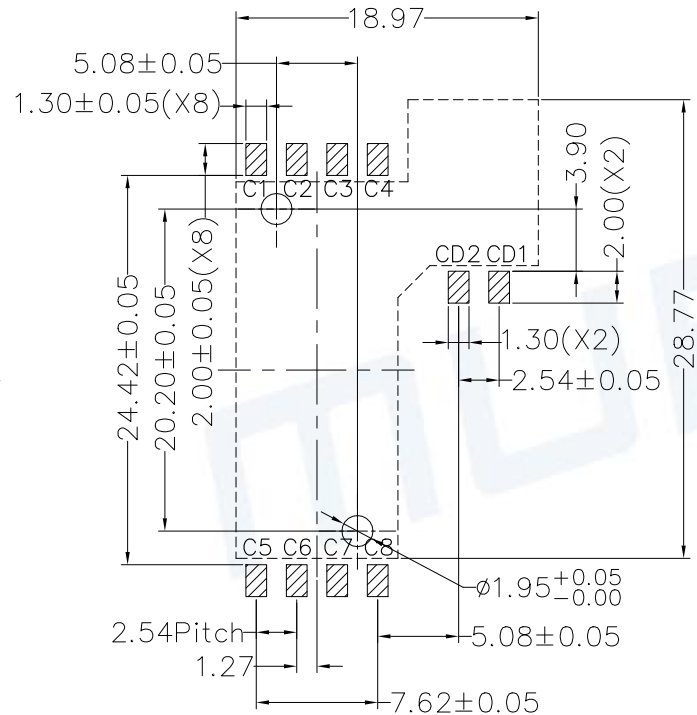
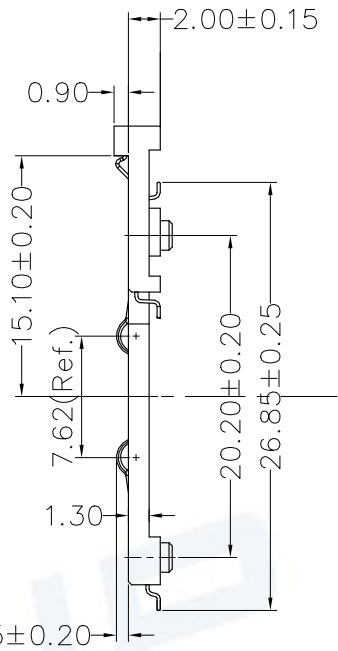
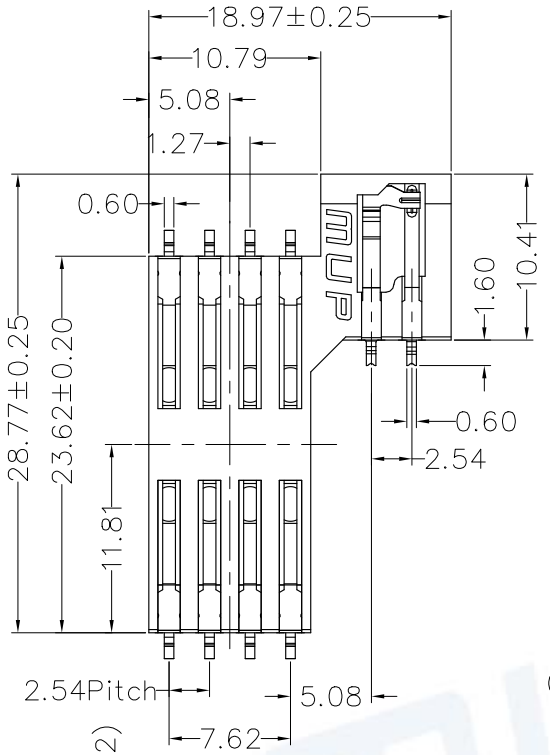
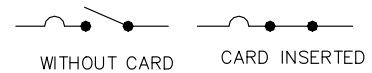


REV.	DESCRIPTION OF REVISIONS	APPR.	CHEC.	DRAW.	DATE
△	NEW			Zoey	2009/10/07
△	Original Model C738-4			Xufang	2023/11/06



ELECTRIC FUNCTION	DETECT SWITCH
WITHOUT CARD	OPEN
CARD INSERTED	CLOSED



SWITCH OPERATION DIAGRAM

Coplanarity of metal solder pins  $\leq 0.10\text{mm}$

TECHNICAL CHARACTERISTICS

- General Characteristics  
Dimensions: 28.77LX18.97WX2.00 mm  
Weight: Approx 0.70±0.1g  
Durability: 100,000 cycles min.
- Electrical Characteristics  
Contact resistance: 50mΩ typical, 100mΩ max  
Insulation resistance: >1000MΩ/500V DC
- Solderability  
IR reflow: 260°C, 10sec. Max  
Manual soldering: 370°C, 3sec. Max
- Environmental Characteristics  
Operating temperature: -40°C~+85°C  
Operating humidity: 10%~+95%RH

RECOMMENDED P.C.B LAYOUT  
COMPONENT SIDE (TOLERANCE ±0.05)  
Coplanarity of metal solder pins  $\leq 0.15\text{mm}$   
Recommending of solder paste thickness > 0.15mm

ITEM	PART NAME	Q'TY	MATERIAL	FINISH
1	BASE	1	Hi-temp Thermoplastic	Black UL94V-0
2	DATA CONTACT	8	Copper Alloy	Contact area: Gold plated
3	SWITCH CONTACT 2	1	Copper Alloy	Contact area: Gold plated
4	SWITCH CONTACT 1	1	Copper Alloy	Contact area: Gold plated

Unless otherwise specified, other tolerance are:

X ±0.35	X* ±5°		NAME: <b>Smart Card Connector</b>
X.X ±0.25	X.X* ±4°		MODEL NO: <b>MUP-C7038-04</b>
X.XX ±0.15	X.XX* ±3°		TYPE: <b>H2.00mm&amp;with post(with logo)</b>
X.XXX ±0.10	X.XXX* ±2°		

PROJ. UNIT mm SCALE 1:1

CUSTOMER DRAWING

DRAWN	Zoey	Oct.07.2009	DWG NO.:	DWG-C7038-04-01
CHECKED	Keyy	Oct.07.2009	SHEET	
APPROVAL	Simon	Oct.07.2009	REVISION	2

