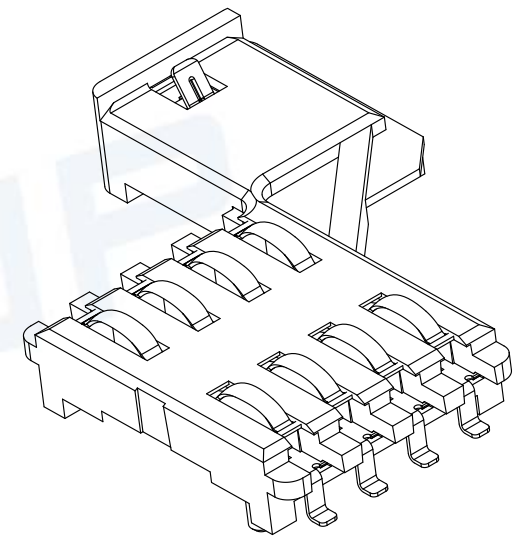
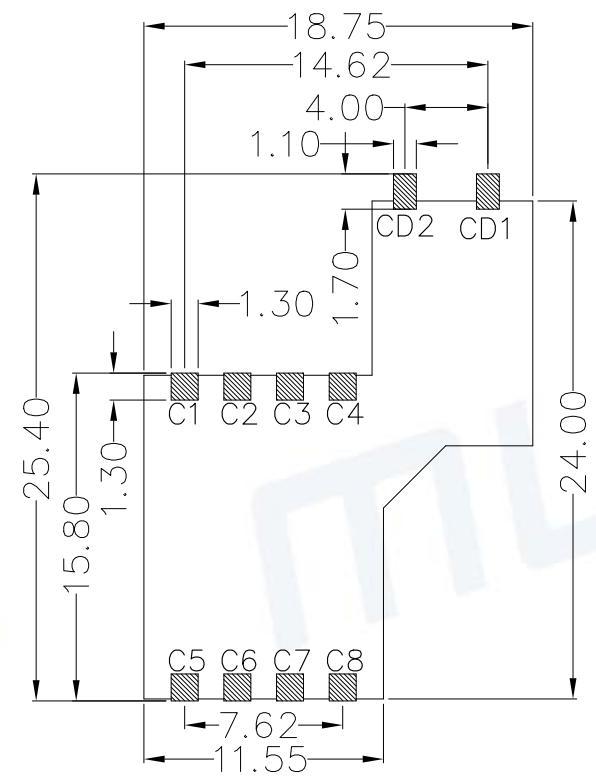
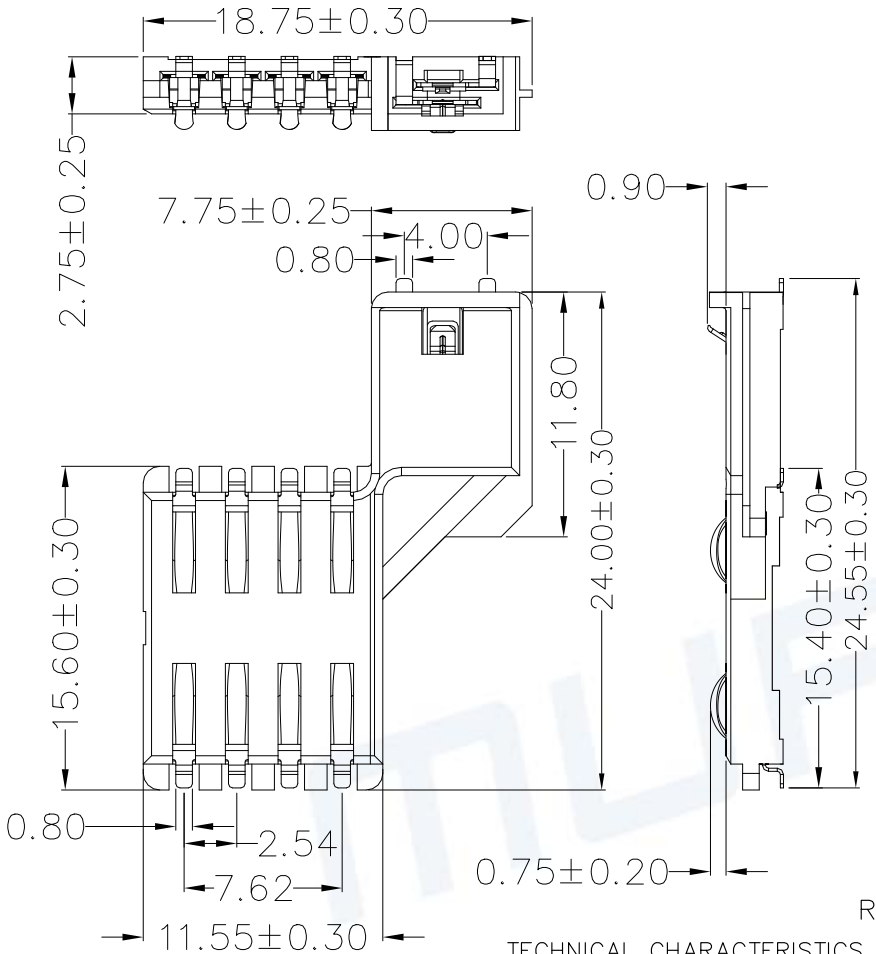


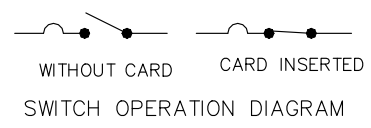
REV.	DESCRIPTION OF REVISIONS	APPR.	CHEC.	DRAW.	DATE
△	NEW			Zoey	2014/05/25
△	Original Model C737-3			Keyy	2023/10/19



TECHNICAL CHARACTERISTICS

- General Characteristics**
Dimensions: $24.00 \times 18.75 \times 2.75$ mm
Weight: Approx 0.88 ± 0.2 g
Durability: 50,000 cycles min.
- Electrical Characteristics**
Contact resistance: $50 \text{m}\Omega$ typical, $100 \text{m}\Omega$ max
Insulation resistance: $> 1000 \text{M}\Omega / 500 \text{V DC}$
- Solderability**
IR reflow: $260^\circ\text{C}, 10 \text{sec. Max}$
Manual soldering: $370^\circ\text{C}, 3 \text{sec. Max}$
- Environmental Characteristics**
Operating temperature: $-40^\circ\text{C} \sim +85^\circ\text{C}$
Operating humidity: $10\% \sim +95\% \text{RH}$

ELECTRIC FUNCTION	DETECT SWITCH
WITHOUT CARD	OPEN
CARD INSERTED	CLOSED



ITEM	PART NAME	Q'TY	MATERIAL	FINISH
1	BASE	1	Thermoplastic	Black UL94V-0
2	DATA CONTACT	8	Copper Alloy	Contact area: Gold plated
3	SWITCH CONTACT 2	1	Copper Alloy	Contact area: Gold plated
4	SWITCH CONTACT 1	1	Copper Alloy	Contact area: Gold plated

Unless otherwise specified, other tolerance are:

MUP[®] MUP INDUSTRIAL CO.,LTD.

NAME: **Smart Card Connector**

MODEL NO: **MUP-C7037-03**

TYPE: **H2.75mm(On board)**

PROJ.	UNIT	SCALE	DRAWN	DATE	DWG NO.:
①	mm	1:1	Zoey	2014/05/25	DWG-C7037-03-01
CUSTOMER DRAWING			CHECKED	2014/05/25	SHEET
			APPROVAL	2014/05/25	REVISION
					1/1
					2

