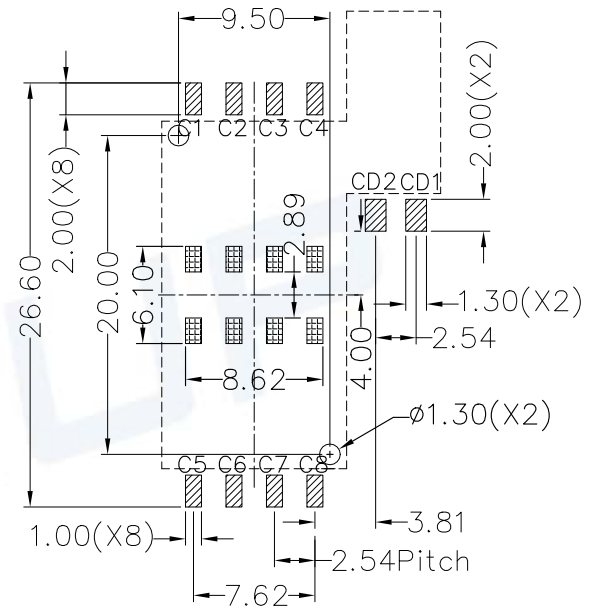
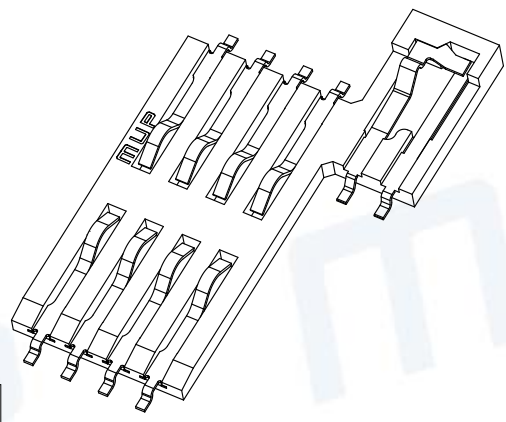
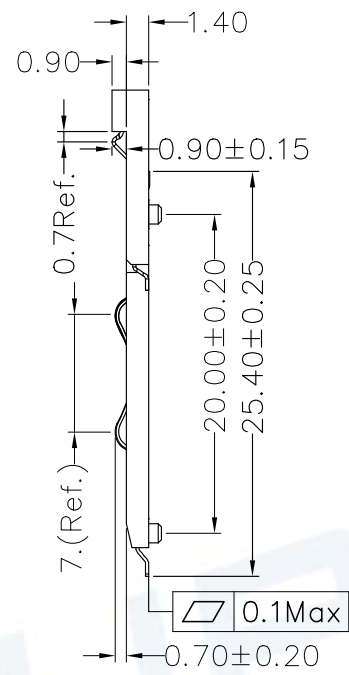
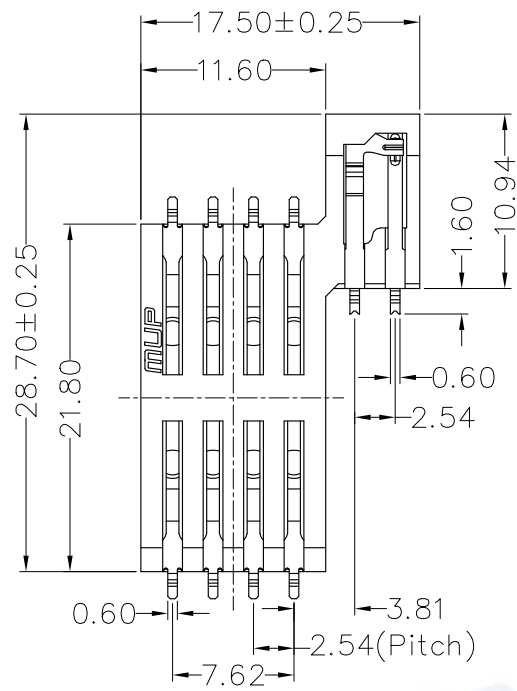


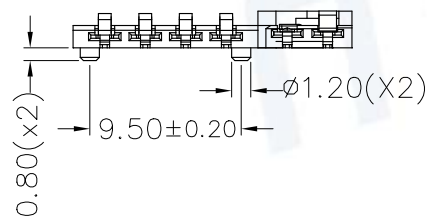
REV.	DESCRIPTION OF REVISIONS	APPR.	CHKD.	DRAW.	DATE
△	New			Zoey	2011/04/23
△	Original Model C736-1			Xufang	2023/10/21



RECOMMENDED P.C.B LAYOUT
COMPONENT SIDE(TOLERANCE ±0.05)

▨ PAD AREA ▤ KEEP OUT AREA

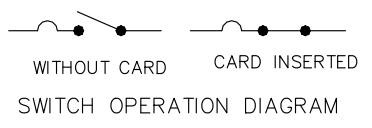
Coplanarity of metal solder pins > 0.15mm
Recommending of solder paste thickness > 0.15mm



TECHNICAL CHARACTERISTICS

- General Characteristics
Dimensions: 28.70LX17.50WX1.40 mm
Weight: Approx.0.64±0.1g
Durability:100,000 cycles min.
- Electrical Characteristics
Contact resistance: 50mΩ typical,100mΩ max
Insulation resistance:>1000MΩ/500V DC
- Solderability
IR reflow: 260°C,10sec.Max
Manual soldering: 370°C,3sec.Max
- Environmental Characteristics
Operating temperature: -40°C~+85°C
Operating humidity: 10%~+95%RH

ELECTRIC FUNCTION	DETECT SWITCH
WITHOUT CARD	OPEN
CARD INSERTED	CLOSED



ITEM	PART NAME	Q'TY	MATERIAL	FINISH
1	BASE	1	Hi-temp Thermoplastic	Black UL94V-0
2	DATA CONTACT	8	Copper Alloy	Contact area:Gold plated
3	SWITCH CONTACT 2	1	Copper Alloy	Contact area:Gold plated
4	SWITCH CONTACT 1	1	Copper Alloy	Contact area:Gold plated

Unless otherwise specified, other tolerance are:

MUP MUP INDUSTRIAL CO.,LTD.

X ±0.35	X* ±5°	NAME: Smart Card Connector		
X.X ±0.25	X.X* ±4°			
X.XX ±0.15	X.XX* ±3°			
X.XXX ±0.10	X.XXX* ±2°			
PROJ.	UNIT mm	SCALE 1:1	DRAWN Zoey Apr.23,2011	DWG NO.: DWG-C7036-01-01
CUSTOMER DRAWING			CHECKED Keye Apr.23,2011	SHEET 1/1
			APPROVAL Simon Apr.23,2011	REVISION 2

