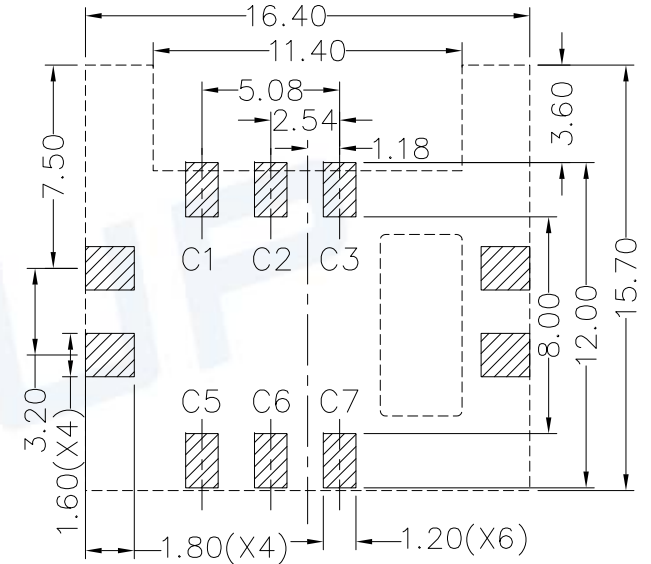
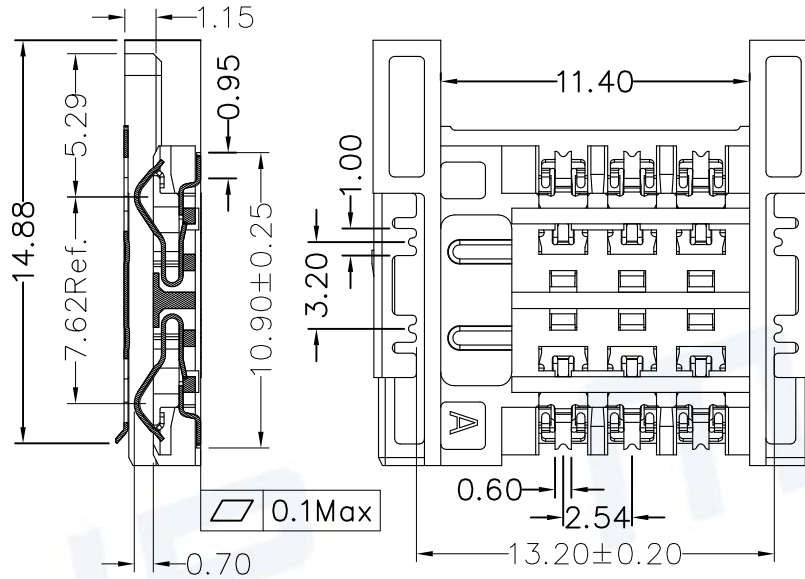
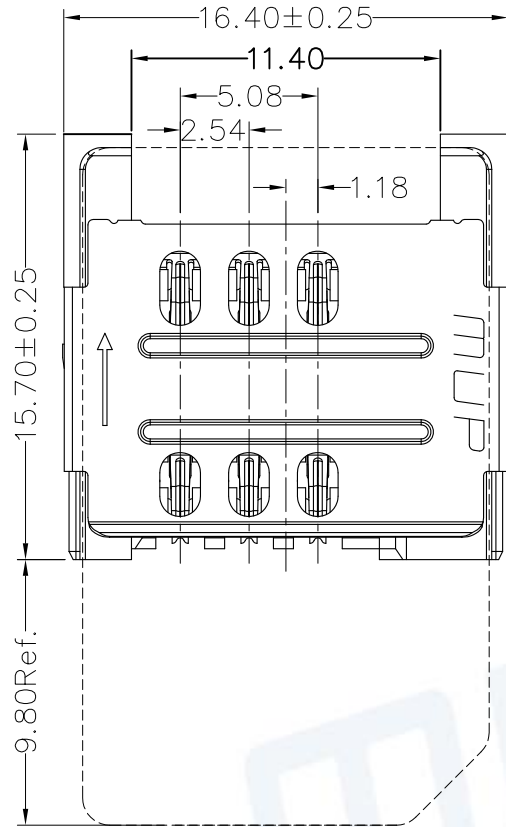
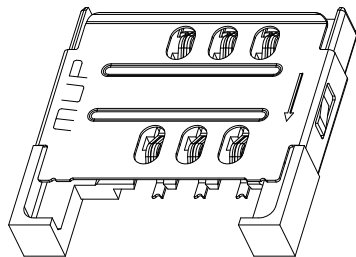
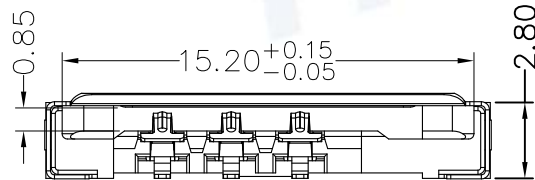


REV.	DESCRIPTION OF REVISIONS	APPR.	CHKD.	DRAW.	DATE
①	NEW			Zoey	2009/12/7
②	Original Model C734-3			HXR	2023/10/19



RECOMMENDED P.C.B LAYOUT
COMPONENT SIDE(TOLERANCE ±0.05)



TECHNICAL CHARACTERISTICS

1.General Characteristics

Dimensions: 15.70LX16.40WX2.80H mm
Weight: Approx 0.53±0.2g
Durability: 5,000 cycles min.

2.Electrical Characteristics

Contact resistance: 50mΩ typical, 100mΩ max
Insulation resistance: >1000MΩ/500V DC

3.Solderability

IR reflow: 260°C, 10sec.Max
Manual soldering: 370°C, 3sec.Max

4.Environmental Characteristics

Operating temperature: -40°C~+85°C
Operating humidity: 10%~+95%RH



ITEM	PART NAME	Q'TY	MATERIAL	FINISH
1	HOUSING	1	Hi-temp Thermoplastic	Black UL94V-0
2	DATA CONTACT	6	Copper Alloy	Contact area:Gold plated
3	SHELL	1	Stainless Steel	SMT area:Gold plated

Unless otherwise specified, other tolerance are:

X	±0.35	X*	±5°
X.X	±0.25	X.X*	±4°
X.XX	±0.15	X.XX*	±3°
X.XXX	±0.10	X.XXX*	±2°

MUP MUP INDUSTRIAL CO.,LTD.

NAME: **SIM Card Connector**
MODEL NO: **MUP-C7034-03**
TYPE: **Without post 6p/ Pin slot opening**

PROJ.	UNIT	SCALE	DRAWN	DWG NO.:
①	mm	1:1	Zoey Dec.07.2009	DWG-C7034-03-01
CUSTOMER DRAWING			CHECKED	SHEET
			Jimmy Dec.07.2009	1/1
			APPROVAL	REVISION
			Jun Dec.07.2009	2