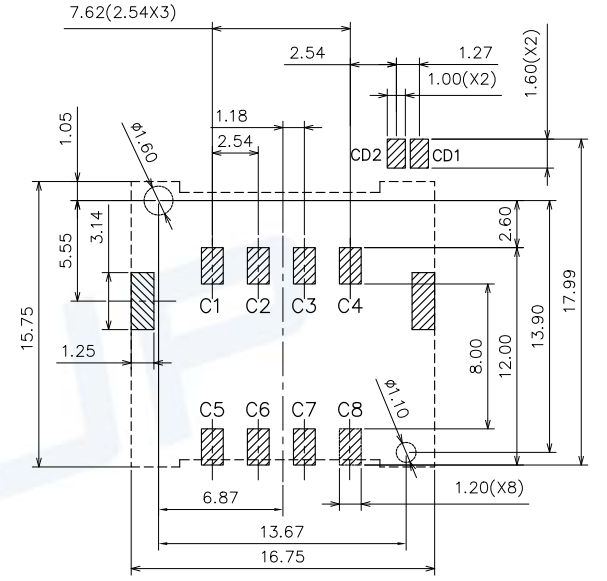
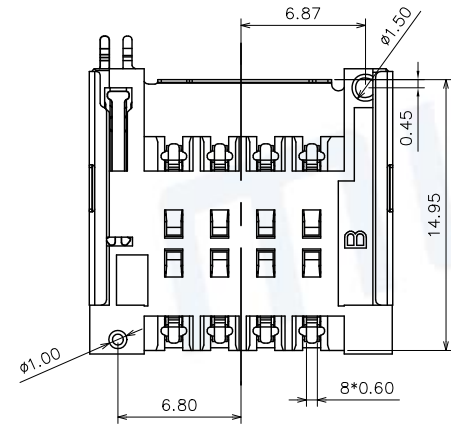
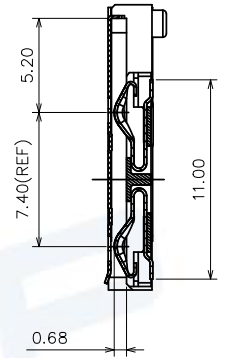
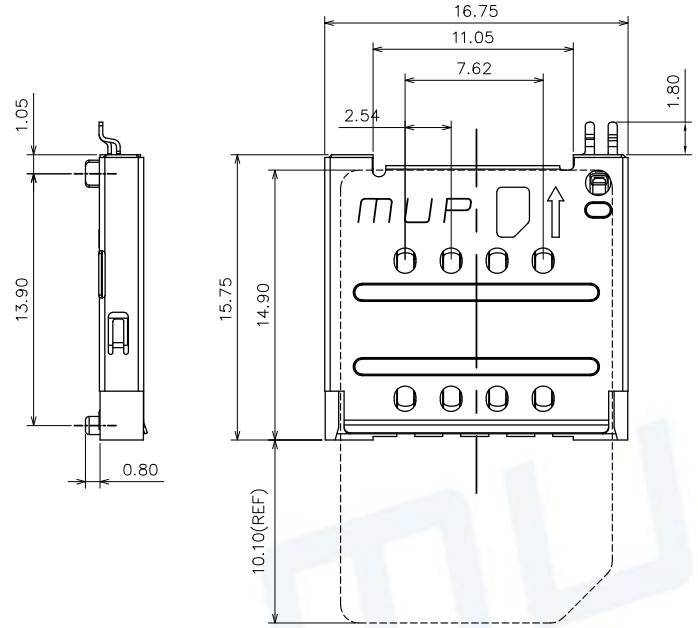
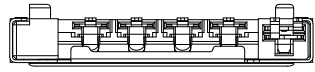
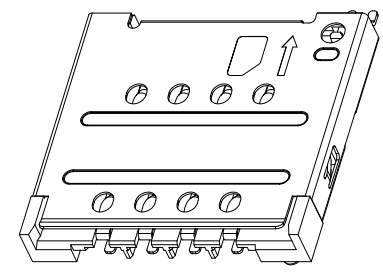
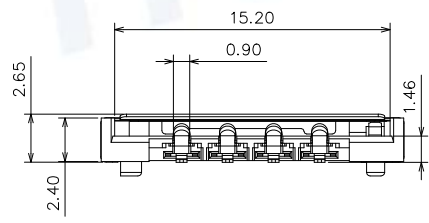


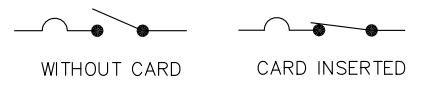
REV.	DESCRIPTION OF REVISIONS	APPR.	CHKD.	DRAW.	DATE
▲	NEW			Huabo	2017/5/10
▲	Original Model C732-3			HXR	2023/10/25



RECOMMENDED P.C.B LAYOUT  
COMPONENT SIDE(TOLERANCE ±0.05)



ELECTRIC FUNCTION	DETECT SWITCH
WITHOUT CARD	OPEN
CARD INSERTED	CLOSED



SWITCH OPERATION DIAGRAM

**TECHNICAL CHARACTERISTICS**

**1.General Characteristics**  
 Dimensions: 16.75LX15.75WX2.60H mm  
 Weight: Approx g  
 Durability: 5,000 cycles min.

**2.Electrical Characteristics**  
 Contact resistance: 50mΩ typical, 100mΩ max  
 Insulation resistance: >1000MΩ/500V DC

**3.Solderability**  
 Vaporphase: 215°C, 30sec.Max  
 IR reflow: 250°C, 5sec.Max  
 Manual soldering: 370°C, 3sec.Max

**4.Environmental Characteristics**  
 Operating temperature: -40°C~+85°C  
 Operating humidity: 10%~+95%RH

ITEM	PART NAME	Q'TY	MATERIAL	FINISH
1	HOUSING	1	Hi-temp Thermoplastic	Black UL94V-0
2	DATA CONTACT	8	Copper Alloy	Contact area:Gold plated
3	SHELL	1	Stainless Steel	SMT area:Ni plated
4	SWITCH CONTACT-1	1	Copper Alloy	Contact area:Gold plated
5	SWITCH CONTACT-2	1	Copper Alloy	Contact area:Gold plated

Unless otherwise specified, other tolerance are:

X	±0.35	X'	±5'
X.X	±0.25	X.X'	±4'
X.XX	±0.15	X.XX'	±3'
X.XXX	±0.10	X.XXX'	±2'

**MUP**® MUP INDUSTRIAL CO.,LTD.

NAME: **SIM Card Connector**

MODEL NO: **MUP-C7032-03**

TYPE: **H2.60 with Post 8p**

PROJ.	UNIT	SCALE
⊕	mm	1:1

CUSTOMER DRAWING

DRAWN	huabo 5/10-17'	DWG NO.:	DWG-C7032-03-01
CHECKED	huabo 5/10-17'	SHEET	1/1
APPROVAL	WANG 5/10-17'	REVISION	2

