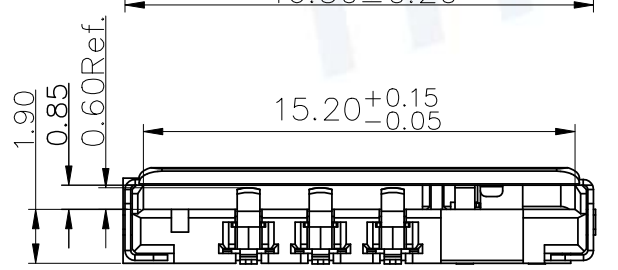
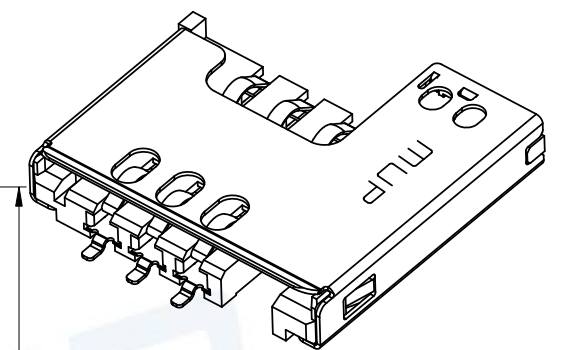
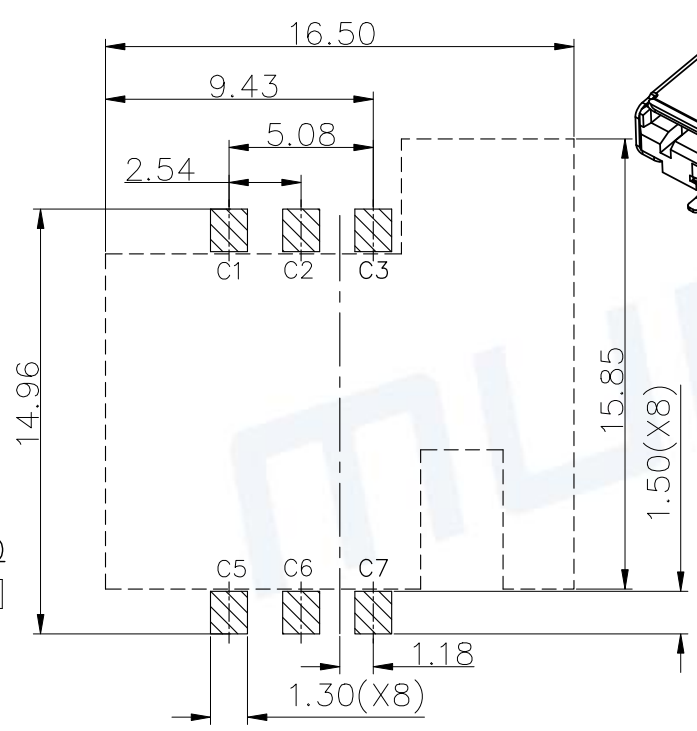
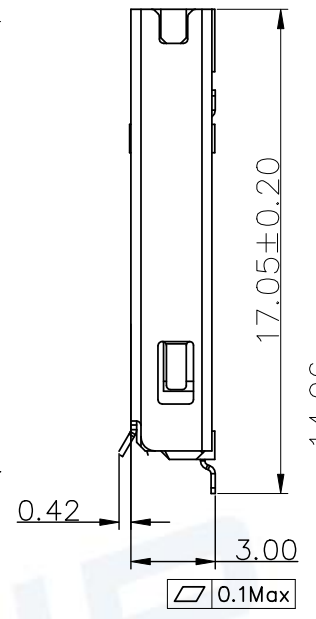
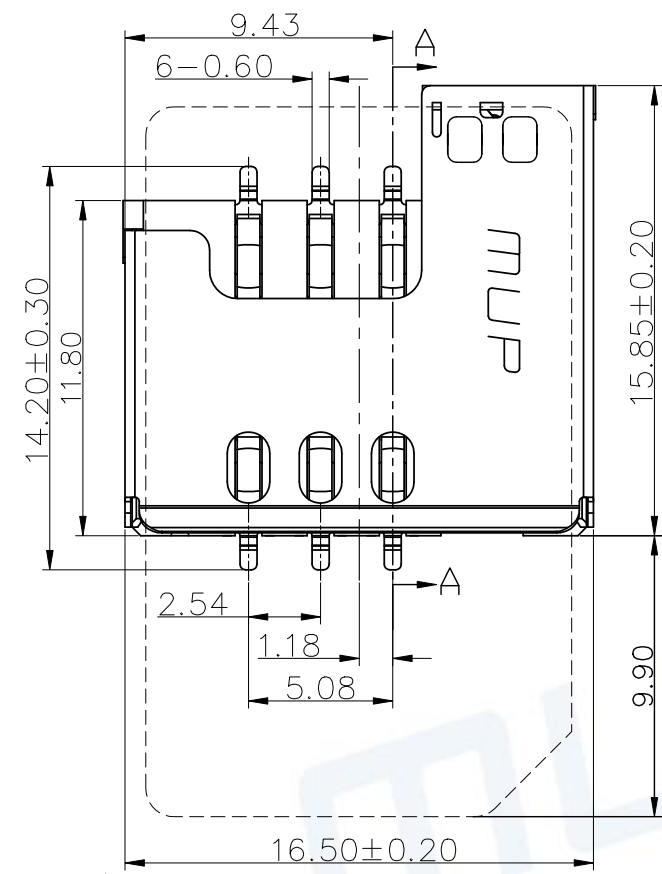


REV.	DESCRIPTION OF REVISIONS	APPR.	CHKD.	DRAW.	DATE
△	NEW			Zoey	2008/8/14
△	Original Model C729-2			HXR	2023/10/23



**TECHNICAL CHARACTERISTICS**

- General Characteristics**  
 Dimensions: 15.85LX16.50WX3.00H mm  
 Weight: Approx 0.78±0.2g  
 Durability: 5,000 cycles min.
- Electrical Characteristics**  
 Contact resistance:  
 50mΩ typical 100mΩ max  
 Insulation resistance:  
 >1000MΩ/500V DC
- Solderability**  
 Vapor phase: 215°C, 30sec. Max  
 IR reflow: 250°C, 5sec. Max  
 Manual soldering: 370°C, 3sec. Max
- Environmental Characteristics**  
 Operating temperature:  
 -40°C~+85°C  
 Operating humidity: 10%~+95%RH

**RECOMMENDED P.C.B LAYOUT**  
 COMPONENT SIDE (TOLERANCE ±0.05)

ITEM	PART NAME	Q'TY	MATERIAL	FINISH
1	BASE	1	Hi-temp Thermoplastic	Black UL94V-0
2	COVER	1	Stainless Steel	
3	DATA CONTACT	6	Copper Alloy	Contact area: Gold plated

Unless otherwise specified, other tolerance are:

**MUP** MUP INDUSTRIAL CO.,LTD.

X ±0.35	X* ±5*	NAME:	<b>SIM Card Connector</b>	
X.X ±0.25	X.X* ±4*	MODEL NO.:	<b>MUP-C7029-02</b>	
X.XX ±0.15	X.XX* ±3*	TYPE :	<b>Without post 6P (long shell)</b>	
X.XXX ±0.10	X.XXX* ±2*	PROJ.	Zoey Aug.14.2008	DWG NO.:
		UNIT	mm	DWG-C7029-02-01
		SCALE	1:1	SHEET
		CUSTOMER DRAWING		REVISION
		APPROVAL	Simon Aug.14.2008	1/1
				2

