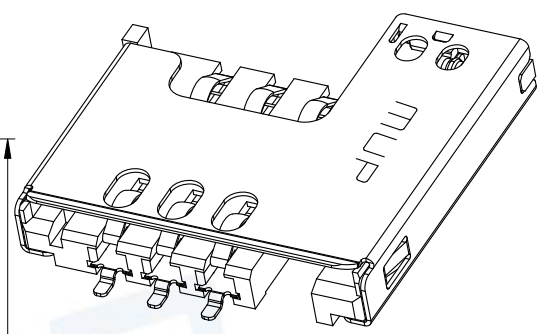
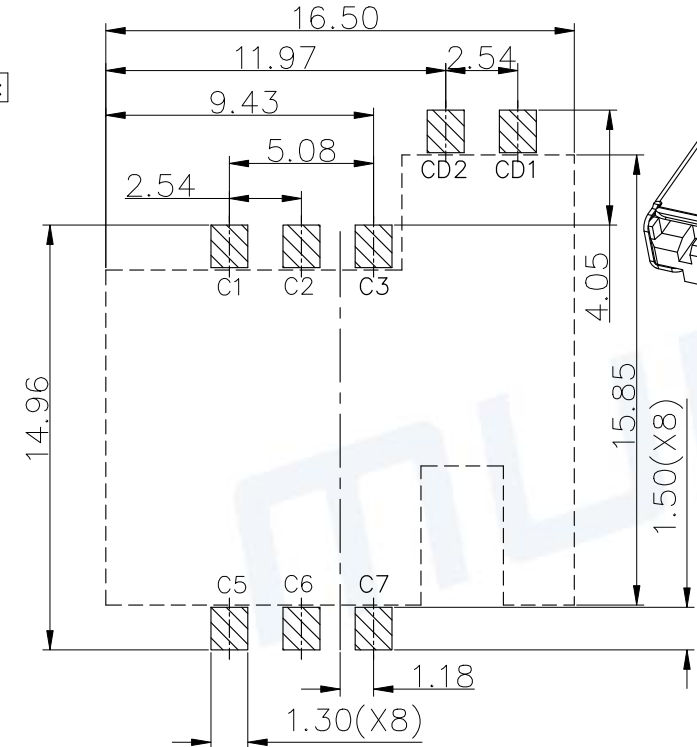
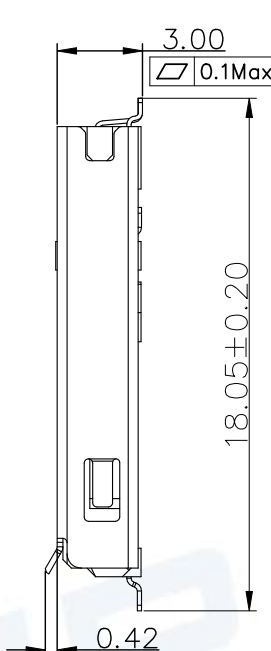
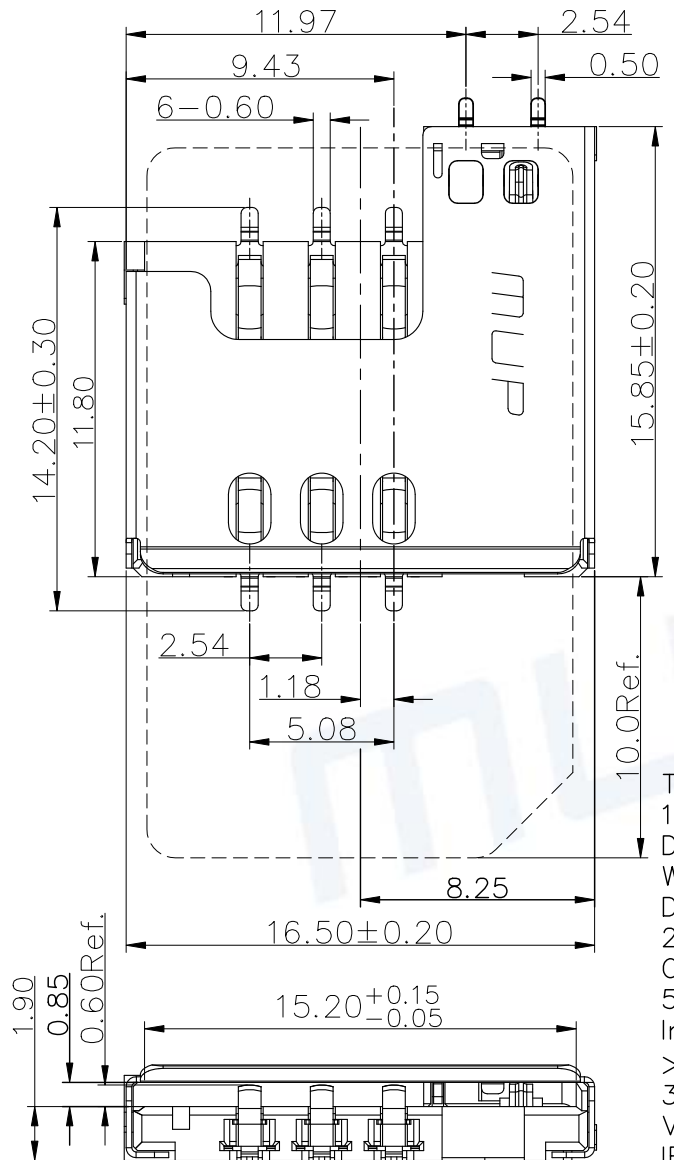
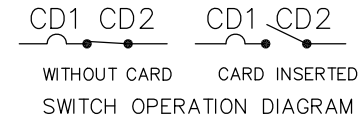


REV.	DESCRIPTION OF REVISIONS	APPR.	CHKD.	DRAW.	DATE
▲	NEW			Zoey	2008/8/14
▲	Original Model C727-21			HXR	2023/10/23



ELECTRIC FUNCTION	DETECT SWITCH
WITHOUT CARD	CLOSED
CARD INSERTED	OPEN



**TECHNICAL CHARACTERISTICS**

- General Characteristics**  
 Dimensions: 15.85LX16.50WX3.00H mm  
 Weight: Approx 0.78±0.2g  
 Durability: 5,000 cycles min.
- Electrical Characteristics**  
 Contact resistance:  
 50mΩ typical 100mΩ max  
 Insulation resistance:  
 >1000MΩ/500V DC
- Solderability**  
 Vapor phase: 215°C, 30sec. Max  
 IR reflow: 250°C, 5sec. Max  
 Manual soldering: 370°C, 3sec. Max
- Environmental Characteristics**  
 Operating temperature:  
 -40°C~+85°C  
 Operating humidity: 10%~+95%RH

**RECOMMENDED P.C.B LAYOUT COMPONENT SIDE (TOLERANCE ±0.05)**

ITEM	PART NAME	Q'TY	MATERIAL	FINISH
1	BASE	1	Hi-temp Thermoplastic	Black UL94V-0
2	COVER	1	Stainless Steel	
3	DATA CONTACT	6	Copper Alloy	Contact area: Gold plated
4	SWITCH CONTACT 2	1	Copper Alloy	Contact area: Gold plated
5	SWITCH CONTACT 1	1	Copper Alloy	Contact area: Gold plated

Unless otherwise specified, other tolerance are:

X	±0.35	X*	±5*
X.X	±0.25	X.X*	±4*
X.XX	±0.15	X.XX*	±3*
X.XXX	±0.10	X.XXX*	±2*

**MUP** MUP INDUSTRIAL CO.,LTD.

NAME: **SIM Card Connector**  
 MODEL NO: **MUP-C7027-21**  
 TYPE: **Without post/Normally close**

PROJ. UNIT mm SCALE 1:1  
 CUSTOMER DRAWING

DRAWN Zoey Aug.14.2008  
 CHECKED Jimmy Aug.14.2008  
 APPROVAL Simon Aug.14.2008

DWG NO.: DWG-C7027-21-01  
 SHEET 1/1 REVISION 2

