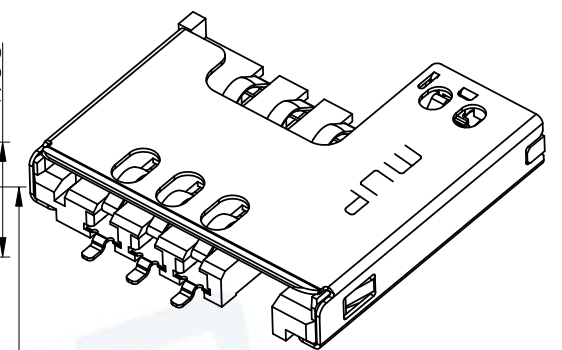
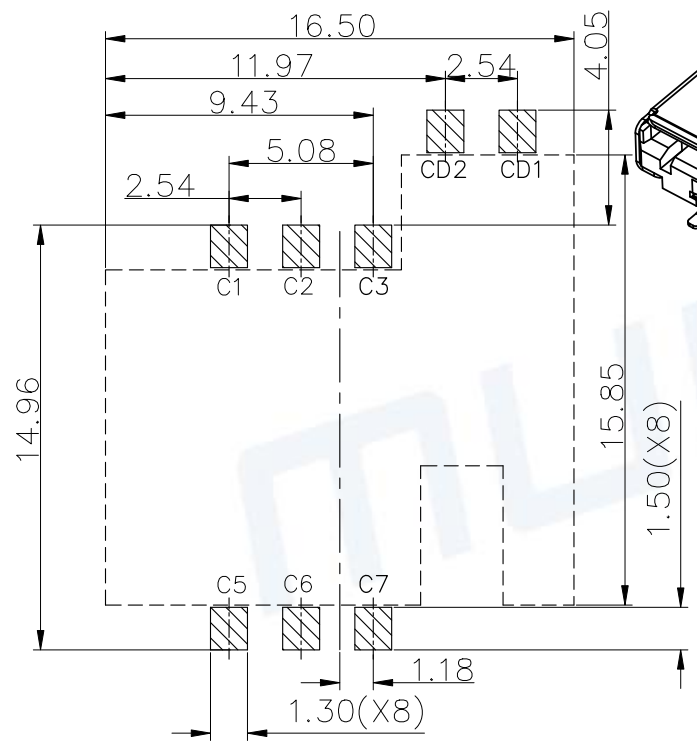
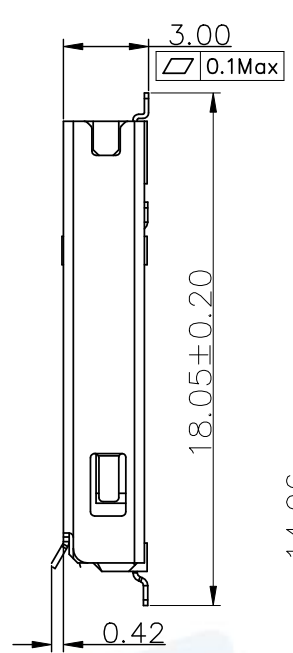
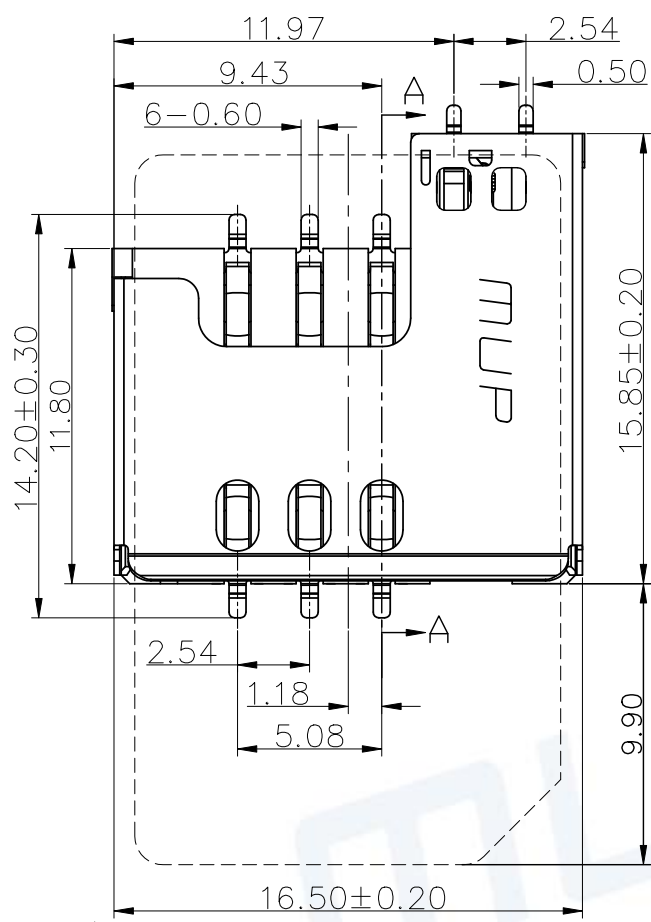
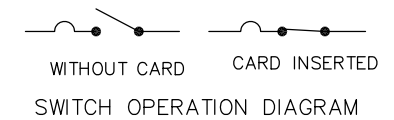


| REV. | DESCRIPTION OF REVISIONS | APPR. | CHKD. | DRAW. | DATE |
|------|--------------------------|-------|-------|-------|------------|
| ▲ | NEW | | | Zoey | 2008/8/14 |
| ▲ | Original Model C727-2 | | | HXR | 2023/10/23 |



| ELECTRIC FUNCTION | DETECT SWITCH |
|-------------------|---------------|
| WITHOUT CARD | OPEN |
| CARD INSERTED | CLOSED |



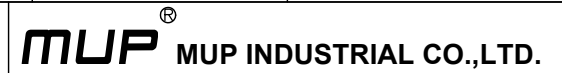
TECHNICAL CHARACTERISTICS

- General Characteristics**
 Dimensions: 15.85LX16.50WX3.00H mm
 Weight: Approx 0.78±0.2g
 Durability: 5,000 cycles min.
- Electrical Characteristics**
 Contact resistance:
 50mΩ typical 100mΩ max
 Insulation resistance:
 >1000MΩ/500V DC
- Solderability**
 Vapor phase: 215°C, 30sec. Max
 IR reflow: 250°C, 5sec. Max
 Manual soldering: 370°C, 3sec. Max
- Environmental Characteristics**
 Operating temperature:
 -40°C~+85°C
 Operating humidity: 10%~+95%RH

RECOMMENDED P.C.B LAYOUT
 COMPONENT SIDE (TOLERANCE ±0.05)

| ITEM | PART NAME | Q'TY | MATERIAL | FINISH |
|------|------------------|------|-----------------------|---------------------------|
| 1 | BASE | 1 | Hi-temp Thermoplastic | Black UL94V-0 |
| 2 | COVER | 1 | Stainless Steel | |
| 3 | DATA CONTACT | 6 | Copper Alloy | Contact area: Gold plated |
| 4 | SWITCH CONTACT 2 | 1 | Copper Alloy | Contact area: Gold plated |
| 5 | SWITCH CONTACT 1 | 1 | Copper Alloy | Contact area: Gold plated |

Unless otherwise specified, other tolerance are:



| | | | |
|------------------|------------|---|----------------------------|
| X ±0.35 | X* ±5* | NAME: SIM Card Connector | |
| X.X ±0.25 | X.X* ±4* | MODEL NO: MUP-C7027-02 | |
| X.XX ±0.15 | X.XX* ±3* | TYPE: Without post/Normally open(long shell) | |
| X.XXX ±0.10 | X.XXX* ±2* | PROJ. | DRAWN Zoey Aug.14.2008 |
| | | UNIT mm | CHECKED Jimmy Aug.14.2008 |
| | | SCALE 1:1 | APPROVAL Simon Aug.14.2008 |
| CUSTOMER DRAWING | | DWG NO.: DWG-C7027-02-01 | SHEET 1/1 |
| | | | REVISION 2 |

