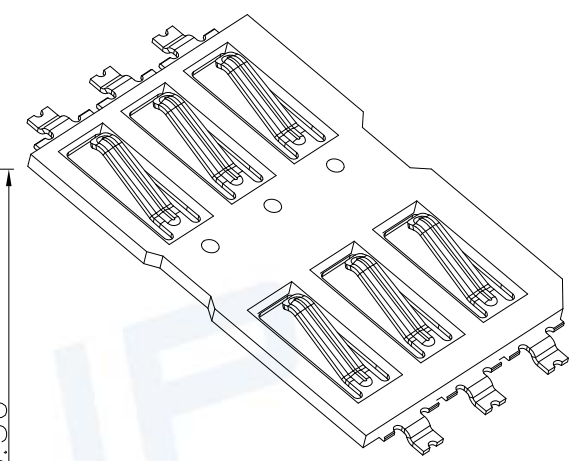
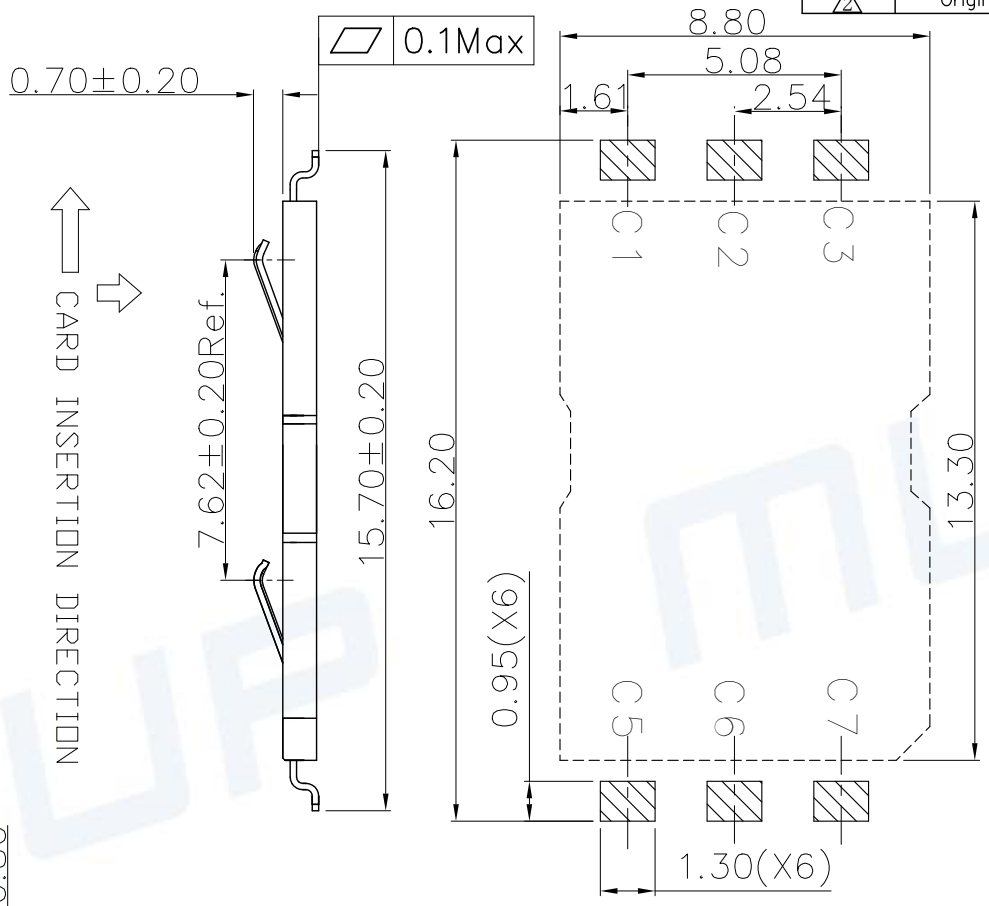
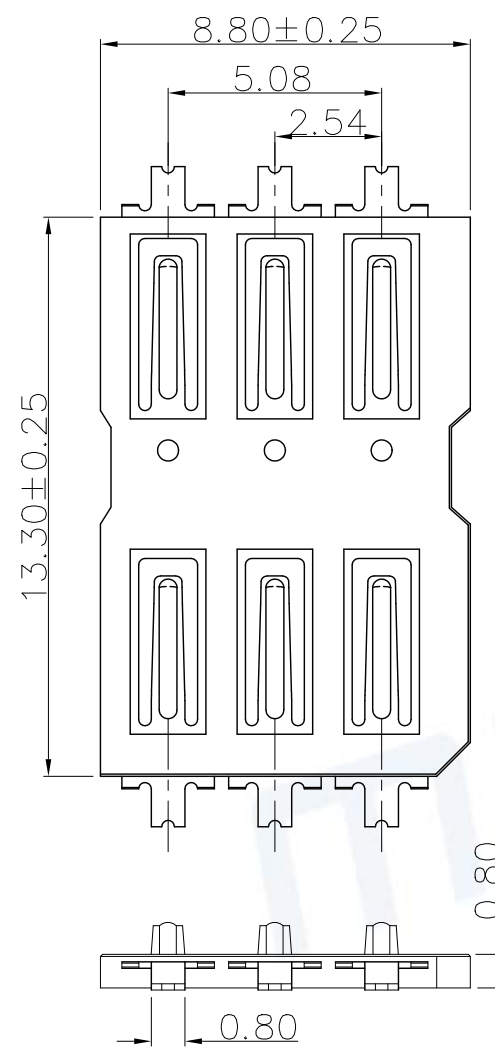


REV.	DESCRIPTION OF REVISIONS	APPR.	CHKD.	DRAW.	DATE
▲	NEW			Zoey	2010/9/13
▲	Original Model C726-21			HXR	2023/10/23



RECOMMENDED P.C.B LAYOUT  
COMPONENT SIDE(TOLERANCE ±0.05)

**TECHNICAL CHARACTERISTICS**  
 1.General Characteristics  
 Dimensions:13.30LX8.80WX0.50H mm  
 Weight:Approx 0.13±0.1g  
 Durability:5,000 cycles min.  
 2.Electrical Characteristics  
 Contact resistance:50mΩ typical,100mΩ max  
 Insulation resistance:>1000MΩ/500V DC  
 3.Solderability  
 Vapor phase:215°C,30sec.Max  
 IR reflow:250°C,5sec.Max  
 Manual soldering:370°C,3sec.Max  
 4.Environmental Characteristics  
 Operating temperature:-40°C~+85°C  
 Operating humidity:10%~+95%RH

ITEM	PART NAME	Q'TY	MATERIAL	FINISH
1	BASE	1	Hi-temp Thermoplastic	Black UL94V-0
2	DATA CONTACT	6	Copper Alloy	Contact area:Gold plated

Unless otherwise specified, other tolerance are:

X	±0.35	X'	±5'
X.X	±0.25	X.X'	±4'
X.XX	±0.15	X.XX'	±3'
X.XXX	±0.10	X.XXX'	±2'

NAME: **SIM Card Connector**  
 MODEL NO: **MUP-C7026-21**  
 TYPE: **H0.80 Without post 6P**

PROJ.	UNIT	SCALE	DRAWN	Zoey Sep.13.2010	DWG NO.:	DWG-C7026-21-01
	mm	1:1	CHECKED	Jimmy Sep.13.2010	SHEET	1/1
CUSTOMER DRAWING			APPROVAL	Simon Sep.13.2010	REVISION	2

