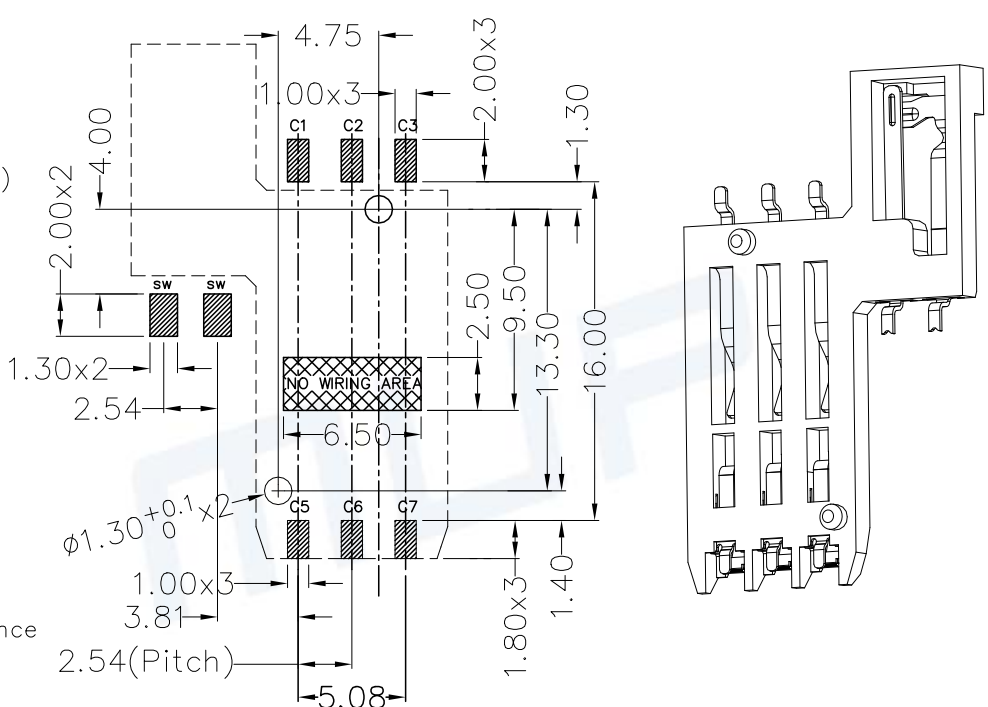
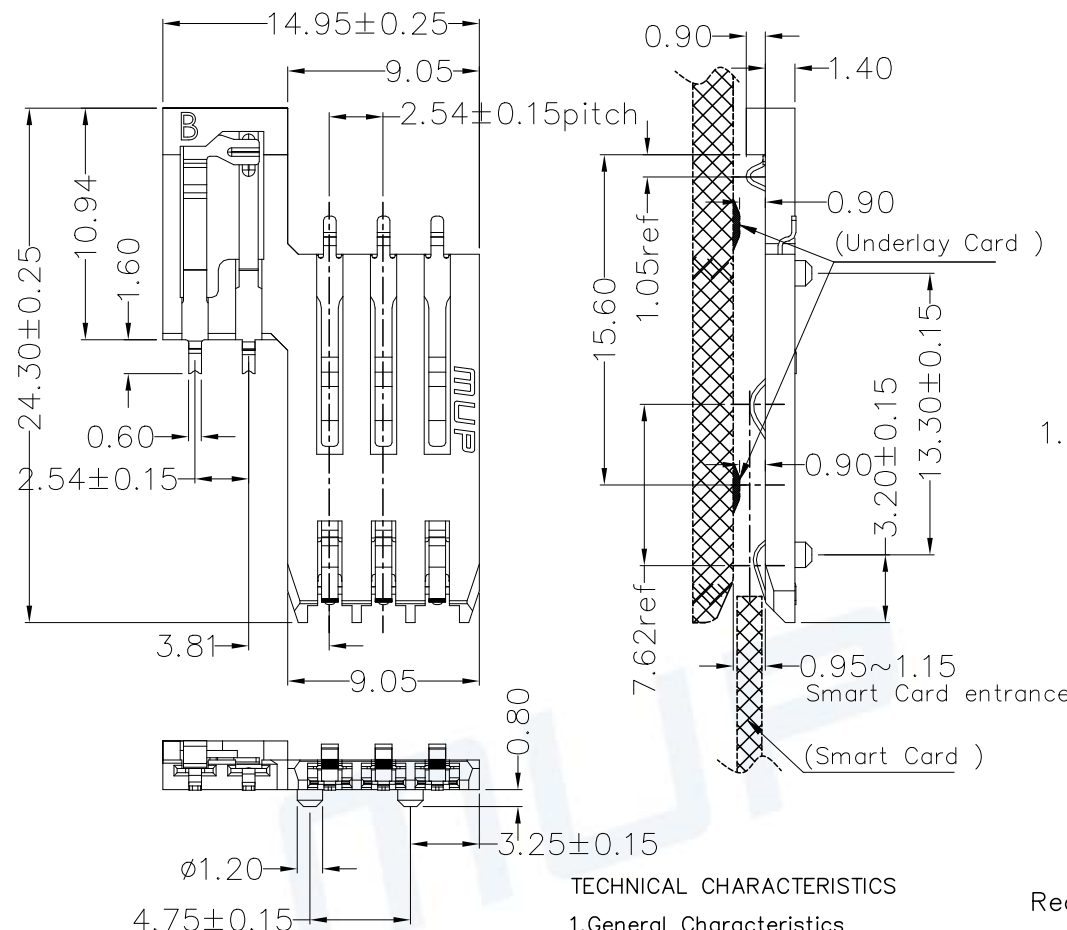


REV.	DESCRIPTION OF REVISIONS	APPR.	CHEC.	DRAW.	DATE
△	NEW			Zoey	2023/03/07
△	Original Model C724-3			Jicks	2023/10/19



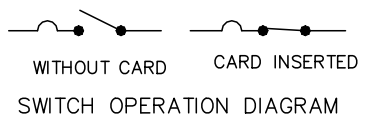
PAD AREA
 STAND OFF AREA

RECOMMENDED P.C.B LAYOUT
COMPONENT SIDE (TOLERANCE ±0.05)
 Coplanarity of metal solder pins 0.15mm
 Recommending of solder paste thickness > 0.15mm

TECHNICAL CHARACTERISTICS

- General Characteristics**
 Dimensions: 24.30LX14.95WX1.40H mm
 Weight: Approx 0.43±0.15g
 Durability: 30,000 cycles min.
 (The height of the bayonet directly affects the service life)
- Electrical Characteristics**
 Contact resistance: 50mΩ typical, 100mΩ max
 Insulation resistance: >1000MΩ/500V DC
 Switch Contact resistance: 100mΩ typical, 200mΩ max
 Switch Insulation resistance: 100MΩ min
- Solderability**
 Vapor phase: 215°C.30sec.Max
 IR reflow: 260°C.10sec.Max
 Manual soldering: 370°C, 3sec.Max
- Environmental Characteristics**
 Operating temperature: -40°C~+85°C
 Operating humidity: 10%~+95%RH

ELECTRIC FUNCTION	DETECT SWITCH
WITHOUT CARD	OPEN
CARD INSERTED	CLOSED



ITEM	PART NAME	Q'TY	MATERIAL	FINISH
1	BASE	1	Hi-temp Thermoplastic	Black UL94V-0
2	DATA CONTACT 1	3	Copper Alloy	Contact area:Gold plated
3	DATA CONTACT 2	3	Copper Alloy	Contact area:Gold plated
4	SWITCH CONTACT 1	1	Copper Alloy	Contact area:Gold plated
5	SWITCH CONTACT 2	1	Copper Alloy	Contact area:Gold plated

Unless otherwise specified, other tolerance are:

X ±0.45	X* ±5*	MUP[®] MUP INDUSTRIAL CO.,LTD. NAME: Smart Card Acceptor MODEL NO: MUP-C7024-03 TYPE: Normally open (6P H1.40mm)
X.X ±0.35	X.X* ±4*	
X.XX ±0.25	X.XX* ±3*	
X.XXX ±0.10	X.XXX* ±2*	

PROJ.	UNIT	SCALE	DRAWN	Zoey	2023/03/07	DWG NO.:	DWG-C7024-03-01
	mm	1:1	CHECKED	Keey	2023/03/07	SHEET	1/1
CUSTOMER DRAWING			APPROVAL	Simon	2023/03/07	REVISION	2

