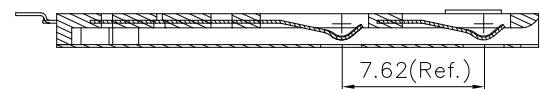
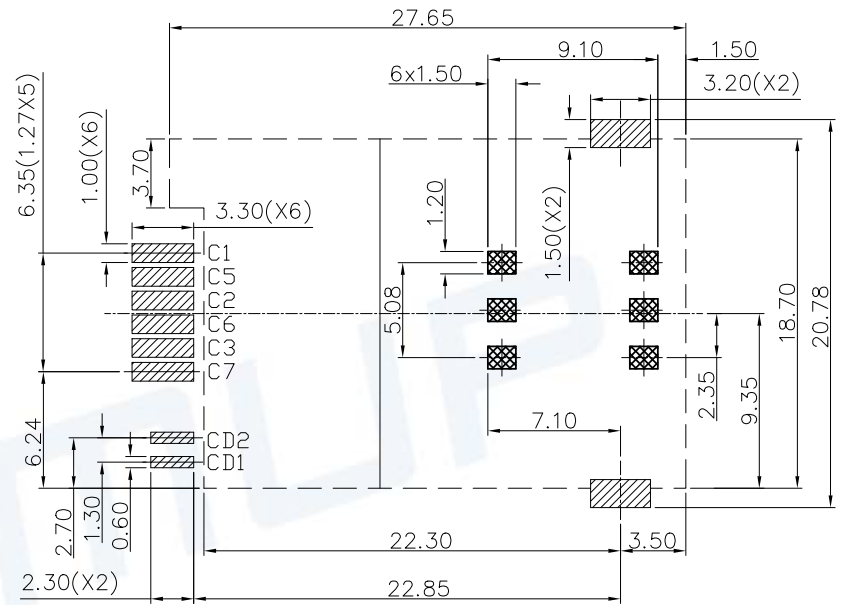
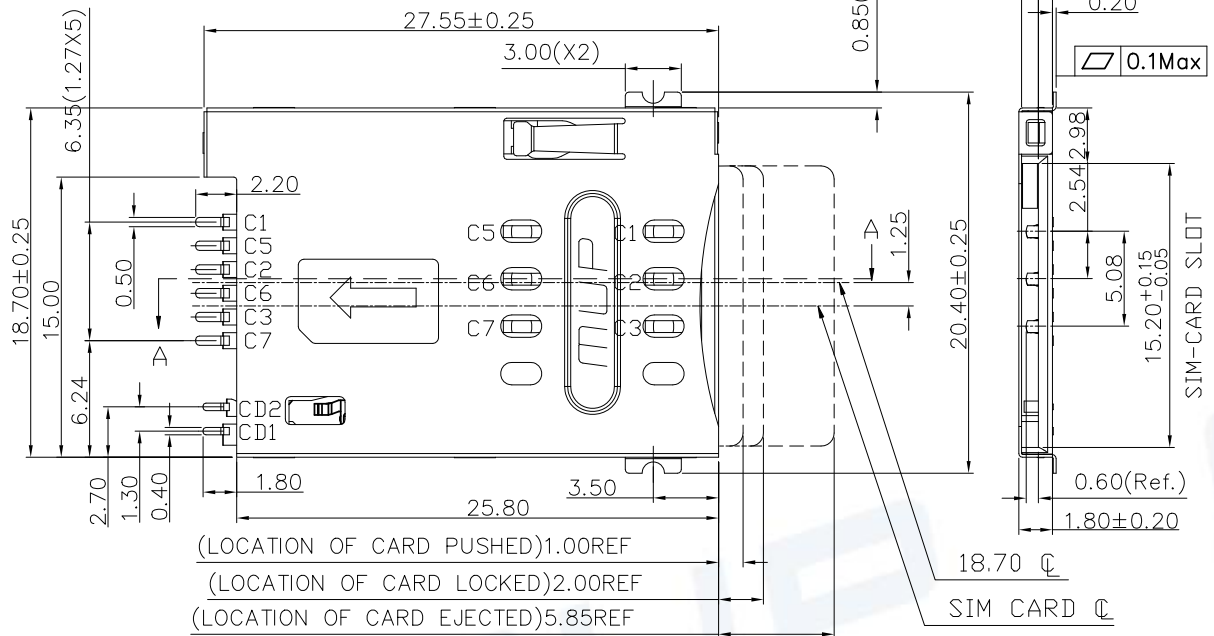


REV.	DESCRIPTION OF REVISIONS	APPR.	CHKD.	DRAW.	DATE
△	NEW			Henry	2014/9/30
△	Original Model C720-2			Henry	2023/10/17



SECTION A-A



PAD AREA
 CONNECTOR OUTLINE
 NO PATTERN AND VIA HOLE IN THIS AREA

TECHNICAL CHARACTERISTICS

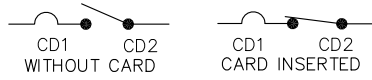
1.General Characteristics
 Dimensions:27.60LX18.70WX1.80H mm
 Weight:Approx 1.33g
 Durability:5,000 cycles min.

2.Electrical Characteristics
 Contact resistance:50mΩ typical,
 100mΩ max
 Insulation resistance:>1000MΩ/500V DC

3.Solderability
 Vapor phase:215°C,30sec.Max
 IR reflow:250°C,5sec.Max
 Manual soldering:370°C,3sec.Max

4.Environmental Characteristics
 Operating temperature:-40°C~+85°C
 Operating humidity:10%~+95%RH

ELECTRIC FUNCTION	DETECT SWITCH
WITHOUT CARD	OPEN
CARD INSERTED	CLOSED



SWITCH OPERATION DIAGRAM

ITEM	PART NAME	Q'TY	MATERIAL	FINISH
1	HOUSING	1	Hi-temp Thermoplastic	Black UL94V-0
2	SHELL	1	Stainless Steel	SMT area:Gold plated
3	DATA CONTACT	6	Copper Alloy	Contact area:Gold plated
4	HEART CAM	1	Hi-temp Thermoplastic	Black UL94V-0
5	COLL SPRING	1	SWP.	
6	CAM PIN	1	Stainless Steel	
7	CD2 SWITCH	1	Copper Alloy	Contact area:Gold plated

Unless otherwise specified, other tolerance are:

X	±0.35	X*	±5*
X.X	±0.25	X.X*	±4*
X.XX	±0.15	X.XX*	±3*
X.XXX	±0.10	X.XXX*	±2*

MUP MUP INDUSTRIAL CO.,LTD.

NAME: **SIM Card Connector**
 MODEL NO: **MUP-C7020-02**
 TYPE: **Without post /6pin /Normally open**

PROJ.	UNIT	SCALE
	mm	1:1

DRAWN	Henry Sep.30.2014
CHECKED	Henry Sep.30.2014
APPROVAL	Simon Sep.30.2014

DWG NO.:	
DWGP-C7020-02-01	
SHEET	REVISION
1/1	2



CUSTOMER DRAWING