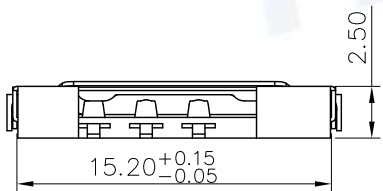
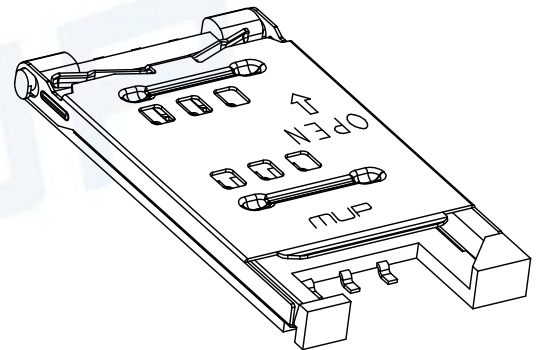
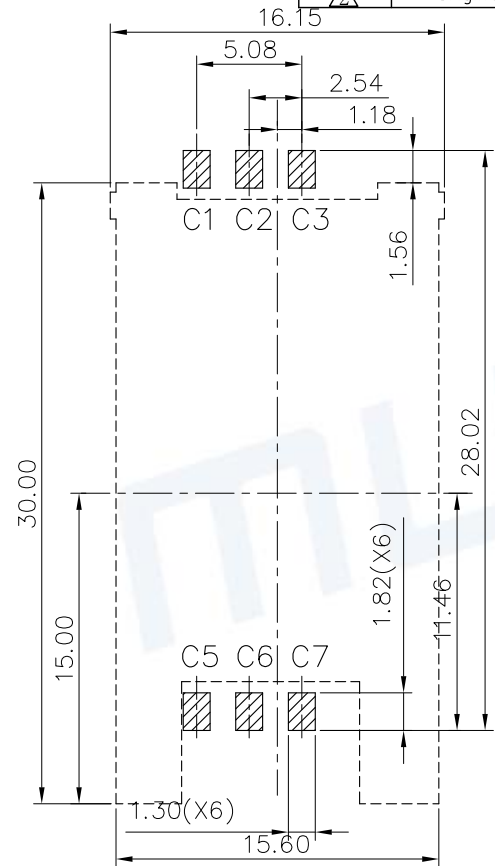
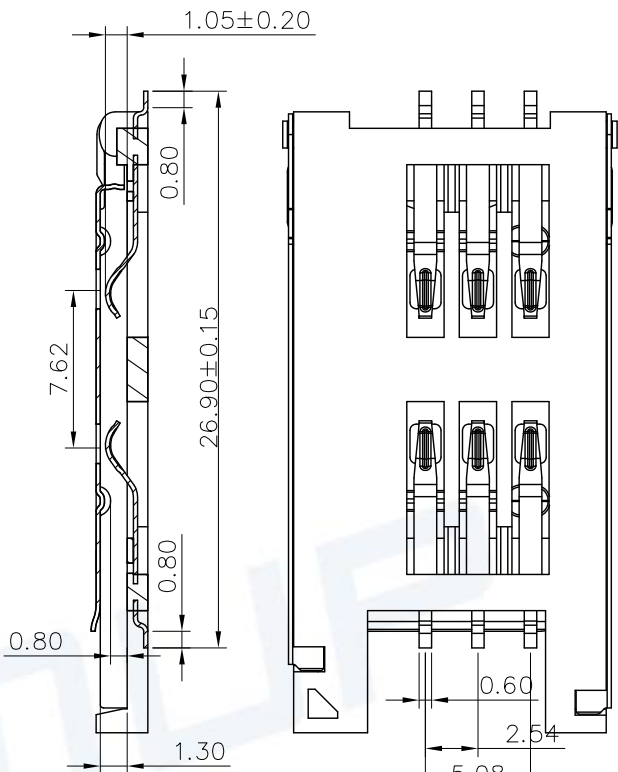
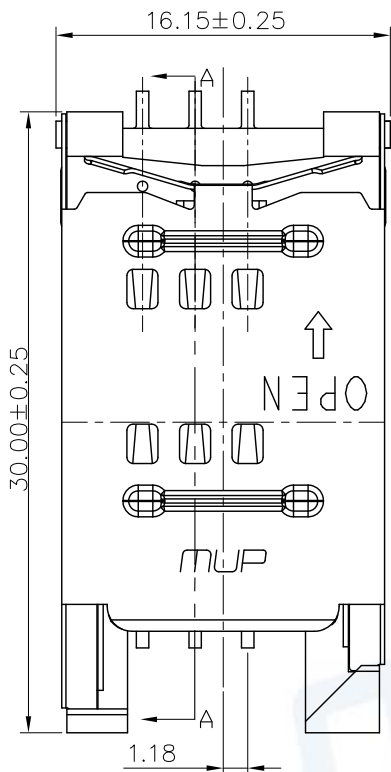


REV.	DESCRIPTION OF REVISIONS	APPR.	CHKD.	DRAW.	DATE
1	NEW			Zoey	2009/4/9
2	Original Model C714-2			HXR	2023/10/19



SECTION A-A

RECOMMENDED P.C.B LAYOUT
COMPONENT SIDE(TOLERANCE ±0.05)

TECHNICAL CHARACTERISTICS

1.General Characteristics
 Dimensions: 30.00LX16.15WX2.50H mm
 Weight: Approx1.30±0.2g
 Durability: 5,000 cycles min.

2.Electrical Characteristics
 Contact resistance: 50mΩ typical,100mΩ max
 Insulation resistance: >1000MΩ/500V DC

3.Solderability
 Vapor phase: 215°C,30sec.Max
 IR reflow: 250°C,5sec.Max
 Manual soldering: 370°C,3sec.Max

4.Environmental Characteristics
 Operating temperature: -40°C~+85°C
 Operating humidity: 10%~+95%RH

ITEM	PART NAME	Q'TY	MATERIAL	FINISH
1	BASE	1	Hi-temp Thermoplastic	Black UL94V-0
2	COVER	1	Stainless steel	
3	DATA CONTACT	6	Copper Alloy	Contact area:Gold plated

Unless otherwise specified, other tolerance are:

X	±0.35	X'	±5'
X.X	±0.25	X.X'	±4'
X.XX	±0.15	X.XX'	±3'
X.XXX	±0.10	X.XXX'	±2'

MUP MUP INDUSTRIAL CO.,LTD.

NAME: **SIM Card Connector**
 MODEL NO: **MUP-C7014-02**
 TYPE: **H2.7 without post 6p**

PROJ.	UNIT	SCALE	DRAWN	Zoey Apr.09.2009	DWG NO.:	DWG-C7014-02-01
	mm	1:1	CHECKED	Jimmy Apr.09.2009	SHEET	1/1
CUSTOMER DRAWING			APPROVAL	Simon Apr.09.2009	REVISION	2

