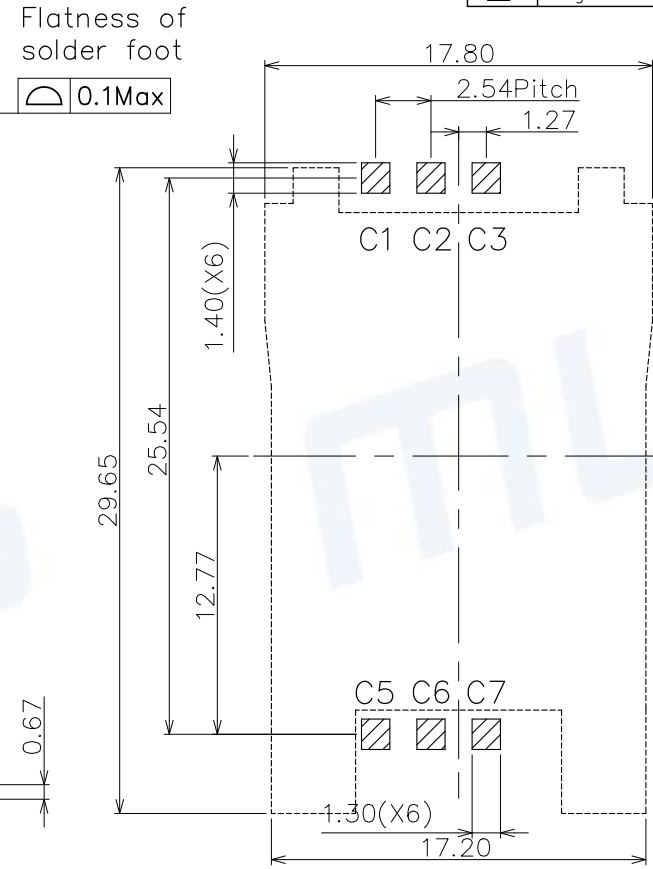
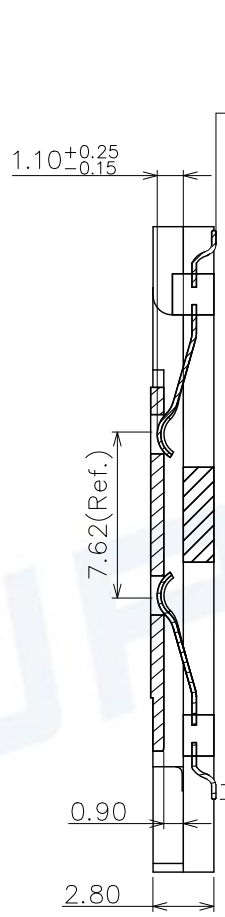
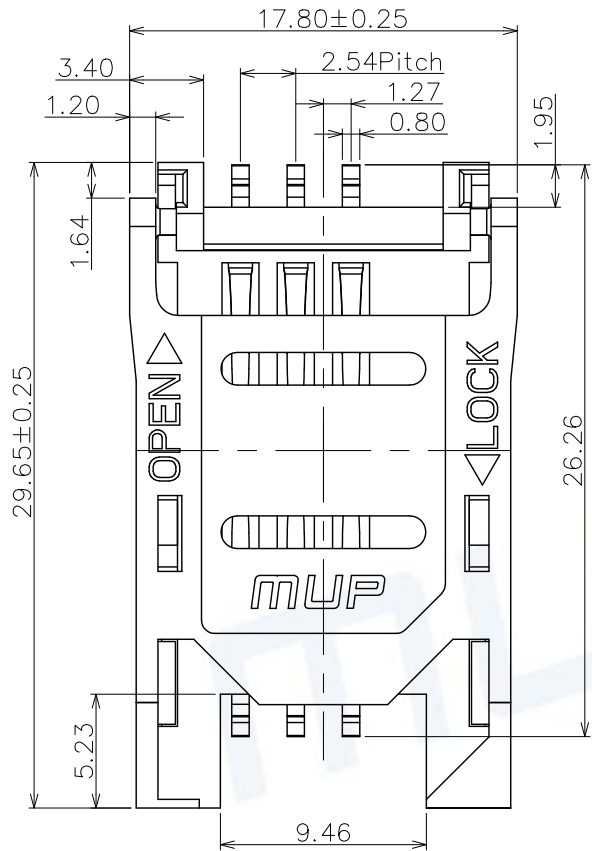


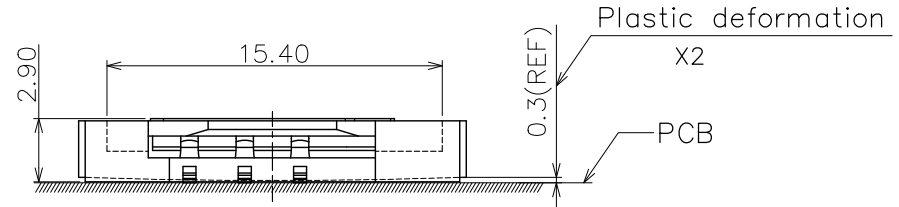
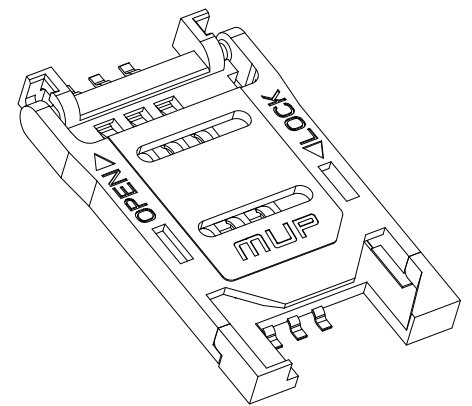
| REV. | DESCRIPTION OF REVISIONS | APPR. | CHKD. | DRAW. | DATE       |
|------|--------------------------|-------|-------|-------|------------|
| △    | 新开                       |       |       | huabo | 2018.9.18  |
| △    | 增加主体塑性变形尺寸               |       |       | huabo | 2020.9.17  |
| △    | Original Model C713-27   |       |       | huabo | 2023.10.26 |



RECOMMENDED P.C.B LAYOUT  
COMPONENT SIDE(TOLERANCE ±0.05)

**TECHNICAL CHARACTERISTICS**

- General Characteristics  
Durability: 5,000 cycles min.
- Electrical Characteristics  
Contact resistance: Initial: 50mΩ Max.  
After Test: 100mΩ Max.  
Insulation resistance: >1000MΩ/500V DC
- Solderability  
IR reflow: 250°C, 5sec. Max  
Manual soldering: 370°C, 3sec. Max
- Environmental Characteristics  
Operating temperature: -40°C~+85°C  
Operating humidity: 10%~+95%RH



| ITEM | PART NAME    | Q'TY | MATERIAL              | FINISH                      |
|------|--------------|------|-----------------------|-----------------------------|
| 1    | BASE         | 1    | Hi-temp Thermoplastic | Black UL94V-0               |
| 2    | COVER        | 1    | Hi-temp Thermoplastic | Black UL94V-0               |
| 3    | DATA CONTACT | 6    | Copper Alloy          | Contact area: 5u" Au plated |

Unless otherwise specified, other tolerance are:

|       |       |        |     |
|-------|-------|--------|-----|
| X     | ±0.35 | X*     | ±5* |
| X.X   | ±0.25 | X.X*   | ±4* |
| X.XX  | ±0.15 | X.XX*  | ±3* |
| X.XXX | ±0.10 | X.XXX* | ±2* |

**MUP** MUP INDUSTRIAL CO.,LTD.

NAME: **SIM Card Connector**

MODEL NO: **MUP-C7013-27**

TYPE: **H2.8 without post 6p**

|                  |      |       |          |       |             |                 |
|------------------|------|-------|----------|-------|-------------|-----------------|
| PROJ.            | UNIT | SCALE | DRAWN    | HUABO | SEP.18.2018 | DWG NO.:        |
| ①                | mm   | 1:1   | CHECKED  | Jimmy | SEP.18.2018 | DWG-C7013-27-01 |
| CUSTOMER DRAWING |      |       | APPROVAL | Jun   | SEP.18.2018 | SHEET           |
|                  |      |       |          |       |             | 1/1             |
|                  |      |       |          |       |             | REVISION        |
|                  |      |       |          |       |             | 3               |

