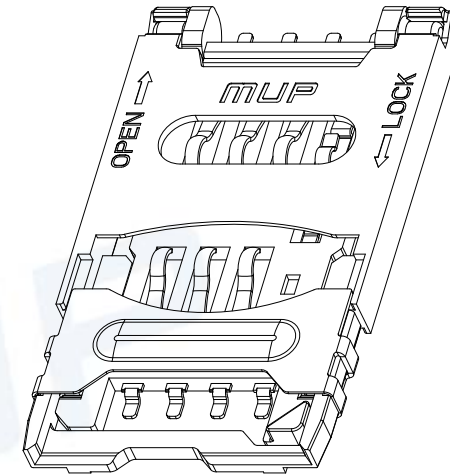
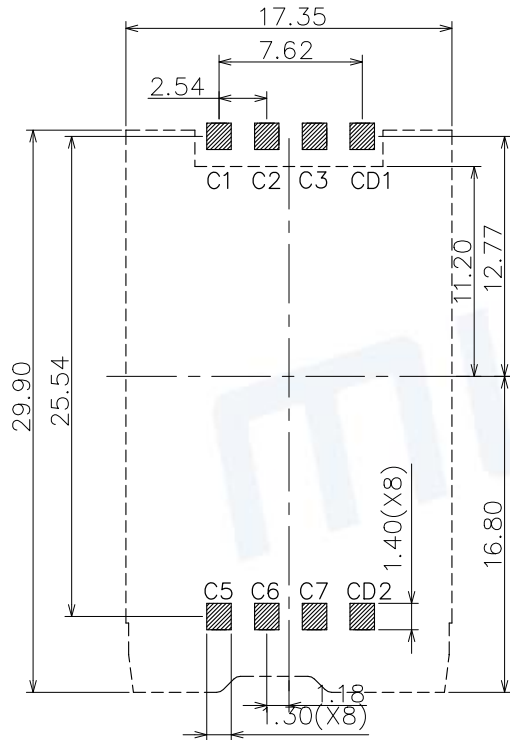
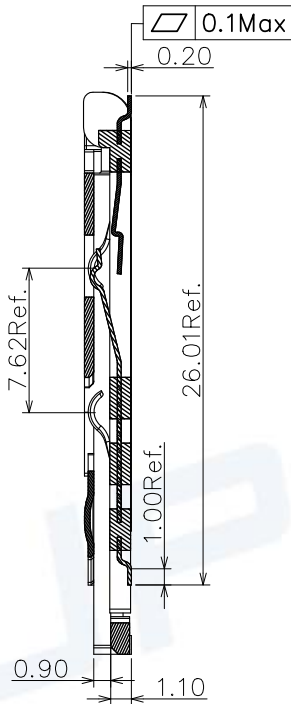
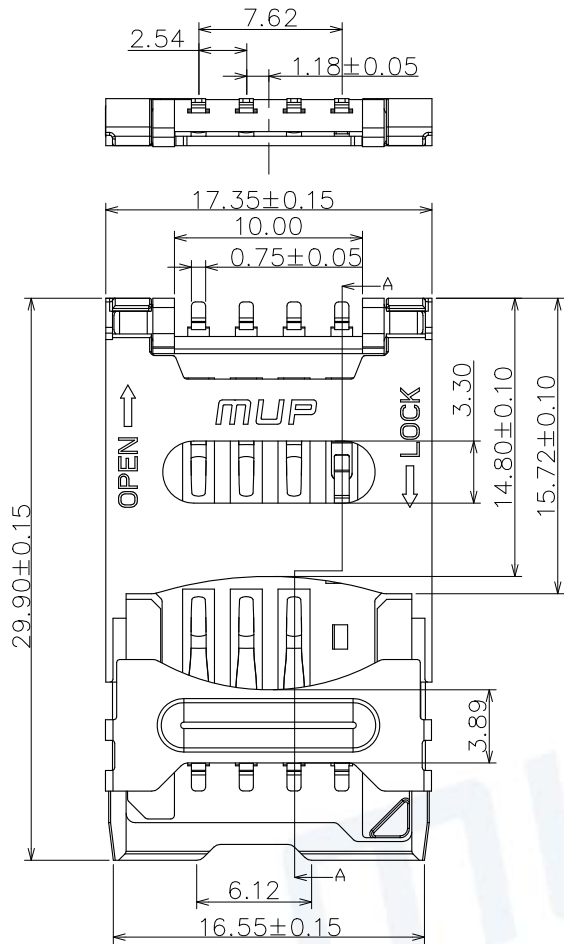


REV.	DESCRIPTION OF REVISIONS	APPR.	CHKD.	DRAW.	DATE
1	NEW			Zoey	2014/1/6
2	Original Model C706-3			HXR	2023/10/27



SECTION A-A

RECOMMENDED P.C.B LAYOUT
COMPONENT SIDE(TOLERANCE ±0.05)

TECHNICAL CHARACTERISTICS

1.General Characteristics

Dimensions: 29.90LX17.35WX2.50H mm
Weight: Approx1.20±0.2g
Durability: 5,000 cycles min.

2.Electrical Characteristics

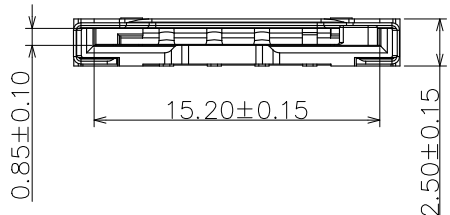
Contact resistance: 50mΩ typical, 100mΩ max
Insulation resistance: >1000MΩ/500V DC

3.Solderability

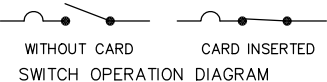
Vapor phase: 215°C, 30sec.Max
IR reflow: 260°C, 5sec.Max
Manual soldering: 370°C, 3sec.Max

4.Environmental Characteristics

Operating temperature: -40°C~+85°C
Operating humidity: 10%~+95%RH



ELECTRIC FUNCTION	DETECT SWITCH
WITHOUT CARD	OPEN
CARD INSERTED	CLOSED



ITEM	PART NAME	Q'TY	MATERIAL	FINISH
1	BASE	1	LCP	Black UL94V-0
2	COVER	1	LCP	Black UL94V-0
3	DATA CONTACT	6	C5191R-H	Contact area: 5u" Au
4	SLIDER LOCKED	1	SUS304R-H	
3	SWITCH CONTACT 2	1	C5191R-H	Contact area: Gold plated
4	SWITCH CONTACT 1	1	C5191R-H	Contact area: Gold plated

Unless otherwise specified, other tolerance are:

MUP MUP INDUSTRIAL CO.,LTD.

X	±0.35	X*	±5*
X.X	±0.25	X.X*	±4*
X.XX	±0.15	X.XX*	±3*
X.XXX	±0.10	X.XXX*	±2*

NAME: **SIM Card Connector**

MODEL NO: **MUP-C7006-03**

TYPE: **H2.5 without post 6p**

PROJ.	UNIT	SCALE
①	mm	1:1

DRAWN	Zoey	Jan.06.2014	DWG NO.:	DWG-C7006-03-01
CHECKED	Jimmy	Jan.06.2014	SHEET	1/1
APPROVAL	Simon	Jan.06.2014	REVISION	2



CUSTOMER DRAWING