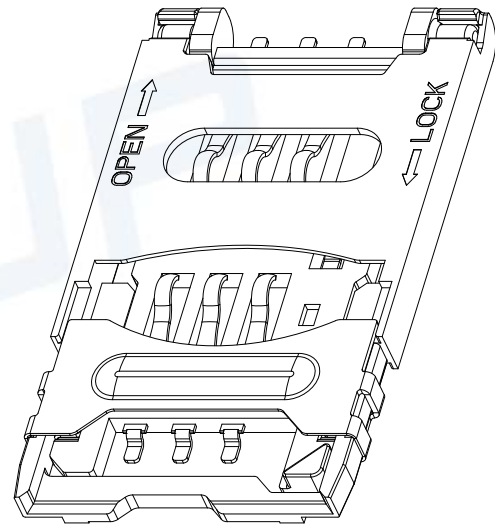
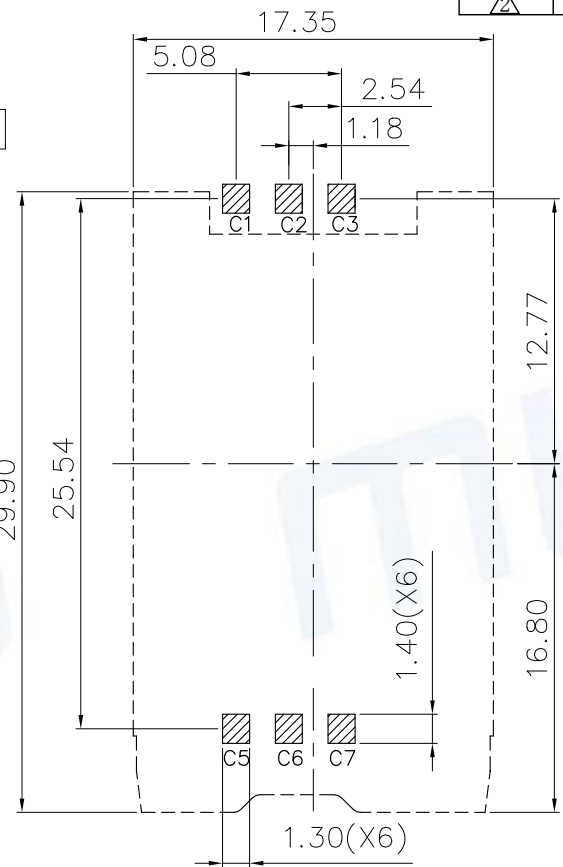
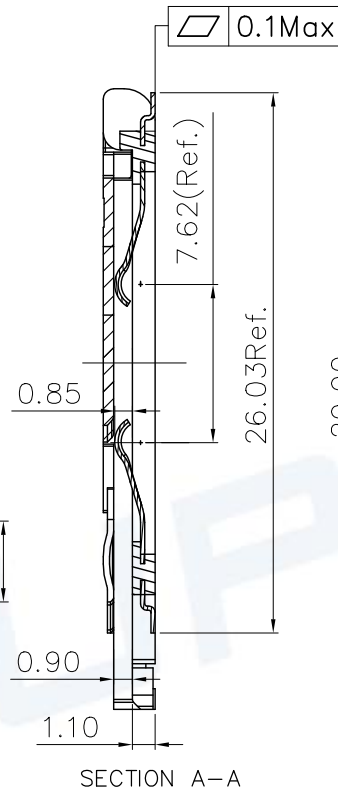
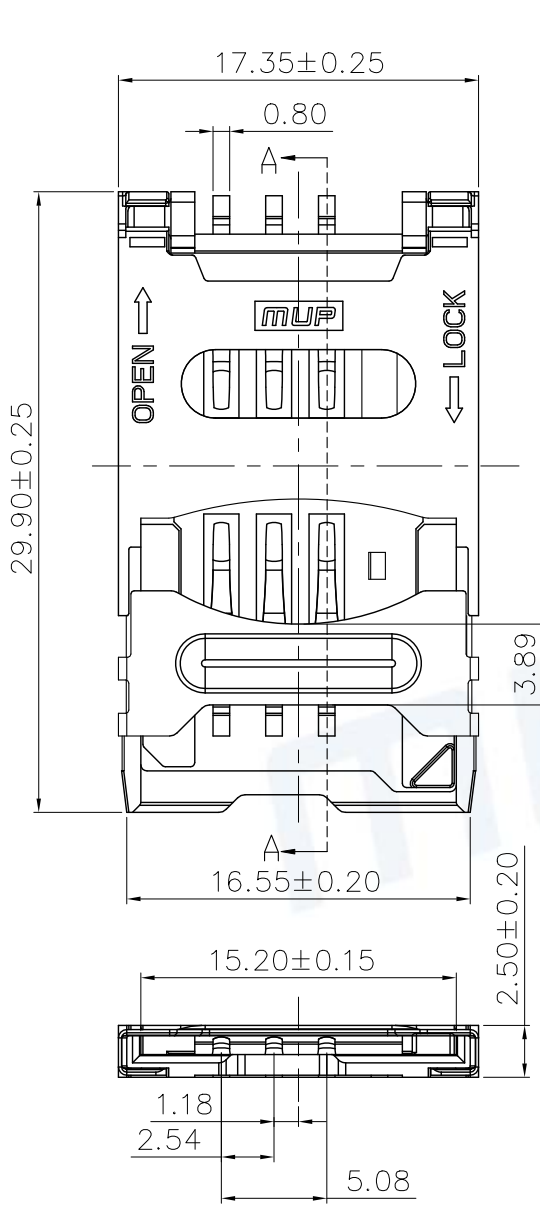


REV.	DESCRIPTION OF REVISIONS	APPR.	CHKD.	DRAW.	DATE
△	NEW			Zoey	2008/6/17
△	Original Model C705-1			HXR	2023/10/26



RECOMMENDED P.C.B LAYOUT  
COMPONENT SIDE(TOLERANCE ±0.05)

TECHNICAL CHARACTERISTICS

- General Characteristics**  
 Dimensions: 29.90LX17.35WX2.50H mm  
 Weight: Approx1.20±0.2g  
 Durability: 5,000 cycles min.
- Electrical Characteristics**  
 Contact resistance: 50mΩ typical,100mΩ max  
 Insulation resistance: >1000MΩ/500V DC
- Solderability**  
 Vapor phase: 215°C,30sec.Max  
 IR reflow: 250°C,5sec.Max  
 Manual soldering: 370°C,3sec.Max
- Environmental Characteristics**  
 Operating temperature: -40°C~+85°C  
 Operating humidity: 10%~+95%RH

ITEM	PART NAME	Q'TY	MATERIAL	FINISH
1	BASE	1	Hi-temp Thermoplastic	Black UL94V-0
2	COVER	1	Hi-temp Thermoplastic	Black UL94V-0
3	DATA CONTACT	6	Copper Alloy	Contact area:Gold plated
4	SLIDER LOCKED	1	Stainless Steel	

Unless otherwise specified, other tolerance are:



X ±0.35	X* ±5°	NAME: <b>SIM Card Connector</b>			
X.X ±0.25	X.X* ±4°	MODEL NO: <b>MUP-C7005-01</b>			
X.XX ±0.15	X.XX* ±3°	TYPE: <b>H2.5 without post 6P</b>			
X.XXX ±0.10	X.XXX* ±2°				
PROJ.	UNIT	SCALE	DRAWN	Zoey Jun.17.2008	DWG NO.:
①	mm	1:1	CHECKED	Jimmy Jun.17.2008	DWG-C7005-01-01
CUSTOMER DRAWING			APPROVAL	Simon Jun.17.2008	SHEET
					1/1
					REVISION
					2

