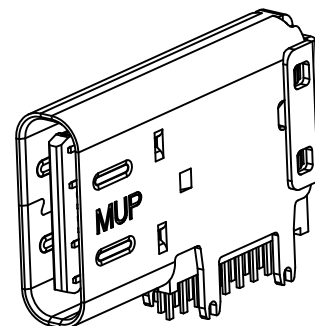
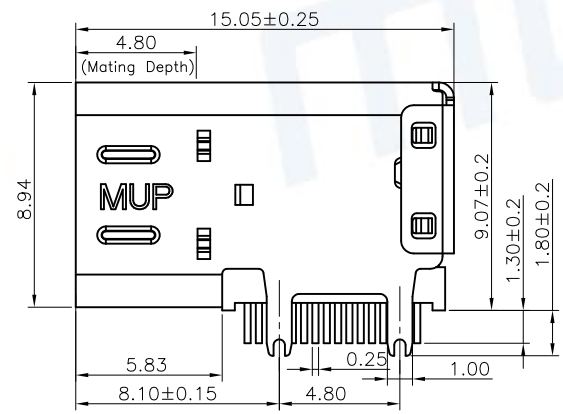
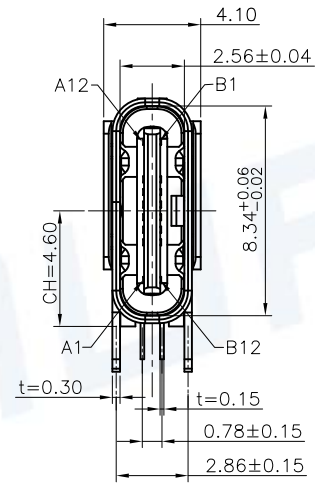


REV.	DESCRIPTION OF REVISIONS	APPR.	CHKD.	DRAW.	DATE
△	Original reversion	lucky	lucky	Roy	2021/04/02
△	Change specifications	lucky	lucky	Roy	2023/10/09
△	Change product model No.	lucky	lucky	Roy	2023/10/25

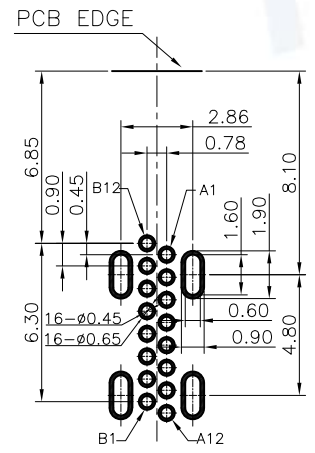
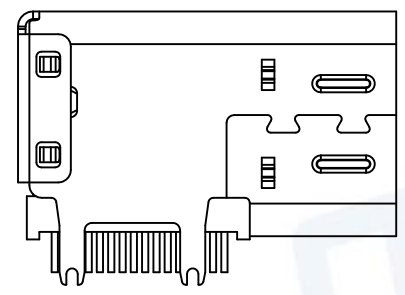


NOTE:

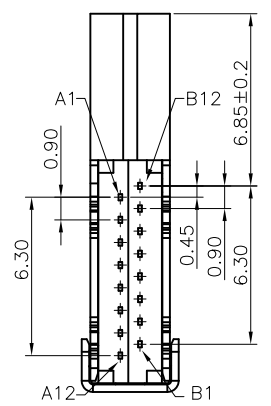
- MECHANICAL:
 - 1-1 Insertion force: 5~20N
 - 1-2 Extraction force: 8~20N
Extraction force: 10000 CYCLES 6~20N
 - 1-3.FREQUENCE:500±50 CYCLES/HOUR,10000 CYCLES;
- ELECTRICAL CHARACTERISTICS:
 - 2-1. CURRENT RATING:
VBUS Pins (A4,A9,B4,B9): 5A Max;
1.25 Amps MAX. for Vconn (B5 of plug) with return path through the corresponding GND pins(Pin A1, A12, B1, B12). Other All Pins 0.25A/Pin
 - 2-2. INITIAL CONTACT RESISTANCE:40mΩ Max.
 - 2-3. INSULATION RESISTANCE:100MΩ MIN
 - 2-4. WITHSTANDING VOLTAGE:100V AC,1 MINUTE;
- ENVIRONMENTAL
TEMPERATURE RANGE: -40°C TO +85°C.



A1	GND	B12	GND
A4	VBUS	B9	VBUS
A5	CC1	B8	SBU2
A6	DP1	B7	DN2
A7	DN1	B6	DP2
A8	SBU1	B5	CC2
A9	VBUS	B4	VBUS
A12	GND	B1	GND
PIN	SIGNAL NAME	PIN	SIGNAL NAME



RECOMMENDED P.C.B. LAYOUT
TOLERANCE UNSPECIFIED ±0.05mm



ITEM	PART NAME	Q'TY	MATERIAL	FINISH
1	Molding	1	THERMOPLASTIC	Black, UL94V-0
2	CONTACT	16	HIGH CONDUCTIVITY COPPER	Contact area: Au:3u"
3	SHELL	1	STAINLESS STEEL	Ni plated over all
4	MID-PLATE	1	STAINLESS STEEL	RINSE

Unless otherwise specified, other tolerance are:

MUP MUP INDUSTRIAL CO.,LTD.

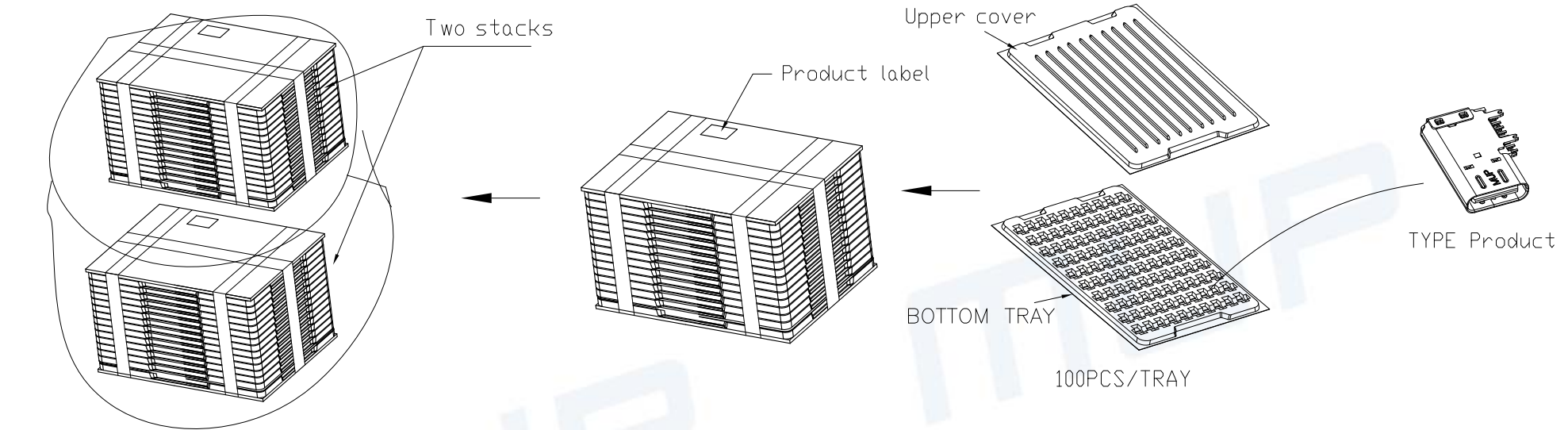
NAME: **USB Type C Vertical Mount Receptacle**

MODEL NO: **MUP-U23401-01**

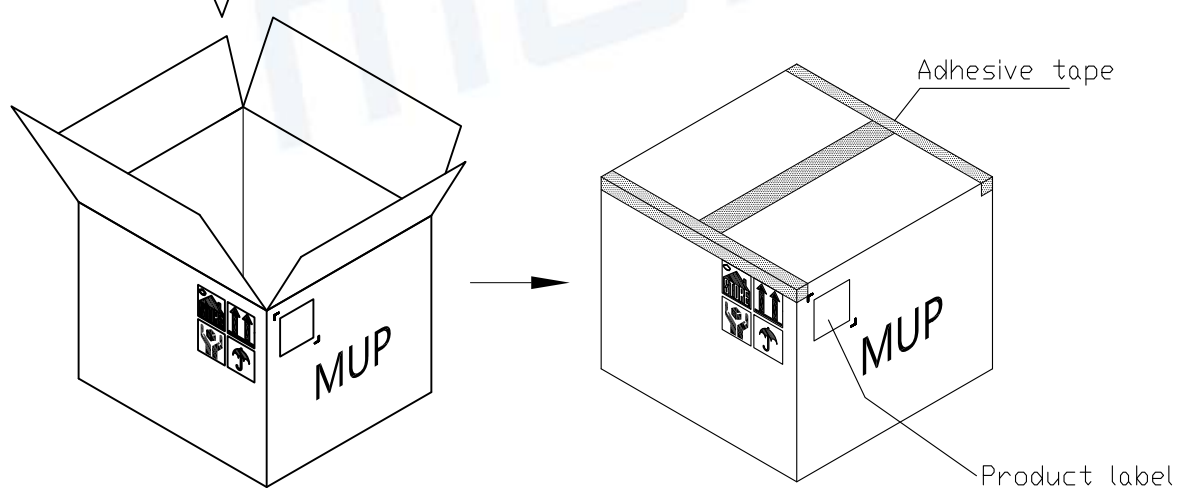
TYPE: **16Pin & Shell feet of Straight & CH=4.6**

PROJ.	UNIT	SCALE	DRAW	Roy	2021/04/02	DWG NO.:	DWG-U23401-01-01
①	mm	1:1	CHECKED	lucky	2021/04/02	SHEET	1/2
CUSTOMER DRAWING			APPROVAL	lucky	2021/04/02	REVISION	3

REV.	DESCRIPTION OF REVISIONS	APPR.	CHKD.	DRAW.	DATE
△	Original reversion	lucky	lucky	Roy	2021/04/02
△	Change specifications	lucky	lucky	Roy	2023/10/09
△	Change product model No.	lucky	lucky	Roy	2023/10/25



Note: You should put two desiccants in each PE bag



QUANTITY: 4600/CARTON

NOTES

1. You should put two desiccants in each PE bag
2. NUMBER OF CONNECTORS: 100PCS/TRAY
3. QUANTITY: 4600/CARTON
4. Corresponding to each box location must be labeled



Unless otherwise specified, other tolerance are:			MUP MUP INDUSTRIAL CO.,LTD.			
X	±0.40	X*	±5'	NAME: USB Type C Vertical Mount Receptacle		
X.X	±0.30	X.X*	±4'	MODEL NO: MUP-U23401-01		
X.XX	±0.20	X.XX*	±3'	TYPE: 16Pin & Shell feet of Straight & CH=4.6		
X.XXX	±0.10	X.XXX*	±2'	DRAW Roy 2021/04/02		
PROJ.	UNIT	SCALE	DRAW		DWG NO.:	
⊕	mm	1:1	CHECKED	lucky 2021/04/02	DWG-U23401-01-01	
CUSTOMER DRAWING			APPROVAL	lucky 2021/04/02	SHEET	REVISION
					2/2	3