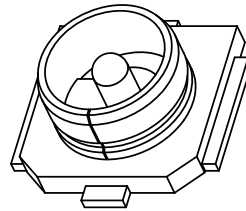
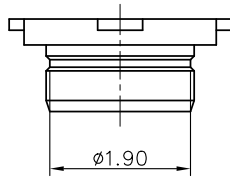
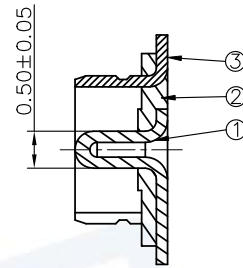
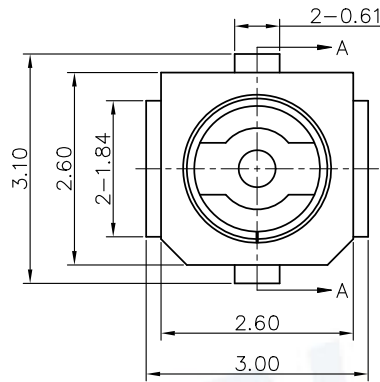


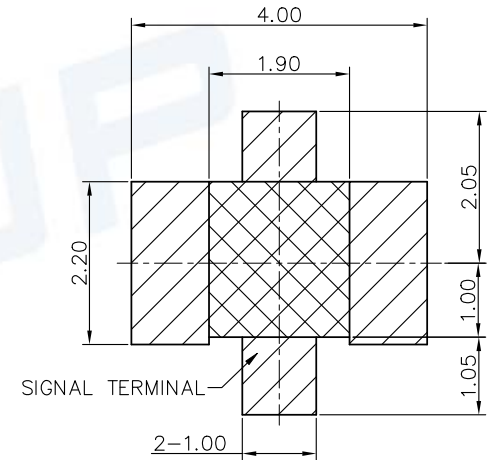
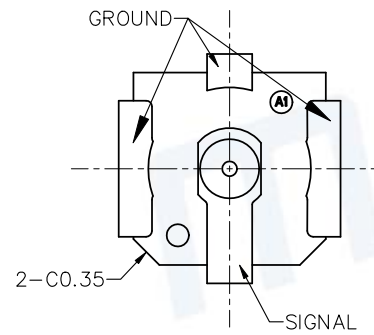
REV.	DESCRIPTION OF REVISIONS	APPR.	CHKD.	DRAW.	DATE
△	New Release			DING	2022/07/15
△	Original model R4151-8			DING	2023/10/17



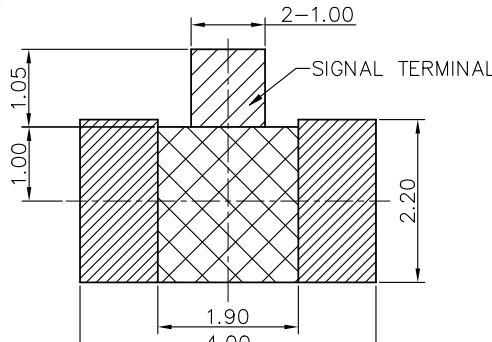
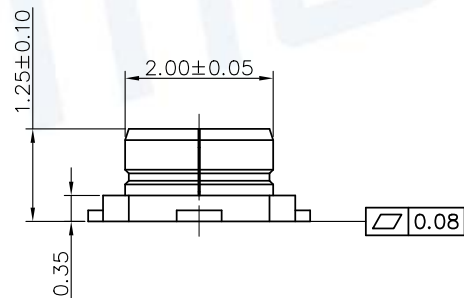
3D VIEW



SECTION: A-A



RECOMMENDED P.C.B. LAYOUT FOR 4 PAD (TOLERANCE ±0.05)



RECOMMENDED P.C.B. LAYOUT FOR 3 PAD (TOLERANCE ±0.05)

NOTES:

- Mechanical Characteristics :**
Durability: 100 cycles min.(after the test all requirement should be ok and no physical damage)
Connector Mating Force: 30N Max
Connector Unmating Force: 5N Min
- Electrical Characteristics**
Voltage rating: 60V DC
Contact resistance: 20mΩ Max
Insulation resistance: 500MΩ Min
- Environmental Characteristics**
Salt-Mist: 48hour min.(no harmful corrosion)
High temprature resistance: 260°C, 120s'.
(feet plane shall be in 0.10mm)
Solderability: 260°C, 5sec. (Solder tail shall be covered more than 95% of immersed area with flash solder)

3	Shell	1	Copper alloy, Au plated over Nickel
2	Contact	1	Copper alloy, Au plated over Nickel
1	Insulation	1	LCP UL94V-0,Black
ITEM	PART NAME	Q'TY	MATERILA/FINISH

Unless otherwise specified, other tolerance are:

MUP MUP INDUSTRIAL CO.,LTD.

X	±0.35	X*	±5*	NAME:	RF I REC Connector	
X.X	±0.25	X.X*	±4*	MODEL NO:	MUP-R4151-08	
X.XX	±0.15	X.XX*	±3*	TYPE :	H=1.25mm, 4 TYPE	
X.XXX	±0.10	X.XXX*	±2*	PROJ.	DING	2022/07/15
				UNIT	MM	
				SCALE	10:1	
				DRAWN	DING	2022/07/15
				CHECKED	Jimmy	2022/07/15
				APPROVAL	Simon	2022/07/15
				DWG NO.:	DWG-R4151-08-01	
				SHEET	1/1	
				REVISION		2



CUSTOMER DRAWING