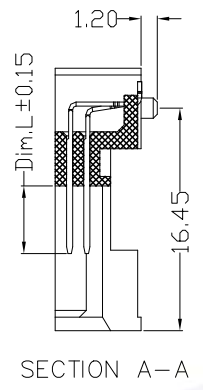
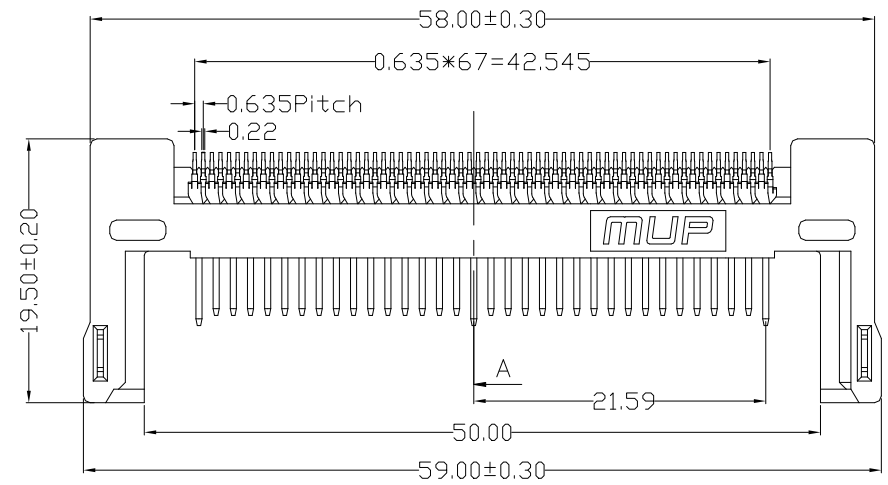


REV.	DESCRIPTION OF REVISIONS	APPR.	CHEC.	DRAW.	DATE
△	NEW			Zoey	2018/06/21
△	Original Model M6701-1			Jicks	2023/10/19



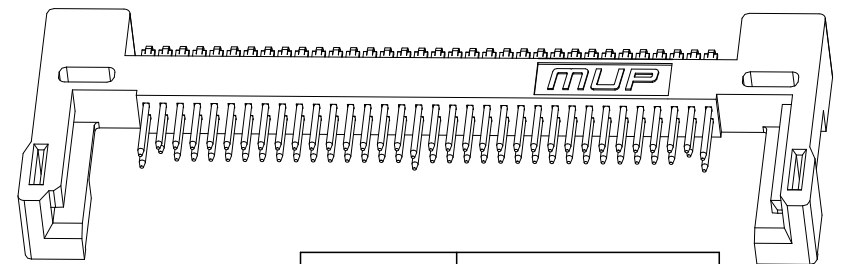
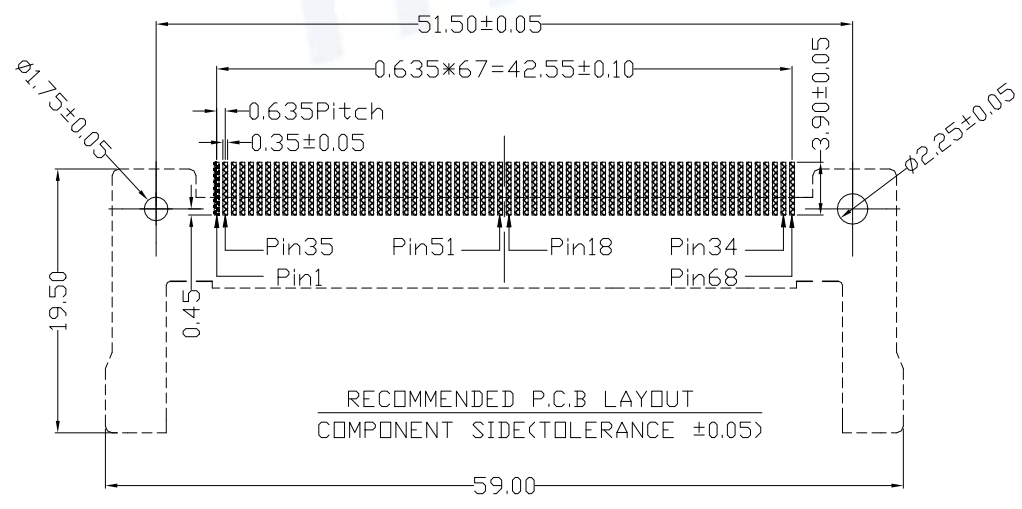
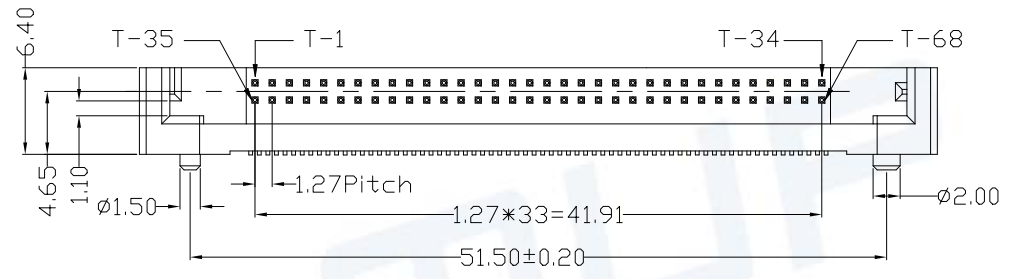
TECHNICAL CHARACTERISTICS

1.General Characteristics
 Dimensions: 59.0LX19.50WX6.40H mm
 Weight: Approx: 4±0.5g

2.Electrical Characteristics
 Current Rating: 0.5A AC DC
 Rated voltage: 5 V
 Contact resistance: 200mΩ max
 Insulation resistance: 1000MΩ min
 Withstanding voltage: 500 V AC rms 1min.

3.Environmental Characteristics
 Operating temperature: -20°C~+60°C

Pin Type	Dim.L	Pin No
Detect	3.50mm	36.67
General	4.25mm	All other pins
Power	5.00mm	1.17.34.35.51.68



Products P/N M6701-68641110-0011

ITEM	PART NAME	Q'TY	MATERIAL	FINISH
1	BASE	1	Hi-temp Thermoplastic	Black UL94V-0
2	DATA CONTACT	68	Copper Alloy	Contact area: Nickel plated

Unless otherwise specified, other tolerance are:

MUP MUP INDUSTRIAL CO.,LTD.

NAME: **PCMCIA Connector**

MODEL NO: **MUP-M6701-01**

TYPE :

X ±0.35	X* ±5*	NAME:	PCMCIA Connector	
X.X ±0.25	X.X* ±4*	MODEL NO:	MUP-M6701-01	
X.XX ±0.15	X.XX* ±3*	TYPE :		
X.XXX ±0.10	X.XXX* ±2*	PROJ.	UNIT	SCALE
		APPROVAL	mm	1:1

CUSTOMER DRAWING

DRAWN	Zoey	2018/06/21	DWG NO.:	DWG-M6701-01-01
CHECKED	Keey	2018/06/21	SHEET	1/1
APPROVAL	Simon	2018/06/21	REVISION	2

