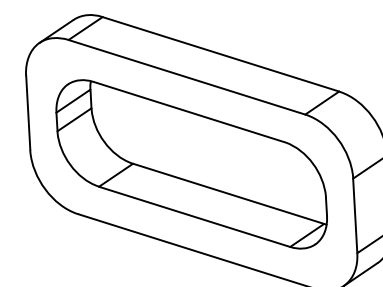
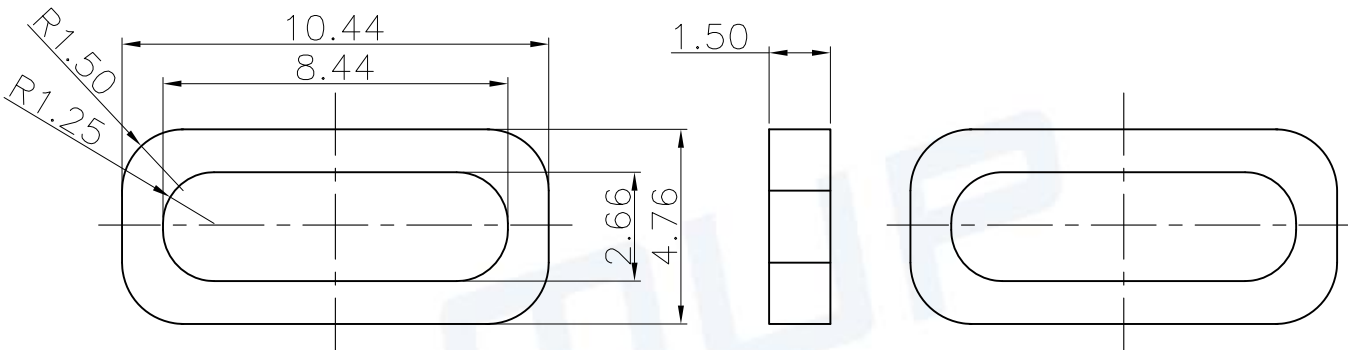
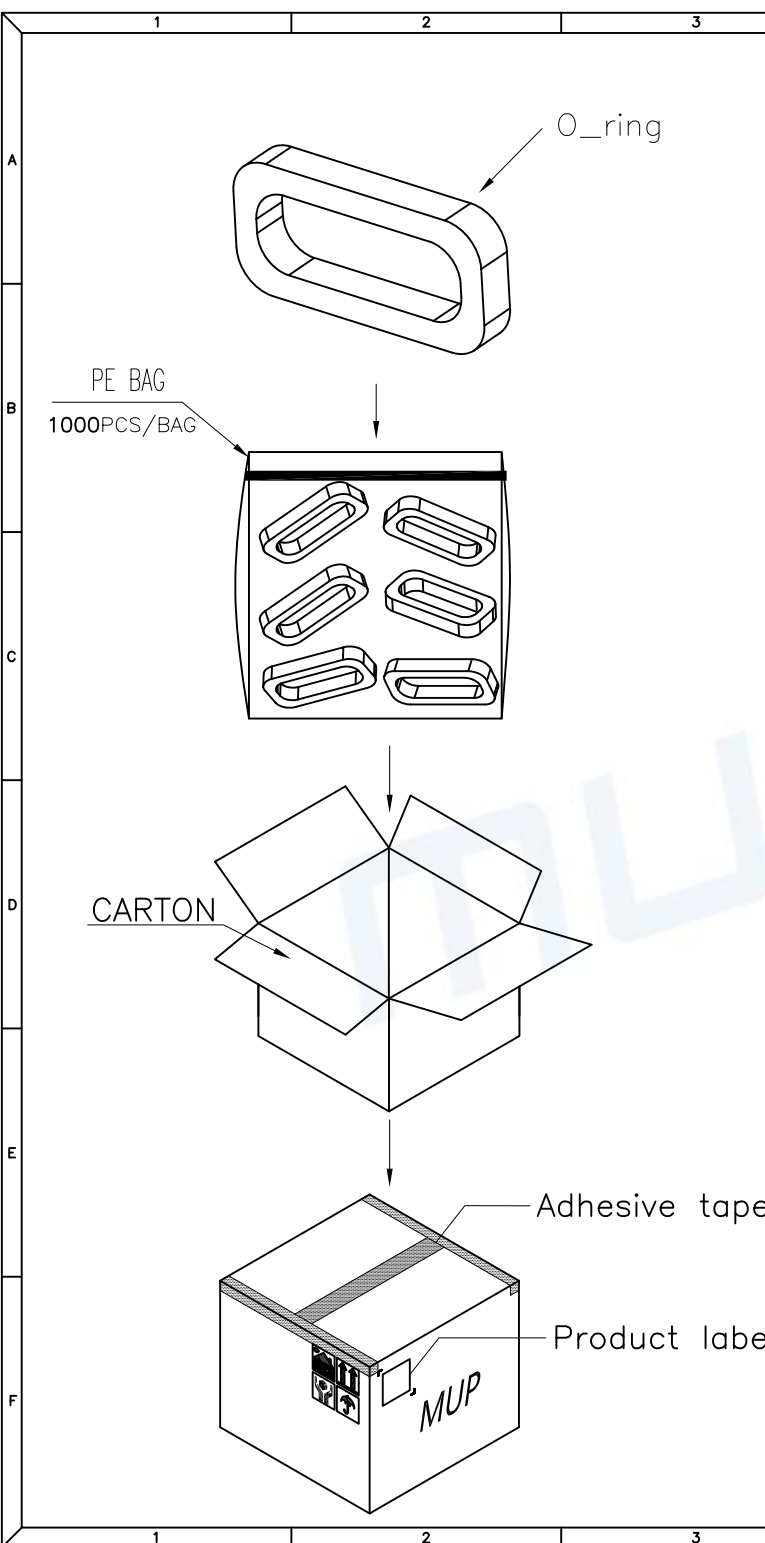


REV.	DESCRIPTION OF REVISIONS	APPR.	CHKD.	DRAW.	DATE
△	Original reversion	lucky	lucky	Roy	2021/12/06
△	Change product model No.	lucky	lucky	Roy	2023/10/25



NOTE:
 1. MATERIAL:Silicone Rubber,COLOR:BLACK
 2. MODEL NO. used before: HP-1014-001

Unless otherwise specified, other tolerance are:			MUP[®] MUP INDUSTRIAL CO.,LTD.				
X ±0.40	X' ±5'	NAME: TYPE C O_ring					
X.X ±0.30	X.X' ±4'	MODEL NO: 34-02-000015					
X.XX ±0.20	X.XX' ±3'	TYPE :					
X.XXX ±0.10	X.XXX' ±2'	PROJ.	UNIT	SCALE	DRAW	DWG NO.:	
		mm	1:1	Roy	2021/12/06	DWG-34-02-000015	
CUSTOMER DRAWING				CHECKED	lucky	2021/12/06	SHEET
				APPROVAL	lucky	2021/12/06	REVISION
						1/1	2

