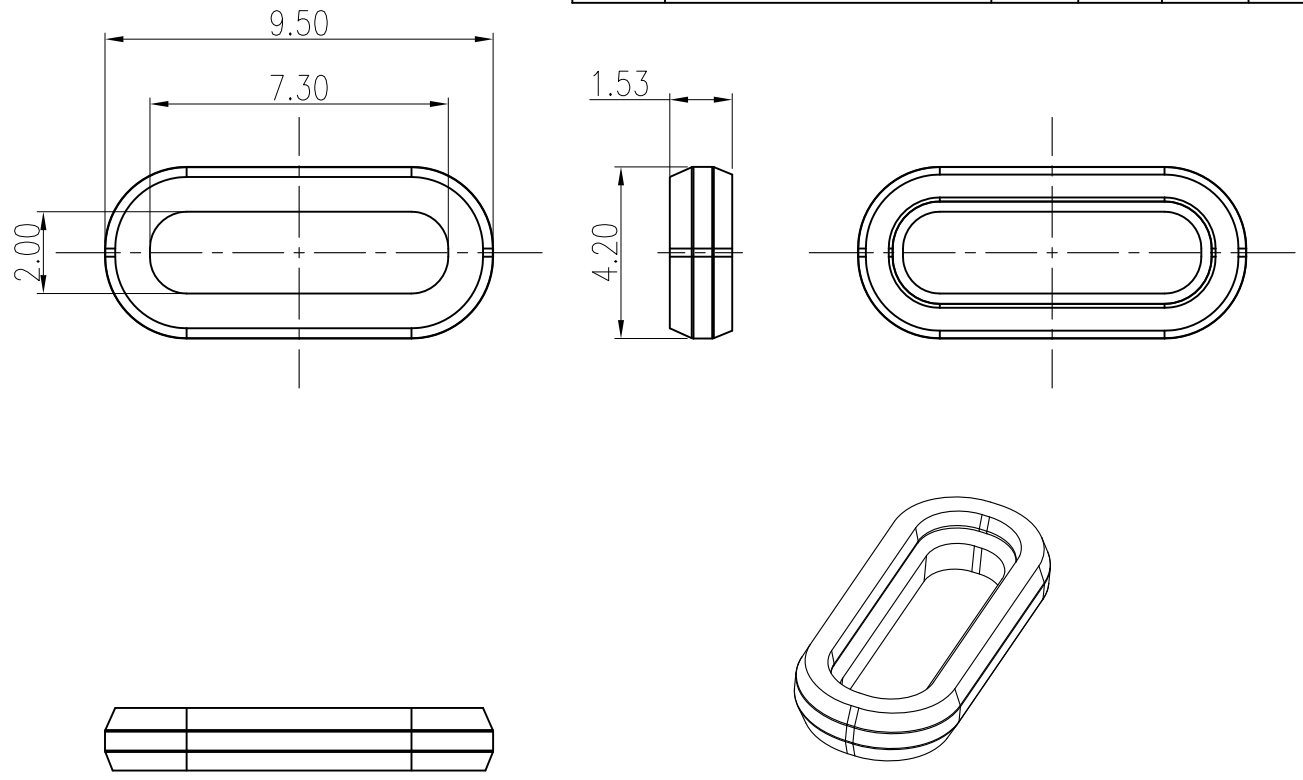
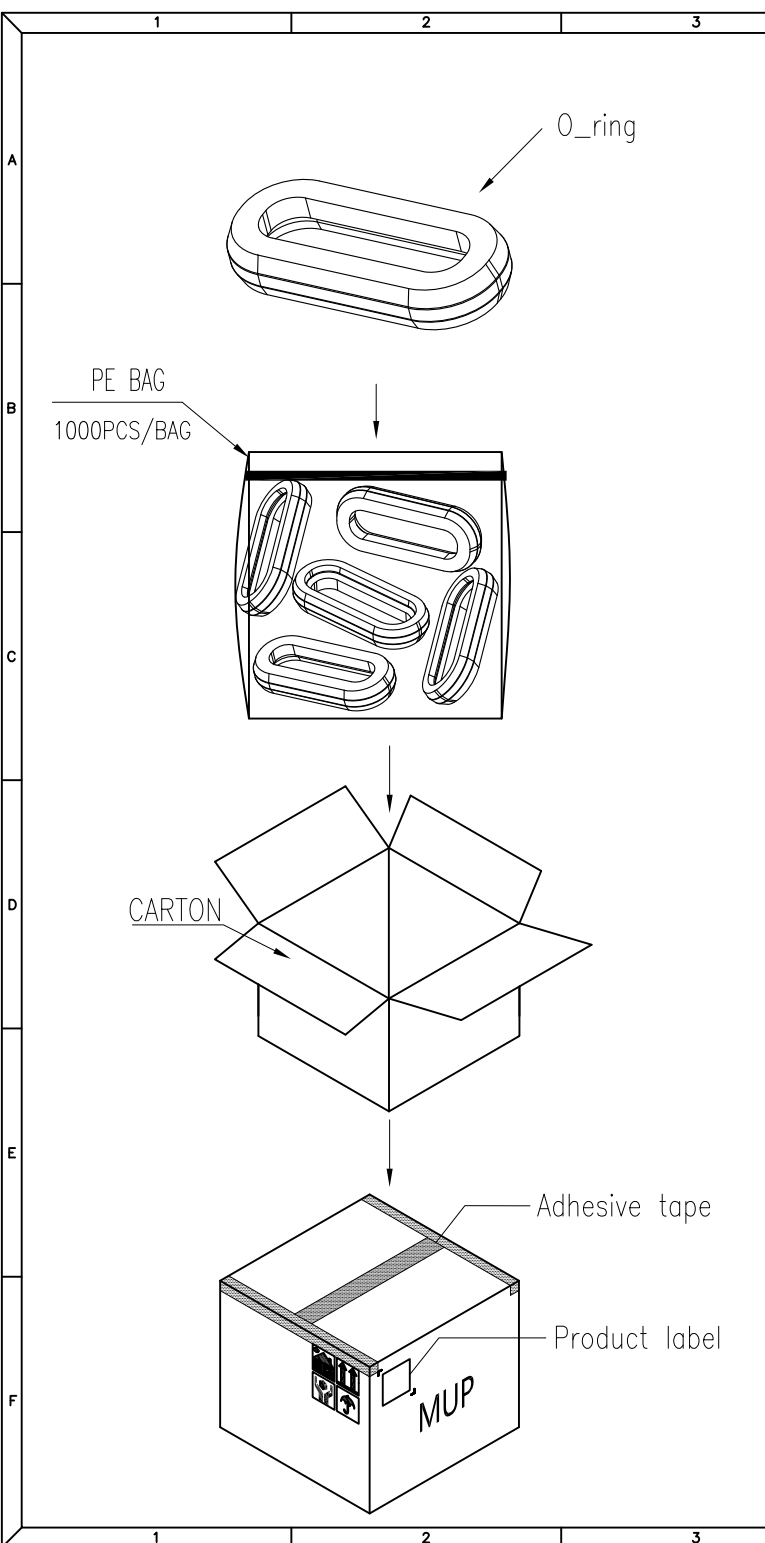


REV.	DESCRIPTION OF REVISIONS	APPR.	CHKD.	DRAW.	DATE
△	Original reversion	lucky	lucky	Roy	2020/06/11
△	Change product model No.	lucky	lucky	Roy	2023/10/25



NOTE:
 1. MATERIAL:Silicone Rubber, COLOR:BLACK
 2. MODEL NO. used before: HP-1007-001.

Unless otherwise specified, other tolerance are:		MUP [®] MUP INDUSTRIAL CO.,LTD.			
X	±0.40				
X.X	±0.30	X.X*	±4*	MODEL NO.:	34-02-000014
X.XX	±0.20	X.XX*	±3*	TYPE :	
X.XXX	±0.10	X.XXX*	±2*	PROJ.	Roy 2020/06/11
 PROCESS COMPLIANT		UNIT	SCALE	DRAW	Roy 2020/06/11
		mm	1:1	CHECKED	lucky 2020/06/11
		CUSTOMER DRAWING		APPROVAL	lucky 2020/06/11
				DWG NO.:	
				DWG-34-02-000014	
				SHEET	REVISION
				1/1	2