

**TUNING FORK CRYSTAL UNIT IN SMD 7.5x3.1mm RESIN MOLD PACKAGE.**
**PRODUCT FEATURES**

- Package dimensions 7.5x3.1x2.3 with 2 leads.
- Heat resistant mold allowing high temperature reflow.
- Suitable for low power consumption applications.
- RoHS compliant, LEAD-FREE and HALOGEN-FREE.

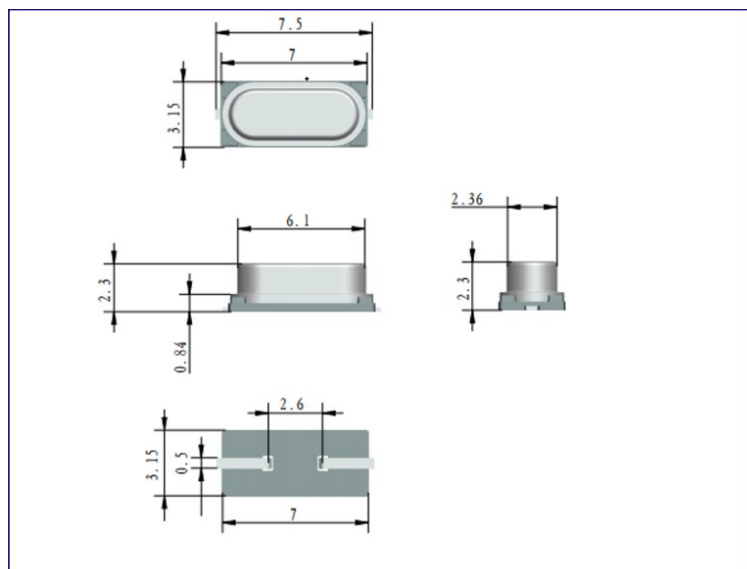
**PRODUCT PHOTO (NOT IN SCALE)**

**APPLICATIONS**

- Real time clocks
- Microprocessors
- Timers and controllers
- Meters and handheld devices

**PRODUCT SPECIFICATIONS**

PARAMETER	3437S	CONDITIONS / REMARKS
Nominal frequency range	32.768kHz	--
Vibration mode	Fundamental	--
Frequency tolerance	±20ppm / ±30ppm	Other options available.
Stability over temperature	-0.04ppm/°C <sup>2</sup> MAX	Parabolic coefficient.
Operating temperature range	-20 to +70°C or -40 to +85°C	Other options available.
Turnover temperature	+25±5°C	--
Equivalent series resistance (ESR)	<65kΩ	@ series load
Shunt capacitance	0.8pF	--
Motional capacitance	3.2fF	--
Load capacitance	7pF / 9pF / 12.5pF	Please specify.
Drive level	0.1μW TYP / 1.0μW MAX	--
Aging per year	±3ppm	At +25°C

**PACKAGE OUTLINE / DIMENSIONS**

**PACKAGING INFORMATION**

- Tape & Reel compliant to EIA-481.
- Embossed carrier width 16mm.
- Component pitch in carrier 8mm.
- Reel diameter 330mm.
- QTY per reel: 1,000pcs

**RECOMMENDED REFLOW PROFILE**
