

Rochester Electronics Manufactured Components

Rochester branded components are manufactured using either die/wafers purchased from the original suppliers or Rochester wafers recreated from the original IP. All recreations are done with the approval of the OCM.

Parts are tested using original factory test programs or Rochester developed test solutions to guarantee product meets or exceed the OCM data sheet.

Quality Overview

- ISO-9001
- AS9120 certification
- Qualified Manufacturers List (QML) MIL-PRF-35835
 - Class Q Military
 - Class V Space Level
- Qualified Suppliers List of Distributors (QSLD)
 - Rochester is a critical supplier to DLA and meets all industry and DLA standards.

Rochester Electronics, LLC is committed to supplying products that satisfy customer expectations for quality and are equal to those originally supplied by industry manufacturers.

The original manufacturer's datasheet accompanying this document reflects the performance and specifications of the Rochester manufactured version of this device. Rochester Electronics guarantees the performance of its semiconductor products to the original OEM specifications. 'Typical' values are for reference purposes only. Certain minimum or maximum ratings may be based on product characterization, design, simulation, or sample testing.

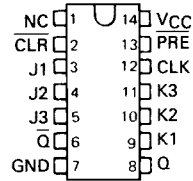
TYPES SN5472, SN54H72, SN54L72, SN7472, SN74H72 AND-GATED J-K MASTER-SLAVE FLIP-FLOPS WITH PRESET AND CLEAR

REVISED DECEMBER 1983

- Package Options Include Plastic and Ceramic DIPs
- Dependable Texas Instruments Quality and Reliability

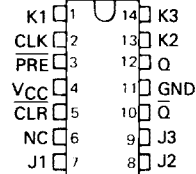
SN5472, SN54H72, SN54L72 . . . J PACKAGE
SN7472, SN74H72 . . . J OR N PACKAGE

(TOP VIEW)



SN5472, SN54H72 . . . W PACKAGE

(TOP VIEW)



NC - No internal connection

description

These J-K flip-flops are based on the master-slave principle and each has AND gate inputs for entry into the master section which are controlled by the clock pulse. The clock pulse also regulates the state of the coupling transistors which connect the master and slave sections. The sequence of operation is as follows:

1. Isolate slave from master
2. Enter information from AND gate inputs to master
3. Disable AND gate inputs
4. Transfer information from master to slave

Logical state of J and K inputs must not be allowed to change when the clock pulse is in a high state.

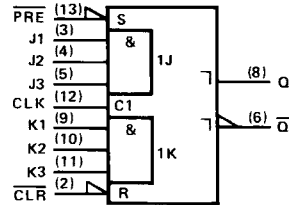
The SN5472, SN54H72, and the SN54L72 are characterized for operation over the full military temperature range of -55°C to 125°C. The SN7472 and the SN74H72 are characterized for operation from 0°C to 70°C.

FUNCTION TABLE

INPUTS					OUTPUTS	
PRE	CLR	CLK	J	K	Q	Q̄
L	H	X	X	X	H	L
H	L	X	X	X	L	H
L	L	X	X	X	H [†]	H [†]
H	H	⌋	L	L	Q ₀	Q̄ ₀
H	H	⌋	H	L	H	L
H	H	⌋	L	H	L	H
H	H	⌋	H	H	TOGGLE	

[†] This configuration is nonstable; that is, it will not persist when either preset or clear returns to its inactive (high) level.

logic symbol



Pin numbers shown are for J and N packages.

positive logic

$$J = J1 \cdot J2 \cdot J3$$

$$K = K1 \cdot K2 \cdot K3$$

PRODUCTION DATA

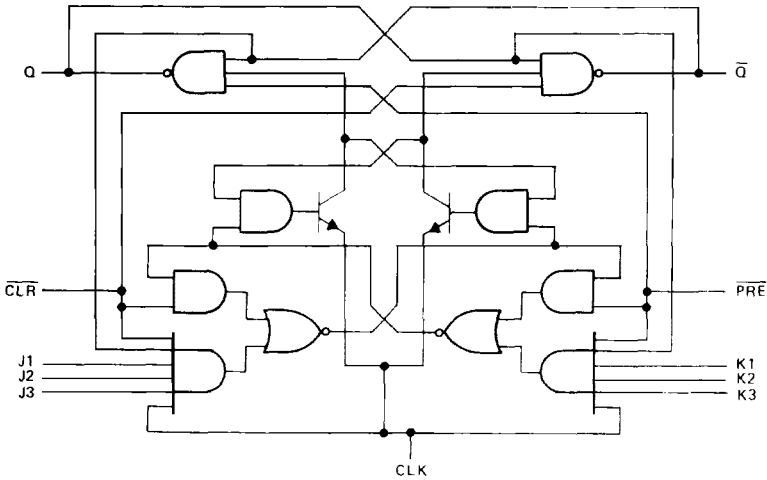
This document contains information current as of publication date. Products conform to specifications per the terms of Texas Instruments standard warranty. Production processing does not necessarily include testing of all parameters.



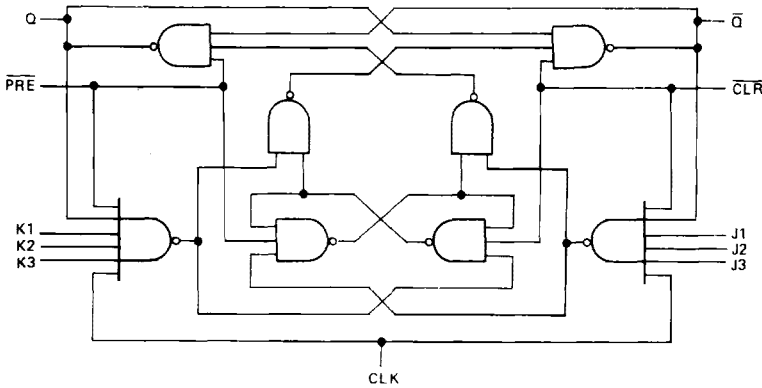
POST OFFICE BOX 225012 • DALLAS, TEXAS 75265

**TYPES SN5472, SN54H72, SN54L72,
SN7472, SN74H72
AND-GATED J-K MASTER-SLAVE FLIP-FLOPS WITH PRESET AND CLEAR**

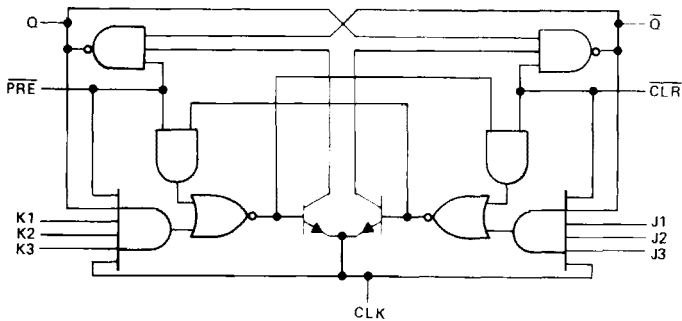
logic diagrams
'72



'H72



'L72

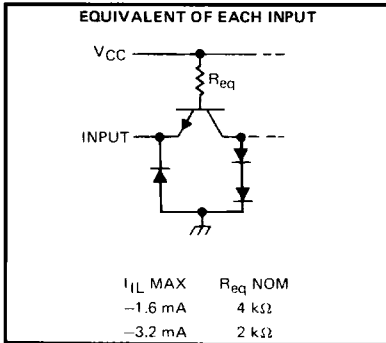


3

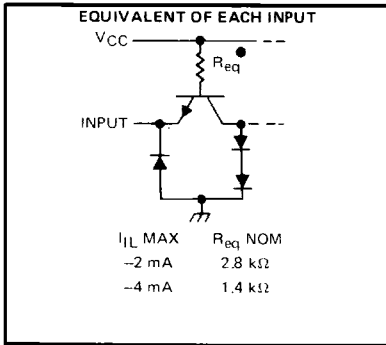
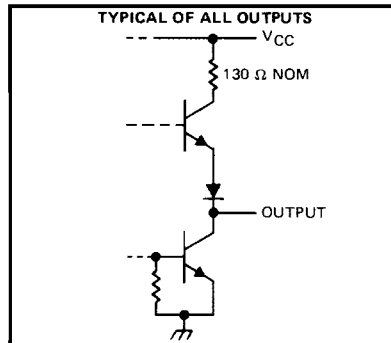
TTL DEVICES

AND-GATED J-K MASTER-SLAVE FLIP-FLOPS WITH PRESET AND CLEAR

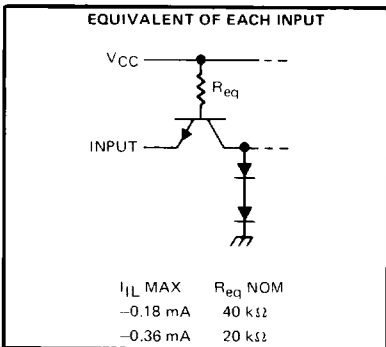
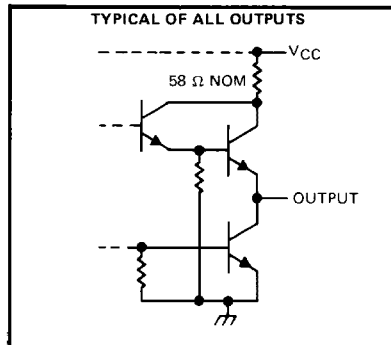
schematics of inputs and outputs



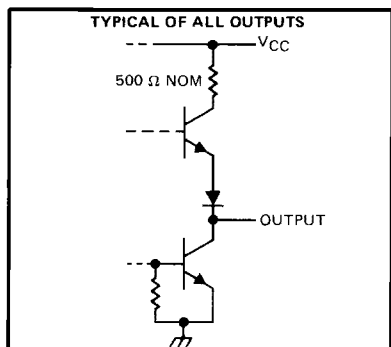
72



'H72



'L72



absolute maximum ratings over operating free-air temperature (unless otherwise noted)

Supply voltage, V_{CC} (see Note 1)	7 V
Input voltage	5.5 V
Operating free-air temperature: SN54'	-55°C to 125°C
SN74'	0°C to 70°C
Storage temperature range	-65°C to 150°C

NOTE 1: Voltage values are with respect to network ground terminal.

TYPES SN5472, SN7472

AND-GATED J-K MASTER-SLAVE FLIP-FLOPS WITH PRESET AND CLEAR

recommended operating conditions

		SN5472			SN7472			UNIT
		MIN	NOM	MAX	MIN	NOM	MAX	
V _{CC}	Supply voltage	4.5	5	5.5	4.75	5	5.25	V
V _{IH}	High-level input voltage	2			2			V
V _{IL}	Low-level input voltage				0.8			V
I _{OH}	High-level output current				-0.4			mA
I _{OL}	Low-level output current				16			mA
t _w	Pulse duration	CLK high		20	20		ns	
		CLK low		47	47			
		PRE or CLR		25	25			
t _{su}	Input setup time before CLK †	0			0			ns
t _h	Input hold time-data after CLK †	0			0			ns
T _A	Operating free-air temperature	-55		125	0		70	°C

electrical characteristics over recommended operating free-air temperature range (unless otherwise noted)

PARAMETER	TEST CONDITIONS †	SN5472			SN7472			UNIT
		MIN	TYP‡	MAX	MIN	TYP‡	MAX	
V _{IK}	V _{CC} = MIN, I _I = -12 mA	-1.5			-1.5			V
V _{OH}	V _{CC} = MIN, V _{IH} = 2 V, V _{IL} = 0.8 V, I _{OH} = -0.4 mA	2.4	3.4		2.4	3.4	V	
V _{OL}	V _{CC} = MIN, V _{IH} = 2 V, V _{IL} = 0.8 V, I _{OL} = 16 mA		0.2	0.4		0.2	0.4	V
I _I	V _{CC} = MAX, V _I = 5.5 V	1			1			mA
I _{IH}	J or K	40			40			μA
	All other	80			80			
I _{IL}	J or K	-1.6			-1.6			mA
	All other	-3.2			-3.2			
I _{OS} §	V _{CC} = MAX	-20		-57	-18		-57	mA
I _{CC}	V _{CC} = MAX, See Note 2	10			20			mA

† For conditions shown as MIN or MAX, use the appropriate value specified under recommended operating conditions.

‡ All typical values are at V_{CC} = 5 V, T_A = 25 °C.

§ Not more than one output should be shorted at a time.

NOTE 2: With all outputs open, I_{CC} is measured with the Q and \bar{Q} outputs high in turn. At the time of measurement, the clock input is grounded.

switching characteristics, V_{CC} = 5 V, T_A = 25 °C (see note 3)

PARAMETER	FROM (INPUT)	TO (OUTPUT)	TEST CONDITIONS	MIN	TYP	MAX	UNIT
t _{max}			R _L = 400 Ω, C _L = 15 pF	15	20		MHz
t _{PLH}	\bar{PRE} or \bar{CLR}	Q or \bar{Q}		16	25		ns
t _{PHL}		Q or \bar{Q}		25	40		ns
t _{PLH}	CLK	Q or \bar{Q}		16	25		ns
t _{PHL}		Q or \bar{Q}		25	40		ns

NOTE 3: See General Information Section for load circuits and voltage waveforms

3

TTL DEVICES

TYPES SN54H72, SN74H72 AND-GATED J-K MASTER-SLAVE FLIP-FLOPS WITH PRESET AND CLEAR

recommended operating conditions

		SN54H72			SN74H72			UNIT
		MIN	NOM	MAX	MIN	NOM	MAX	
V_{CC}	Supply voltage	4.5	5	5.5	4.75	5	5.25	V
V_{IH}	High-level input voltage	2			2			V
V_{IL}	Low-level input voltage	0.8			0.8			V
I_{OH}	High-level output current	-0.5			-0.5			mA
I_{OL}	Low-level output current	20			20			mA
t_w	Pulse duration	CLK high		12	12		ns	
		CLK low		28	28			
		CLR or PRE		16	16			
t_{su}	Setup time, before CLK \uparrow	data high or low		0	0		ns	
t_h	Hold time-data after CLK \downarrow			0	0		ns	
T_A	Operating free-air temperature	-55		125	0		70	$^{\circ}$ C

electrical characteristics over recommended operating free-air temperature range (unless otherwise noted)

PARAMETER	TEST CONDITIONS \dagger	SN54H72			SN74H72			UNIT
		MIN	TYP \ddagger	MAX	MIN	TYP \ddagger	MAX	
V_{IK}	$V_{CC} = \text{MIN}, I_I = -8 \text{ mA}$	-1.5			-1.5			V
V_{OH}	$V_{CC} = \text{MIN}, V_{IH} = 2 \text{ V}, V_{IL} = 0.8 \text{ V}, I_{OH} = -0.5 \text{ mA}$	2.4	3.4		2.4	3.4		V
V_{OL}	$V_{CC} = \text{MIN}, V_{IH} = 2 \text{ V}, V_{IL} = 0.8 \text{ V}, I_{OL} = 20 \text{ mA}$		0.2	0.4		0.2	0.4	V
I_I	$V_{CC} = \text{MAX}, V_I = 5.5 \text{ V}$	1			1			mA
I_{IH}	J, K or CLK	50			50			μ A
	PRE or CLR*	100			100			
I_{IL}	J, K or CLR	-2			-2			mA
	PRE or CLR*	-4			-4			
$I_{OS}\S$	$V_{CC} = \text{MAX}$	-40		-100	-40		-100	mA
I_{CC}	$V_{CC} = \text{MAX},$ See Note 2		16	25		16	25	mA

\dagger For conditions shown as MIN or MAX, use the appropriate value specified under recommended operating conditions.

\ddagger All typical values are at $V_{CC} = 5 \text{ V}, T_A = 25^{\circ}\text{C}$.

\S Not more than one output should be shorted at a time, and the duration of the short circuit should not exceed one second.

* Clear is tested with preset high and preset is tested with clear high.

NOTE 2: With all outputs open, I_{CC} is measured with the Q and \bar{Q} outputs high in turn. At the time of measurement, the clock input is grounded.

switching characteristics, $V_{CC} = 5 \text{ V}, T_A = 25^{\circ}\text{C}$ (see note 3)

PARAMETER	FROM (INPUT)	TO (OUTPUT)	TEST CONDITIONS	MIN	TYP	MAX	UNIT
f_{max}			$R_L = 280 \Omega, C_L = 25 \text{ pF}$	25	30		MHz
^1PLH	$\overline{\text{PRE}}$ or $\overline{\text{CLR}}$	O or \bar{Q}			6	13	ns
^2PHL					12	24	ns
^1PLH	CLK	O or \bar{Q}			14	21	ns
^2PHL					22	27	ns

NOTE 3: See General Information Section for load circuits and voltage waveforms.

TYPE SN54L72

AND-GATED J-K MASTER-SLAVE FLIP-FLOPS WITH PRESET AND CLEAR

recommended operating conditions

		MIN	NOM	MAX	UNIT	
V_{CC}	Supply voltage	4.5	5	5.5	V	
V_{IH}	High-level input voltage	2			V	
V_{IL}	Low-level input voltage	Clock input		0.6	V	
		All other inputs		0.7		
I_{OH}	High-level output current				-0.1	mA
I_{OL}	Low-level output current				2	mA
t_w	Pulse duration	CLK high or low		200	ns	
		PRE or CLR low		100		
t_{su}	Setup time before CLK \uparrow	0			ns	
t_h	Hold time, data after CLK \downarrow	0			ns	
T_A	Operating free-air temperature	-55		125	$^{\circ}$ C	

electrical characteristics over recommended operating free-air temperature range (unless otherwise noted)

PARAMETER	TEST CONDITIONS \dagger	MIN	TYP \ddagger	MAX	UNIT	
V_{OH}	$V_{CC} = \text{MIN}$, $V_{IH} = 2 \text{ V}$, $V_{IL} = \text{MAX}$, $I_{OH} = -0.1 \text{ mA}$	2.4	3.3		V	
V_{OL}	$V_{CC} = \text{MIN}$, $V_{IH} = 2 \text{ V}$, $V_{IL} = \text{MAX}$, $I_{OL} = 2 \text{ mA}$		0.15	0.3	V	
I_I	J or K	$V_{CC} = \text{MAX}$, $V_I = 5.5 \text{ V}$			0.1	mA
	All other				0.2	
I_{IH}	J or K	$V_{CC} = \text{MAX}$, $V_I = 2.4 \text{ V}$			10	μ A
	PRE or CLR				20	
	CLK				-200	
I_{IL}	J or K	$V_{CC} = \text{MAX}$, $V_I = 0.3 \text{ V}$			-0.18	mA
	All other				-0.36	
I_{OS}	$V_{CC} = \text{MAX}$	-3		-15	mA	
I_{CC}	$V_{CC} = \text{MAX}$, See Note 2		0.76	1.44	mA	

\dagger For conditions shown as MIN or MAX, use the appropriate value specified under recommended operating conditions.

\ddagger All typical values are at $V_{CC} = 5 \text{ V}$, $T_A = 25^{\circ} \text{ C}$.

NOTE 2: With all outputs open, I_{CC} is measured with the Q and \bar{Q} outputs high in turn. At the time of measurement, the clock input is grounded.

switching characteristics, $V_{CC} = 5 \text{ V}$, $T_A = 25^{\circ} \text{ C}$ (see note 3)

PARAMETER	FROM (INPUT)	TO (OUTPUT)	TEST CONDITIONS	MIN	TYP	MAX	UNIT
f_{max}				2.5	3		MHz
t_{PLH}	PRE or CLR	Q or \bar{Q}	$R_L = 4 \text{ k}\Omega$, $C_L = 50 \text{ pF}$		35	75	ns
t_{PHL}	PRE or CLR (CLK high)	\bar{Q} or Q		60	150	ns	
	PRE or CLR (CLK low)			200			
t_{PLH}	CLK	Q or \bar{Q}		10	35	75	ns
t_{PHL}				10	60	150	ns

NOTE 3: See General Information Section for load circuits and voltage waveforms.

3

TTL DEVICES