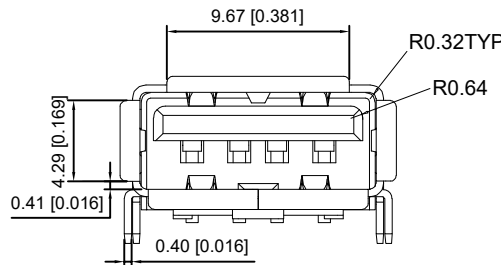
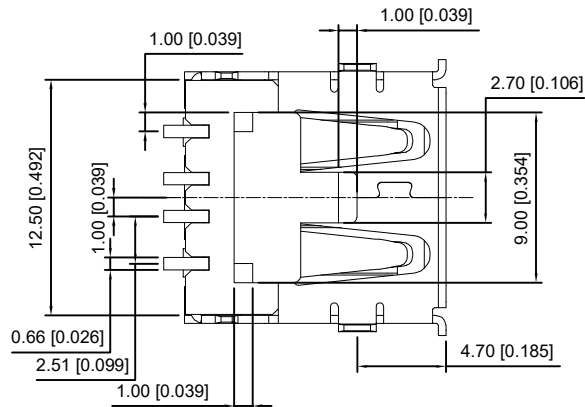
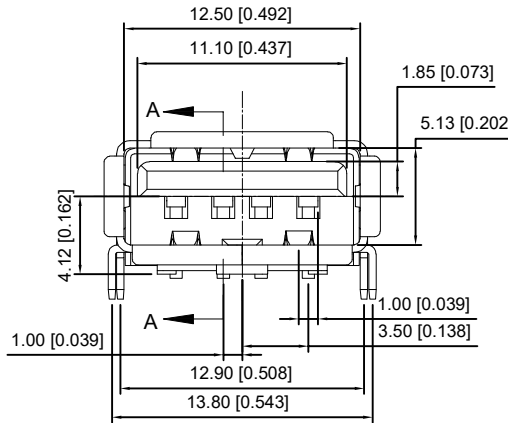
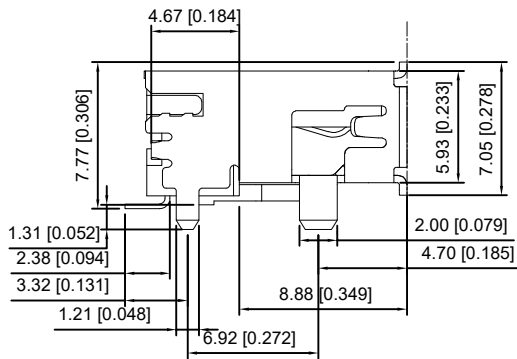


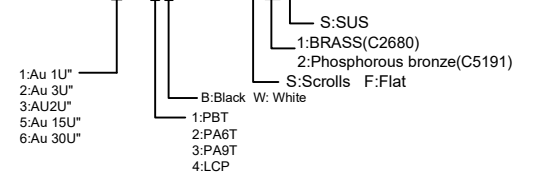
RECOMMENDED PCB LAYOUT
(THICKNESS=1.2mm,TOLERANCE:±0.05)

说明 Notes:

- ELECTRICAL 电气:**
Current Rating 额定电流:1.5Amp
Contact resistance 接触电阻:30m Ohm Max
Insulator resistance 绝缘电阻:1000 MEGA ohms MIN
Withstanding Voltage 耐电压:500V AC/Minute
- Material 材质:**
Plastic 胶芯:LCP, UL94V-O BLACK
Terminal 端子:黄铜 (C2680)/磷铜 (C5191)
Shell 外壳:不锈钢(SUS304)
- electroplate 电镀:**
Terminal 端子:电镀:接触区镀镍底50u"Min,后镀钯镍30u"Min.及镀金Min,其它区镍底50u"Min. 镀锡152u"fin
Shell 外壳:镀镍底40u"Min后镀雾锡120Min
- Integral insertion force 整体插入力:**<35N, 拔出力>10N
- Glue core and iron shell retention 胶芯与铁壳保持力:**>120N
- Terminal and glue core retention force 端子与胶芯保持力:**>7.8N Min
- Temperature Range 温度范围:**-40°~+85°C



U221-04XN-4BVS15-SXS



MARK	DESCRIPTION	DATE	REVISED	APPROVED	UNSPECIFIED TOLERANCES
					ANGLAR ±5°
ΔX					L ≤ 4 ±0.2
ΔX					4 < L ≤ 16 ±0.3
ΔX					16 < L ≤ 63 ±0.4
MARK					L > 63 ±0.5
REVISIONS					
www.helloxkb.com www.helloxkb.cn www.xk-dg.cn					



XKB INDUSTRIAL PRECISION CO.,LIMITED

DSND	SCALE: N/A	MODEL TYPE: USB 2.0
DWN	VIEW:	PART NO.: U221-04XN-4BVS15-SXS
CHKD	UNIT: mm/in	DWG NO.: X-U221-04XN-4BVS15-SXS
APPD	SIZE: A4	WEIGHT SHEET REVISION
		1/1 A0