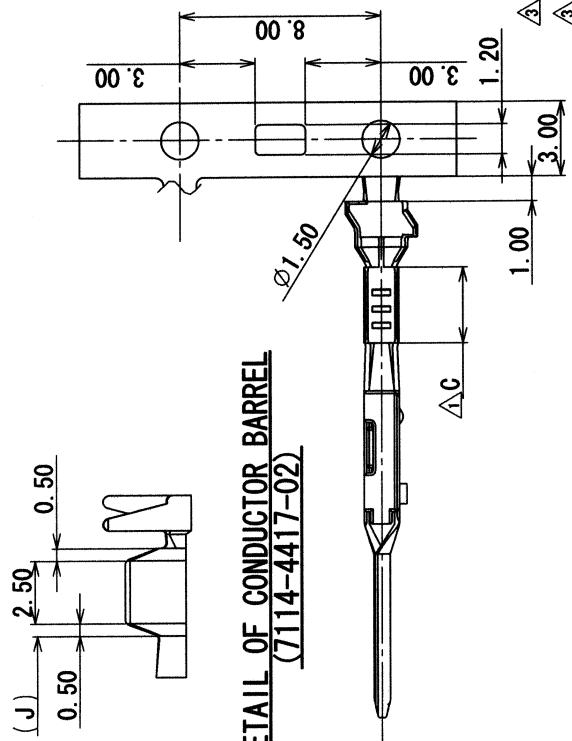
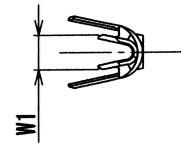
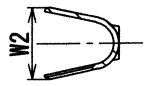


1 2 3

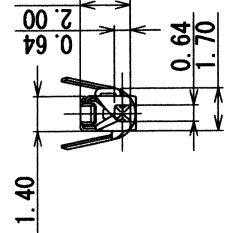


DETAIL OF CONDUCTOR BARREL
(7114-4417-02)

SEC. B-B



SEC. A-A



NOTES

1. FEMALE COUNTERPART NO. : 7116-4415-02, 7116-4416-02, 7116-4417-02
2. APPLICABLE WIRE SEAL PART NO. : 7158-3165-90, 7158-3166-60, 7158-3167-80, 7158-3168-80, 7158-3182-20
3. PART NUMBERS IN PARENTHESIS SHALL BE USED FOR AIR BAG (A/B) CIRCUITS AND OTHER CIRCUITS DESIGNATED FOR SPECIAL MONITORING.

注記

1. 嵌合雌端子品番 : 7116-4415-02, 7116-4416-02, 7116-4417-02
2. 適用ワイヤ品番 : 7158-3165-90, 7158-3166-60, 7158-3167-80, 7158-3168-80, 7158-3182-20
3. ()内品番は、エアバッグ(A/B)回路及び特別管理回路に使用する時に使用すること。

PART NO. AND CH. CODE	ΔC	ΔJ	W1	W2	APPLICABLE WIRE SIZE
7114-4415-02	3.0	1.9	1.49	2.82	(CAVUS) 0.3 (UTW) 0.22~(UTW) 0.35 (CAVS) 0.3 Δ(AESSX) 0.3f (CAVUS) 0.5 (UTW) 0.5 (CAVS) 0.5 Δ(AVSSX) 0.5f Δ(AESSX) 0.5f (CAVUS) 0.85 (UTW) 0.75 (CAVS) 0.85 Δ(AVSSX) 0.75f
7114-4416-02 Δ(7B14-4416-02)	3.0	1.9	1.82	2.94	
7114-4417-02	Δ SEE DWG	1.65	Δ 1.96	3.10	

LET	DATE	REVISION RECORD	NO.	CHKD	H. Y	OFFICE	VENDOR	CUSTOMER PART NO.	CUSTOMER	K. N	CUSTOMER	CUSTOMER DWG NO.	MATL. SPEC.	BRASS (t=0.2)	TREAT. & FIN.	ISSUE MARK
Δ	04.09.03	ADDED PART NO. & NOTES	C04-ZA96													
Δ	02.05.28	CHANGED DIMENSION	C02-X535													
Δ	01.10.30	CHANGED DIMENSION	C01-Y113													
	01.09.10	NEW	C01-X871													
GENERAL TOLERANCE																
	10MAX	50MAX	100MAX	250MAX	2500VR	ANGLE	ECCENT	DWG TYPE	DWG SOURCE	DWG DATE	UNIT	SCL	ANGLE	PART NO.	7114-4415-02 ETC.	
A	±0.15	±0.2	±0.3	±0.5	±0.75	±30'	O.1	R	NEW	01.09.04	mm	5/1	3	CH. CODE		
B	±0.2	±0.3	±0.55	±0.95	±1.4	±30'	O.1	APPROVED	CHECKED	CHECKED	DESIGN	DRAWN		DWG NO.	7114-4415-02:R	SET DWG NO.
⊙	±0.3	±0.5	±0.8	±1.4	±2	±30'	O.15									
SPECIFIED																
APPROVED: <i>H. Okamoto</i> 04.09.06 CHECKED: <i>M. Sugita</i> 04.9.3 DESIGN: <i>K. Nishio</i> DRAWN: <i>MURAKAMI A. PACABIS</i> YOSHIDA ROMEL GAUZA																
04.09.03 01.08.06 04.09.03 YAZAKI CORPORATION																

1 2 3