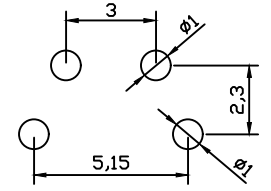
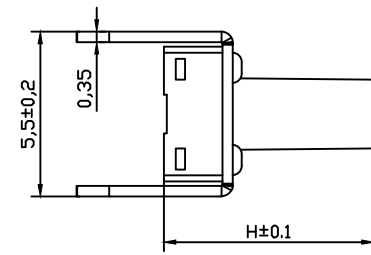
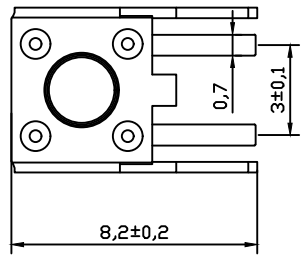
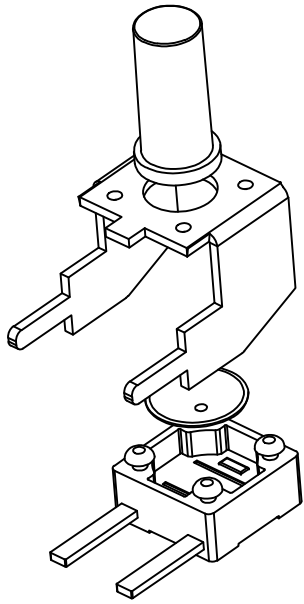


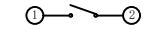
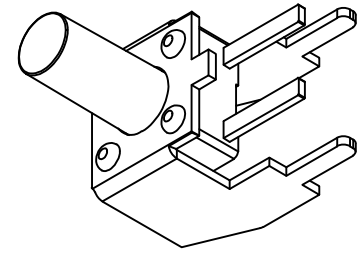
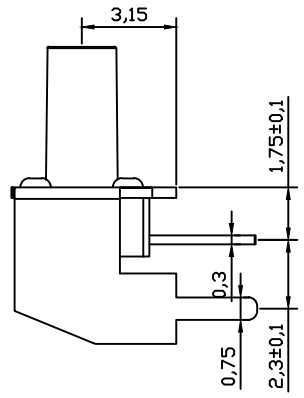
RoHS

CAD GENERATED DRAWING. DON'T CHANGE BY HAND.

REV.	ECN. NO.	APPD.



PCB. WELDING DRAWING



CIRCUIT DIAGRAM

Specification

Operating Life	100,000
Contact rating	50mA@12V DC.
Insulation resistance	100MΩ min
Contact resistance	≤50mΩ
Dielectric Strength	250 V 50HZ(1mm)
Travel	0.2±0.1mm
Storage Temperature	- 30° C to 85° C

Mechanical

Type	Operating Force(gF)	Height mm	Button	Leads Shape(G,J,T)	Ground pin (0,1)	Pegs Option (0,1)
YTS1H025	250±40	S	**	B	T	1
		R	10.5			
		Q	10			
		P	9.5			
		D	9.0			
		N	8.5			
		M	8.0			
		L	7.5			
		K	7.0			
		J	6.5			
		H	6.0			
		G	5.5			
		F	5.0			
		1	160±40			
D	4.5					
C	4.3					
B	3.8					
A	3.5					

ITEM	DESCRIPTION	MATERIAL	QTY	FINISH/COLOR
E	Pin.contact	brass	1	Silver plated
D	base	PPA	1	Temperature 260t (black)
C	reed	Stainless steel	1	Silver coated
B	stents	Cold rolled steel	1	Tin plating
A	button	PPA	1	Temperature 260t (black)

X. ±0.50	X.* ± 2°	UNITS mm
.X ±0.30	.X* ± 1°	
.XX ±0.10	.XX* ± 0.5°	MAT'L /
.XXX ± 0.05		
FINISH /		Q'TY /

yi YUAN 深圳市怡远科技有限公司
SHENZHEN YIYUAN TECHNOLOGY CO.,LTD

PART NO. YTS1H025 TITLE: TACTILE SWITCH 4.5x4.5mm

APPD: ROGER DWG NO.: YTS1H025

CHKD: RDC

DR: BILLY WANG 2020/08/21

SCALE SHEET REV.
1/1 1/1 A1

THESE DRAWINGS AND SPECIFICATIONS ARE THE PROPERTY OF YIYUAN TECHNOLOGY CO.,LTD AND SHALL NOT BE REPRODUCED, COPIED OR USED IN ANY MANNER WITHOUT THE PRIOR WRITTEN CONSENT OF YIYUAN TECHNOLOGY CO.,LTD
Email at info@yiyuanswitches.com